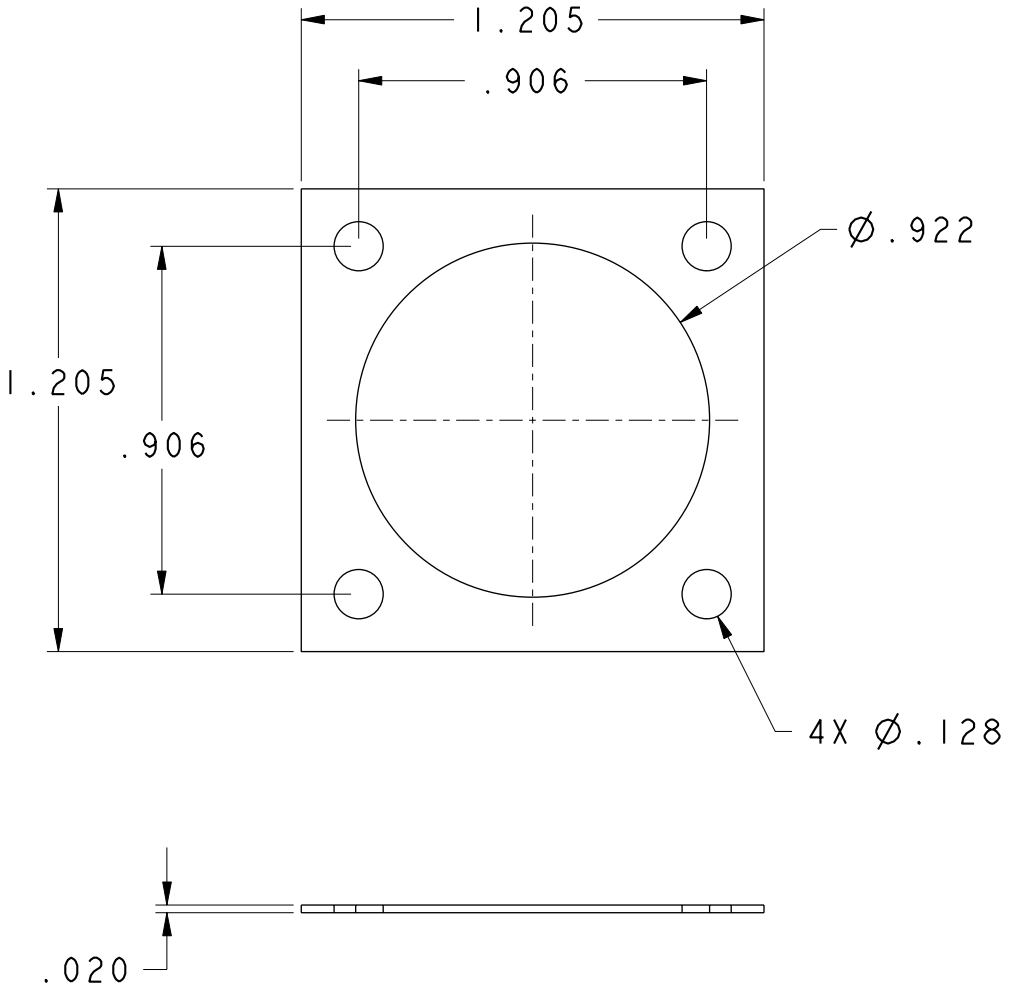


NOTES:

- 1.0 PACKAGING: PARTS PACKED AND SEALED IN PLASTIC BAGS.
- 2.0 IDENTIFICATION: MARK EACH BAG WITH PART NO. QUANTITY, DATE CODE AND LAIRD FED IDENT. NO.



MATERIAL "XX"	TOLERANCES NOT SHOWN		 DELAWARE WATER GAP PENNSYLVANIA	DRAWN BY:	DATE:
	DECIMAL 2 PL'S \pm	.020		SDH	02/18/05
ECE 89 FSIL/Ag/Al	DECIMAL 3 PL'S \pm	.010	CHECKED:	DATE:	
	ANGULAR	\pm 3°	EWS	02/18/05	
	THIRD ANGLE PROJECTION		APPROVED:	DATE:	
	UNITS:	SCALE:	AJP	02/18/05	
CROSS SECTION AREA:	IN ²	INCH [MM]	CUSTOMER LAIRD GERMANY		
		2:1	REF. DWG. NO.	06002874	
CAD MAINTAINED DRAWING. MANUAL CHANGES UNAUTHORIZED.			DWG. NO.	6012-0027-02	REV
			SHEET 1 OF 1		01