

## Flange plate robot application

FLAN-PL FAN-1

Part no...:10.03.01.00390

<https://www.schmalz.com/10.03.01.00390>

Home > Vacuum Technology for Automation > Vacuum Components > Vacuum Generators > Vacuum Generators End-of-Arm > FLAN-PL FAN-1

### Flange plate (round)

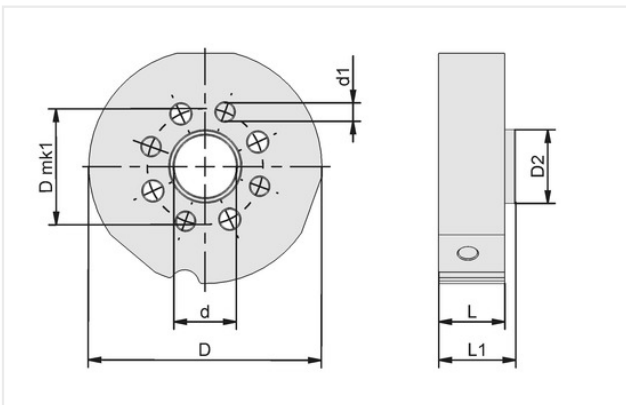


Length L: 18 mm

Type: FAN-1

Type: CR-4iA, CR-7iA

### Design Data



Attribute	Value
d	17 mm
d1	5 mm
D	63.50 mm
D mk1	31.50 mm
D2	20 mm
L	18 mm
L1	21 mm

#### Contact Schmalz

Schmalz Inc. | 5850 Oak Forest Drive, Raleigh, NC 27616, United States | +1 (919) 713-0880 | [schmalz.us@schmalz.com](mailto:schmalz.us@schmalz.com)