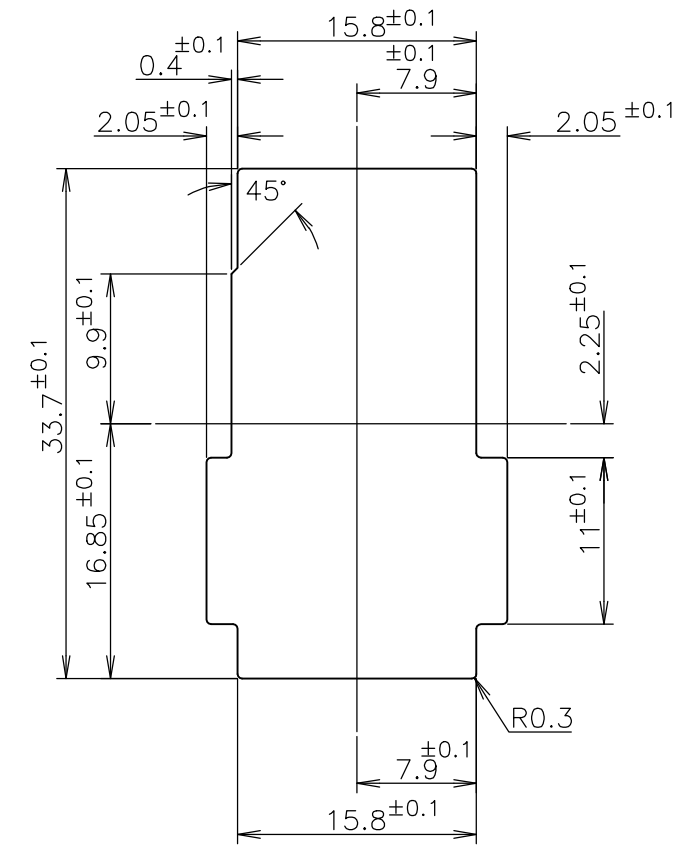
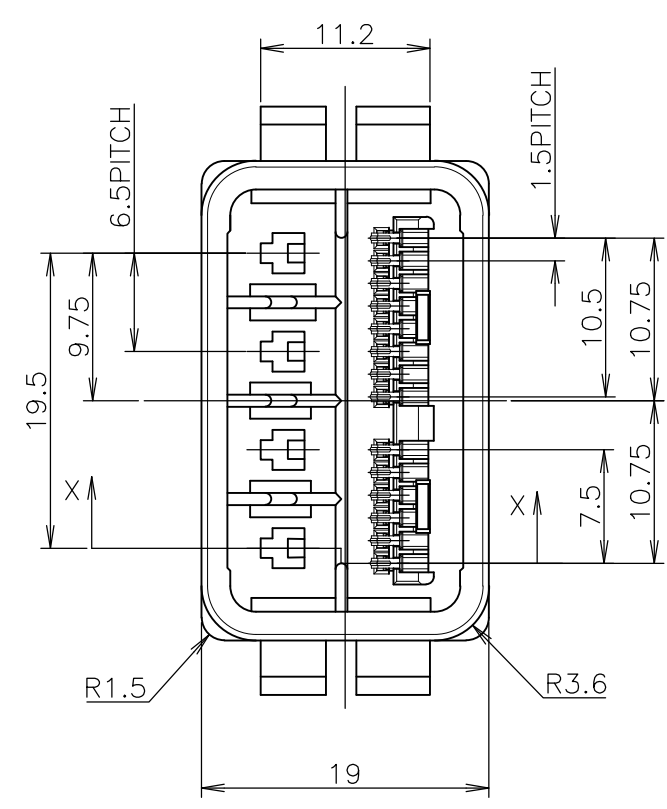
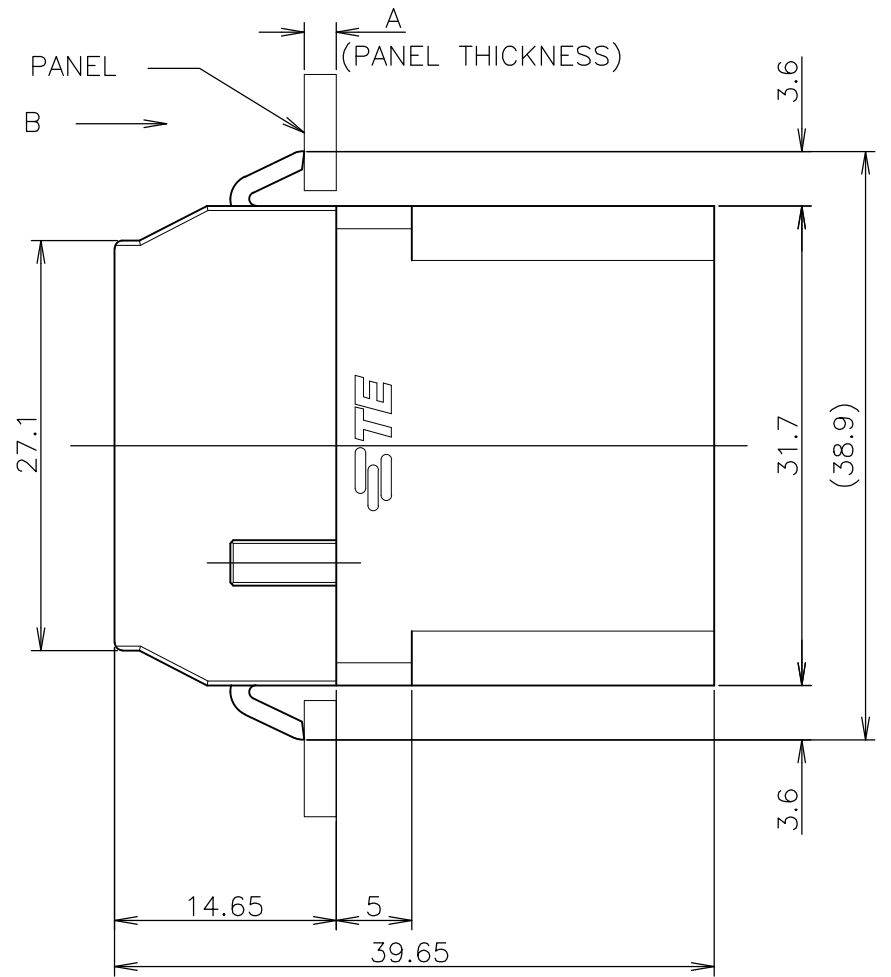
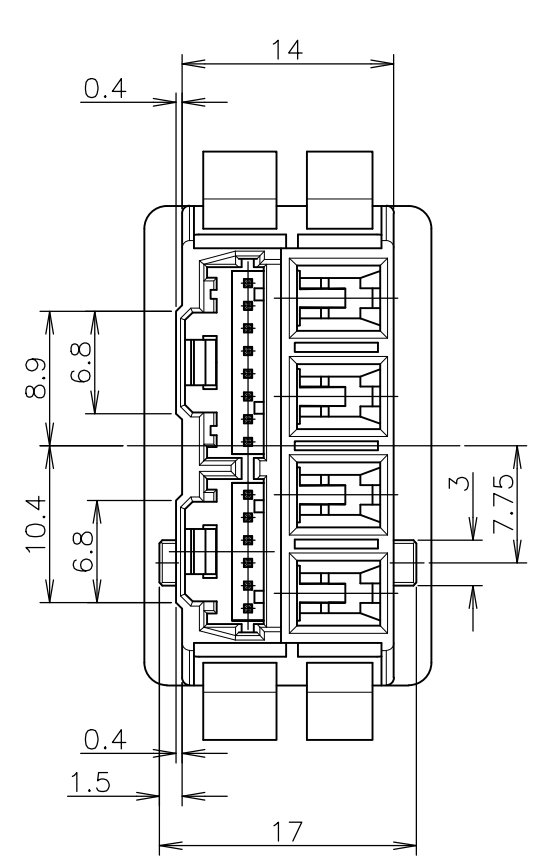
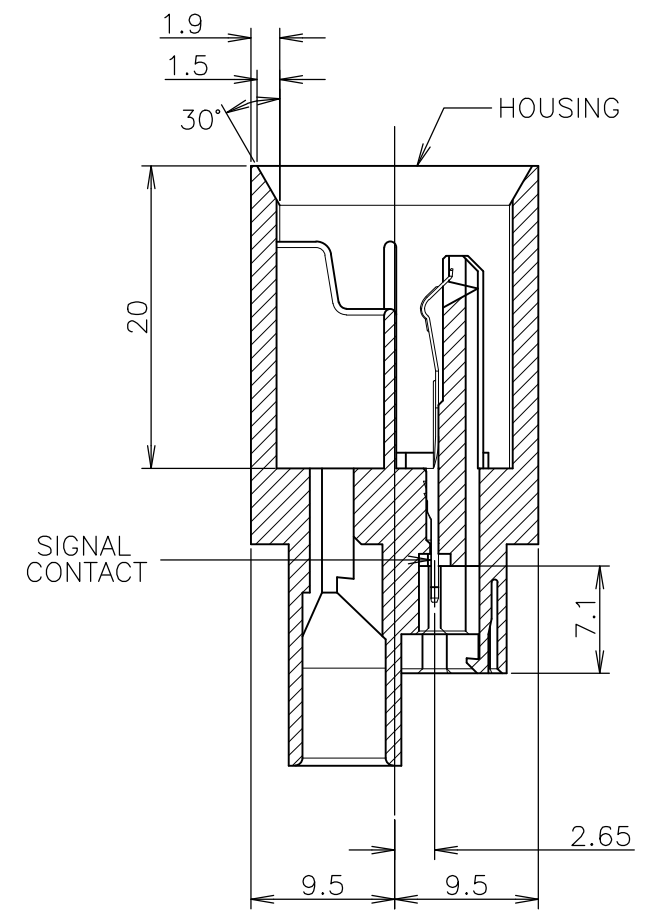


THIS DRAWING IS UNPUBLISHED. RELEASED FOR PUBLICATION
 © COPYRIGHT - TE Connectivity Ltd. ALL RIGHTS RESERVED.

REVISIONS					
変更					
P	LTR	DESCRIPTION	DATE	DWN	APVD
B1		REVISED ECR-13-017099	05NOV2011	W.H	J.J



PANEL CUT DIMENSION(VIEW B)



SEC. X-X

NOTE
 1 GENERAL TOLERANCE : ± 0.3, ± 3°
 2 MATERIAL
 SIGNAL CONTACT : PHOSPHOR BRONZE
 HOUSING : PBT G.F, UL94V-0, COLOR:BLACK

OPTION	1.0± 0.1
OPTION	1.2± 0.1
1981537-1	2.0± 0.1
P/N	DIMENSION "A" (PANEL THICKNESS)

1981537-1:AS SHOWN

THIS DRAWING IS A CONTROLLED DOCUMENT.		DWN M.KATO 17APR2008	TE Connectivity		
DIMENSIONS: 単位: 耗 mm		CHK T.YAMADA 17APR2008			
TOLERANCES UNLESS OTHERWISE SPECIFIED: 一般公差		APVD T.YAMADA 17APR2008	NAME 名称		
0 PLC ±		PRODUCT SPEC 製品規格 108-78473	PLUG ASS'Y FOR 1.5mm PITCH MINI CT SNAP-FIT HYBRID DRAWER CONNECTOR 4-14Pos.		
1 PLC ±		APPLICATION SPEC 取付適用規格	SIZE	CAGE CODE	DRAWING NO 番号
2 PLC ±		MATERIAL 材料	A3	00779	G-1981537
3 PLC ±		FINISH 仕上	RESTRICTED TO		
4 PLC ±		WEIGHT 0.000000	SCALE 尺度 2:1		
ANGLES ±		CUSTOMER DRAWING	SHEET 1 OF 1		
△			REV B1		