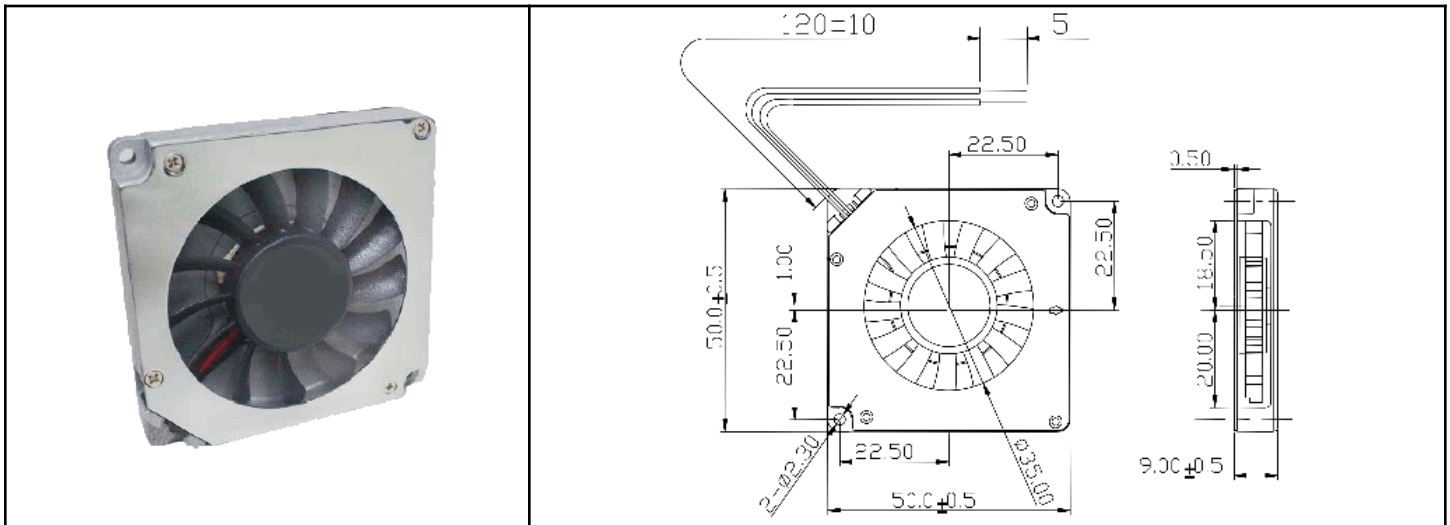


ODB5009 Series



Side Inlet DC Blower
50 x 50 x 09mm



Frame & Impeller	PBT, UL94V-O plastic	Available Options: Additional speeds and volt-ages are available IP55 Environmental protec-tion available by special order.	
Connection	2x Lead wires		
Motor	Brushless DC, auto restart, polarity protected		
Bearing System	ball bearing		
Insulation Resistance	10M ohm between leadwire and frame (500VDC)		
Dielectric Strength	1 second at 500 VAC, max leakage - 500 MicroAmp		
Temperature Range	-10C ~ +70C		
Life (L10)	50,000 hours (45C)		

Model Number	ODB5009-05HB	ODB5009-12HB
Part Number	102541001	102141001
Nominal Voltage	5 VDC	12 VDC
Nominal Current	0.10 A	0.11 A
Rated Power	0.5 W	0.7 W
Rated Speed (RPM)	5000	5000
Airflow (CFM)	3	3
Noise Level (dB)	34	34
Max. Static Pressure	0.31" H2O	0.31" H2O