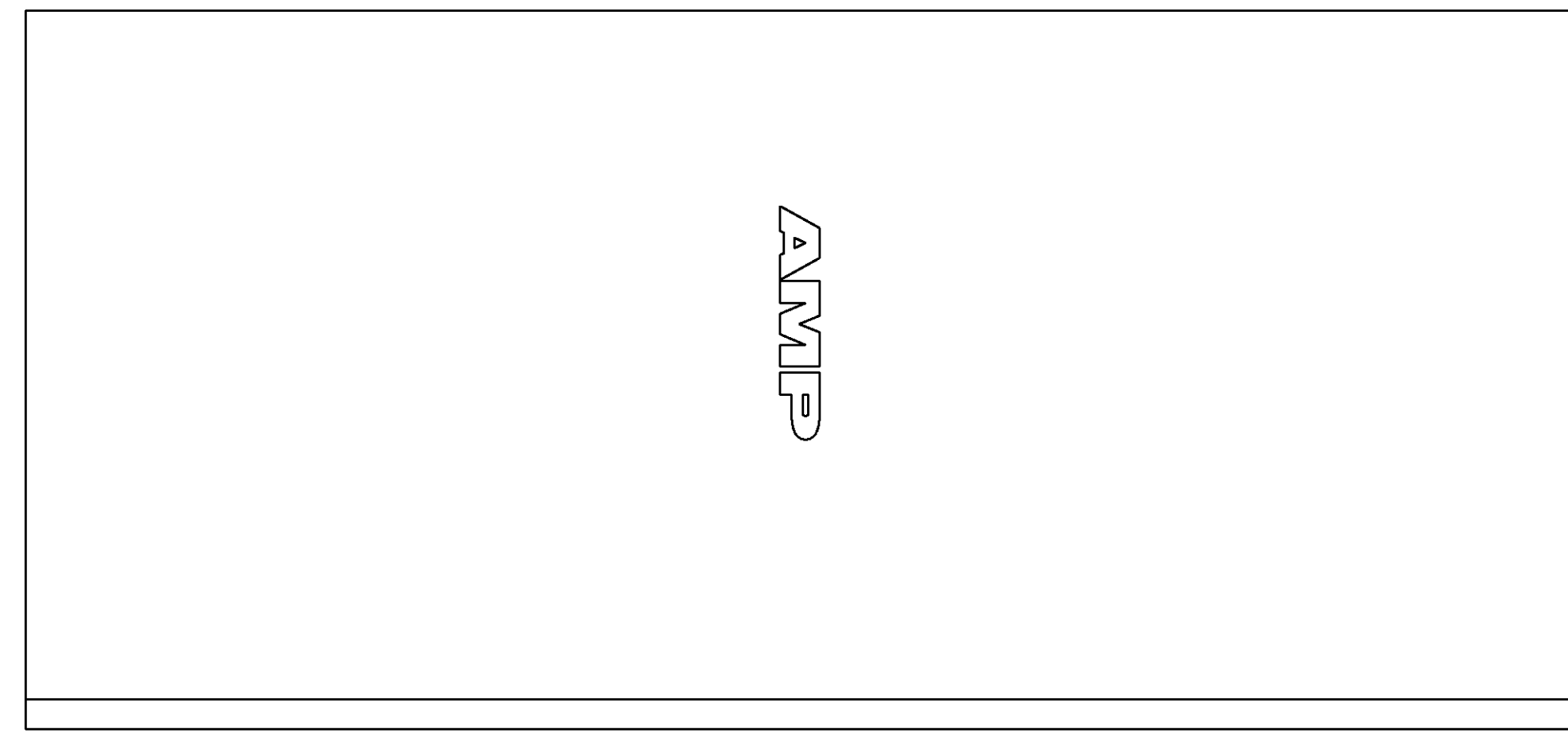
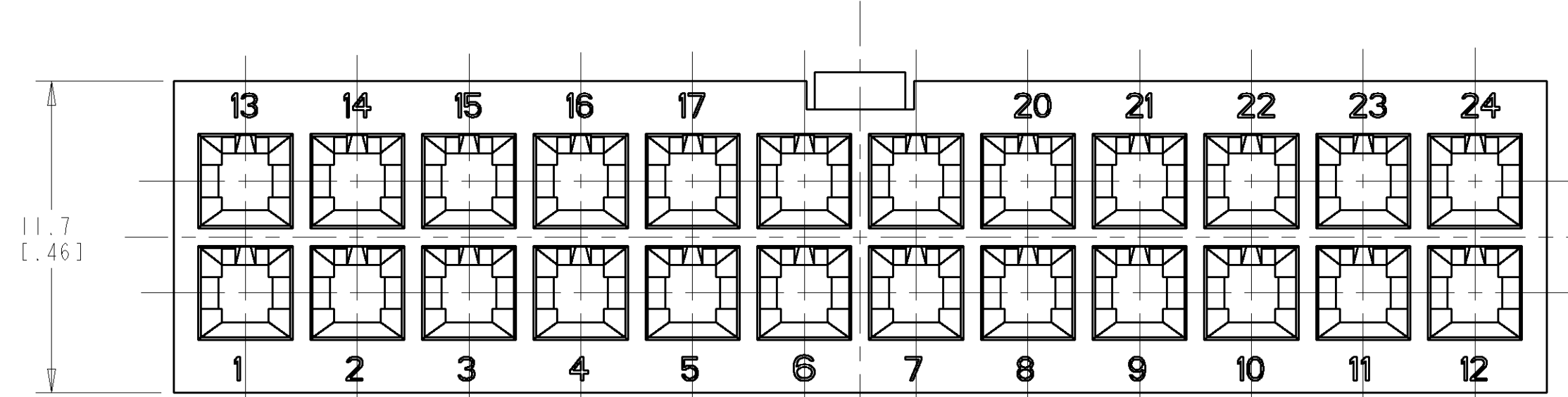
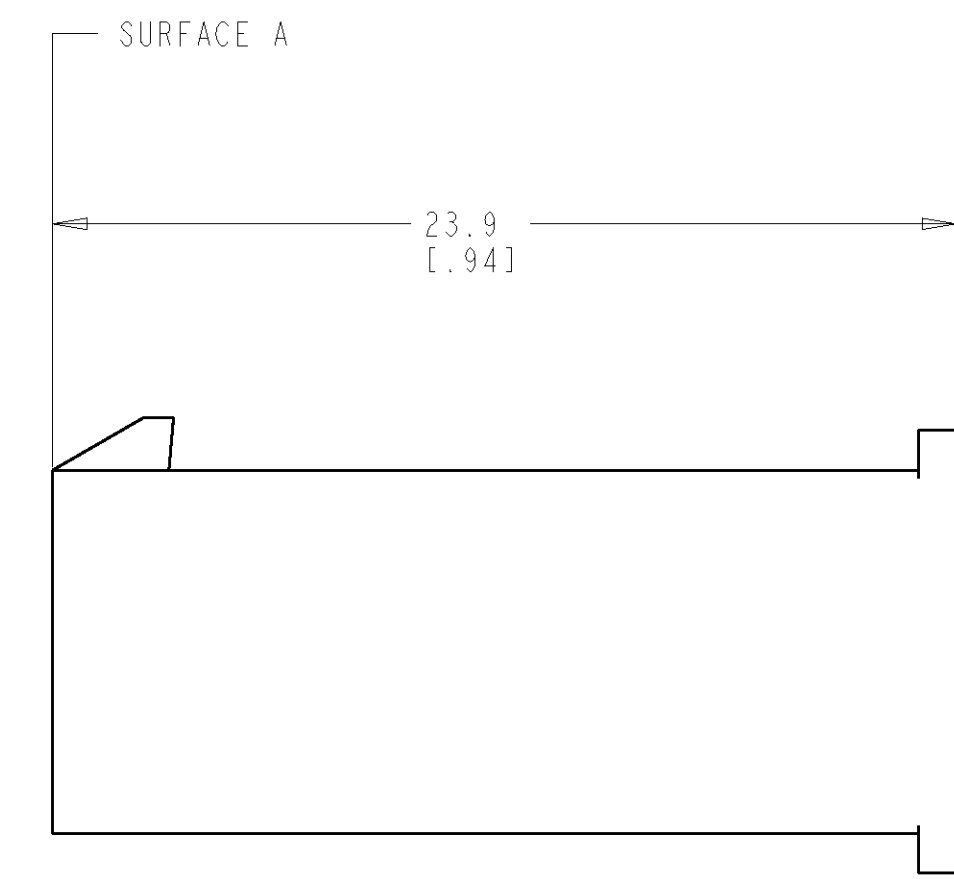
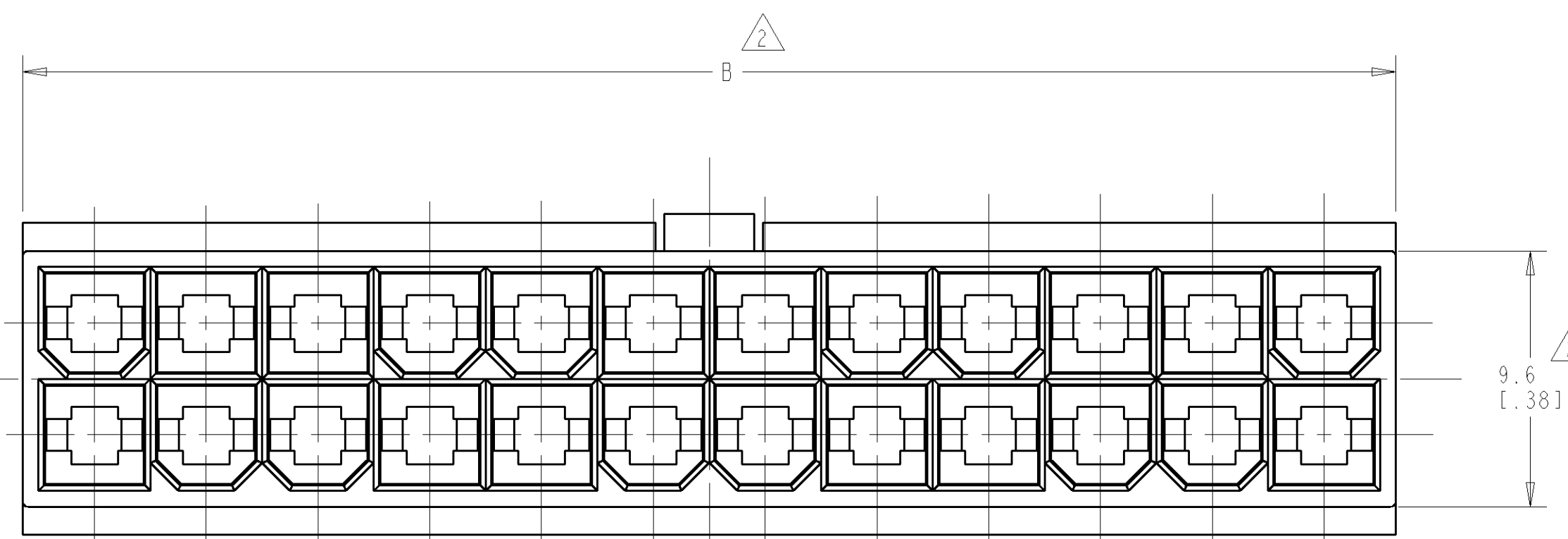
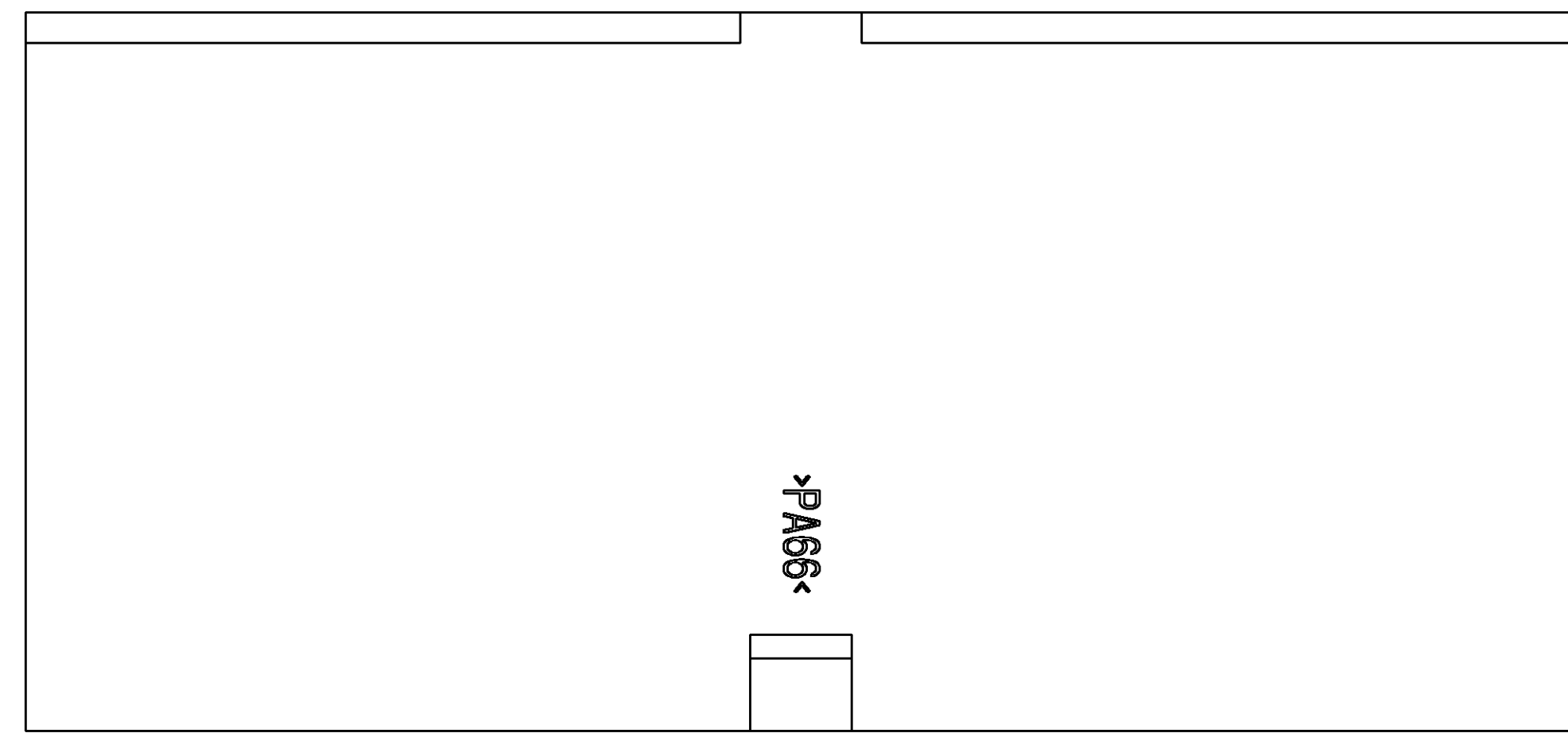
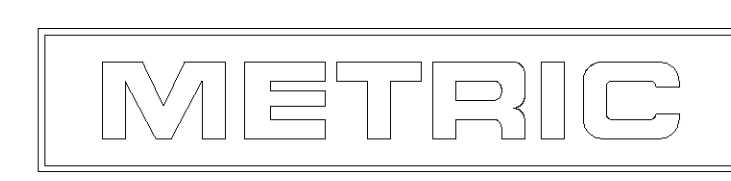


LOC	DIST	REVISIONS			
		REV	DATE	BY	APPD
CM	53	0	RLSD PER PR CM 99-27	26MAR1999	RV RS

- △ NYLON, UL94V-2, NATURAL.
- △ DIMENSION TO BE CHECKED AT SURFACE A.
- 3. DIMENSIONS IN BRACKETS ARE IN INCHES.
- 4. MALE CONTACTS MUST BE INSERTED SO THAT THE TOP OF THE WIRE AND INSULATION CRIMPS ARE FACING THE SIDE OF THE HOUSING WITH THE LOCKING LATCH.



B	NO. OF POSITIONS	PART NUMBER
51.6 [2.032]	24	2-794542-4
47.4 [1.866]	22	2-794542-2
43.2 [1.701]	20	2-794542-0
39 [1.535]	18	1-794542-8
34.8 [1.370]	16	1-794542-6
30.6 [1.205]	14	1-794542-4
26.4 [1.039]	12	1-794542-2
22.2 [0.874]	10	1-794542-0
18 [0.709]	8	794542-8
13.8 [0.543]	6	794542-6
9.6 [0.378]	4	794542-4
5.4 [0.213]	2	794542-2



<small>THIS DRAWING IS A CONTROLLED DOCUMENT FOR AMP INCORPORATED. ALL CONTACTS TO OTHERS AND THE CONTROLLED ENGINEERING ORGANIZATION SHOULD BE CONTACTED FOR THE LATEST REVISION.</small>		DWN R VESTAL 16MAR99 CHK R SWING 16MAR99 APPO C CASH 16MAR99	AMP Incorporated Harrisburg, PA 17105-3608
DIMENSIONS: mm [INCHES]	TOLERANCES UNLESS OTHERWISE SPECIFIED: 0 PLC ± 1 PLC ±0.21 (01) 2 PLC ± 3 PLC ± 4 PLC ± ANGLES ±0° 30'	PRODUCT SPEC APPLICATION SPEC WEIGHT CUSTOMER DRAWING	AMP NAME: PLUG, FREE HANGING, 2 TO 24 POSITION, AMP-DUACT™ POWER CONNECTOR SIZE: A1 CAGE CODE: 00779 DRAWING NO: 794542 SCALE: 4:1 SHEET: 1 OF 1 REV: 0