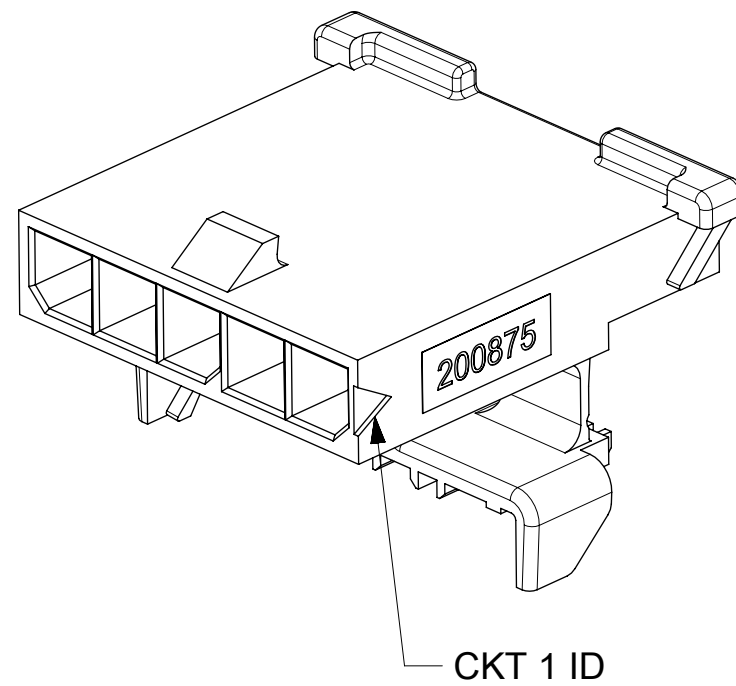
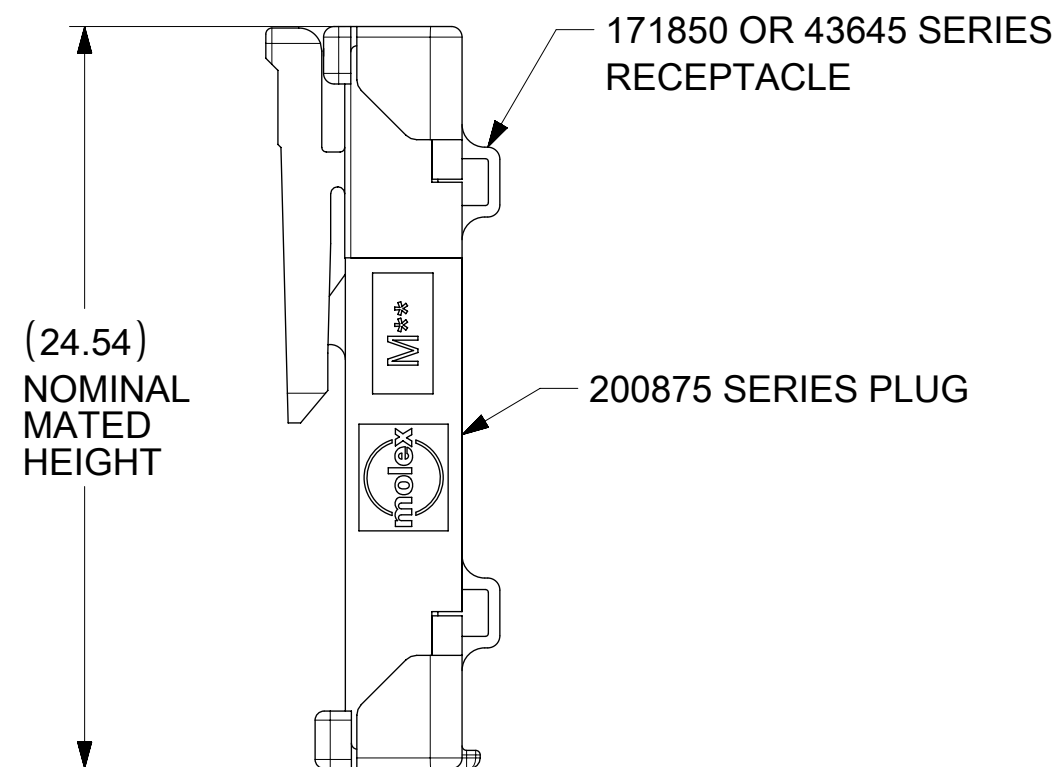
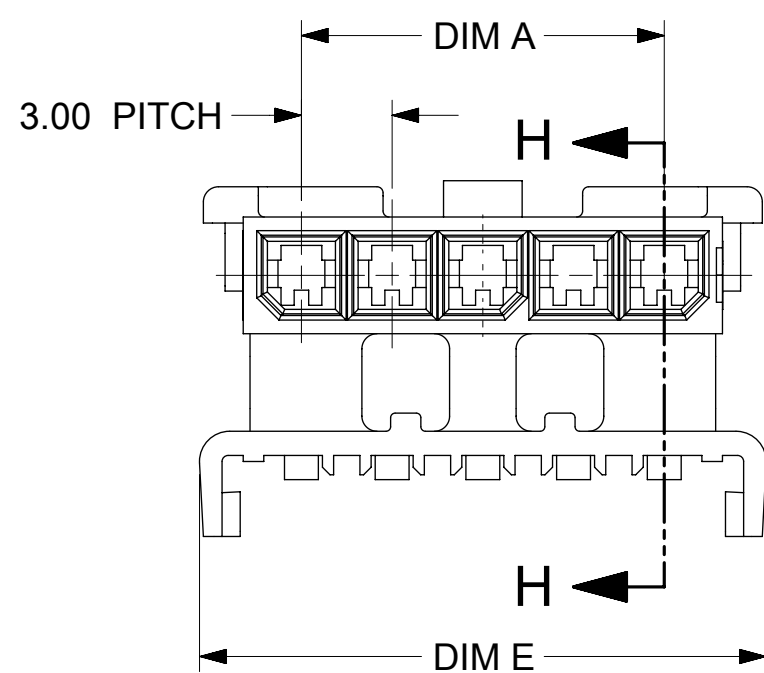
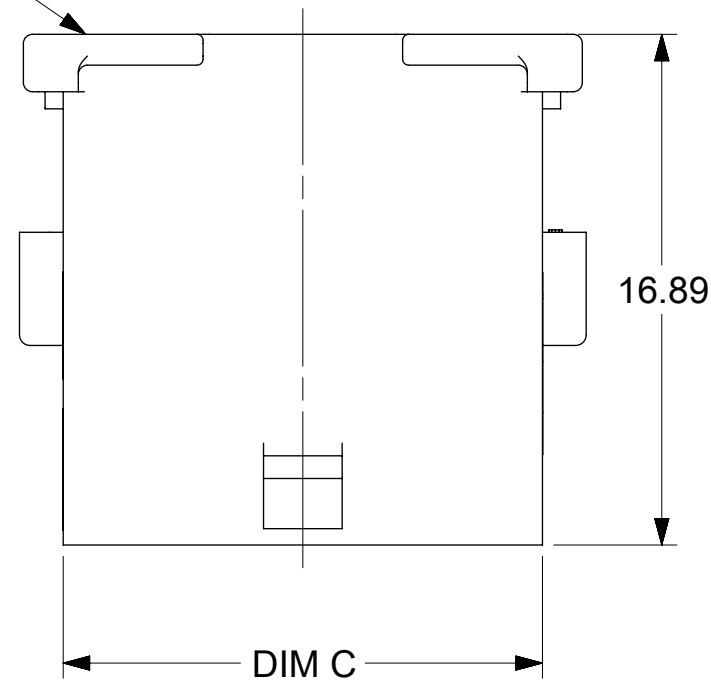
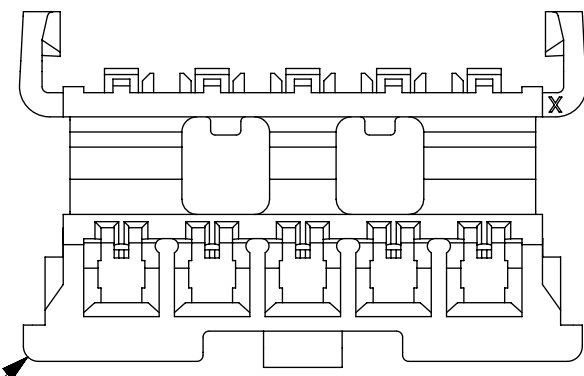


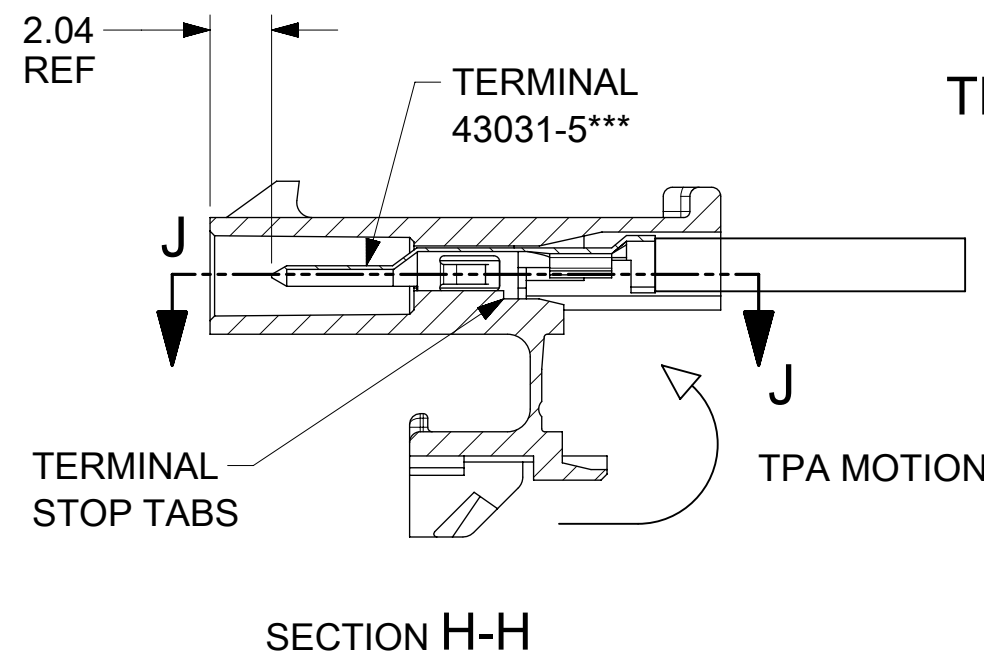
2008750005
SHOWN
AS MOLDED



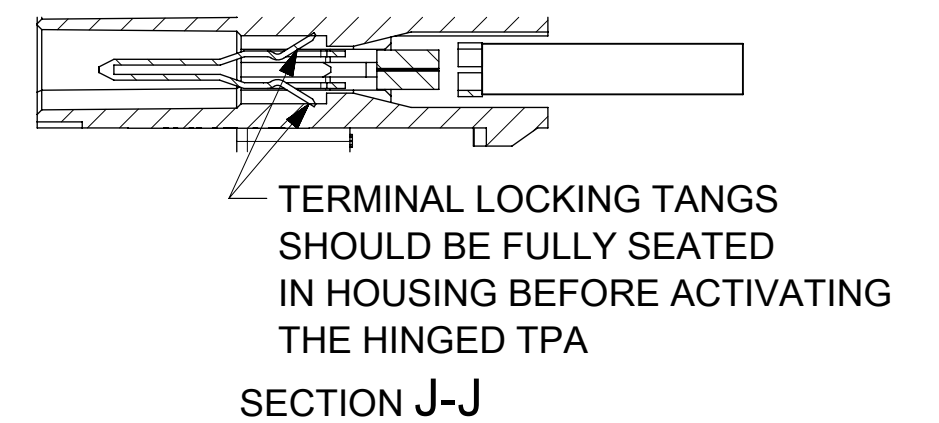
FREE HANGING OPTION

NOTES:

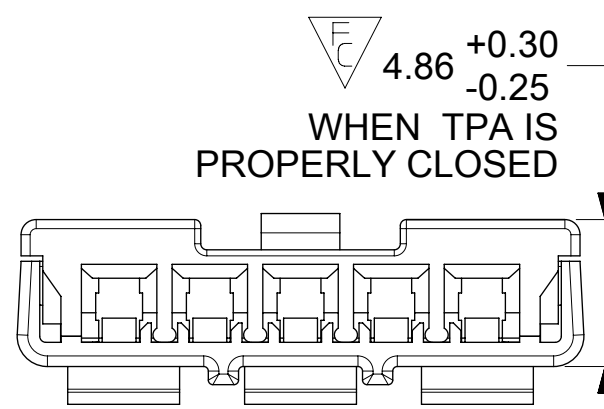
1. MATERIAL
"A": NYLON, V-0 LOW HALOGEN, COLOR: BLACK
"B": NYLON, V-0, IEC 60335-1 GLOW WIRE CAPABLE, COLOR: BLACK
2. FINISH: NONE
3. PRODUCT SPECIFICATION: PS-43650
4. PACKAGING SPECIFICATION: 2008750000-PK
5. THIS HOUSING TO BE USED WITH MOLEX MALE TERMINAL NUMBERS 430315***.
6. THIS PART MATES WITH MOLEX SERIES 171850 AND 43645.
7. THIS PART CONFORMS TO CLASS 'B' REQUIREMENTS OF COSMETIC SPECIFICATION PS-45499-002.
8. REFER TO AS-45499-001 FOR MOISTURIZING NYLON CONNECTOR PARTS.
9. PRODUCT MUST BE USED WITH TPA INSTALLED.
10. TPA IS INTENDED FOR ONE TIME USE.
11. INTENDED FOR USE WITH 20-30 AWG WIRES ONLY.
12. SOME HOUSINGS MAY HAVE A SMALL GATE BLEMISH NEAR THE GATE THAT DOES NOT AFFECT FUNCTIONALITY.
13. CIRCUIT SIZES 6 TO 12 HAVE ADDITIONAL TPA LATCHING GEOMETRY NEAR THE CENTER OF THE PART THAT MUST BE FULLY ENGAGED FOR TPA TO BE PROPERLY CLOSED.
14. PLUG DESIGNED FOR 1.57 TO 2.30 THICK STAMPED PANEL OR PRINTED CIRCUIT BOARD.
15. PANEL MOUNT FEATURES MUST LOCK ON SIDE OPPOSITE PUNCH SIDE FOR OPTIMUM RETENTION.
16. TEXT ON PART IS FOR REFERENCE ONLY. TEXT AND TEXT LOCATION MAY VARY DEPENDING ON PART NUMBER AND/OR TOOL.



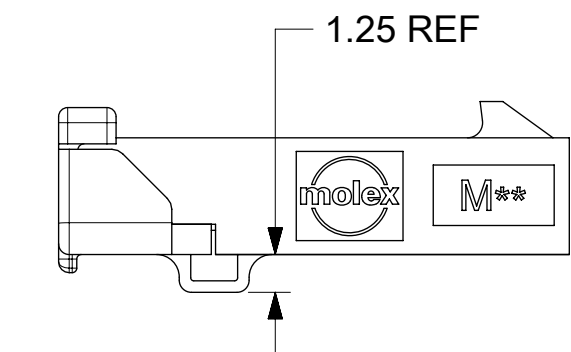
TPA OPEN



SECTION H-H



TPA CLOSED



CIRCUIT SIZE	DIM A	DIM C	DIM E
2	3.00	6.85	9.74
3	6.00	9.85	12.74
4	9.00	12.85	15.74
5	12.00	15.85	18.74
6	15.00	18.85	21.74
7	18.00	21.85	24.74
8	21.00	24.85	27.74
9	24.00	27.85	30.74
10	27.00	30.85	33.74
11	30.00	33.85	36.74
12	33.00	36.85	39.74

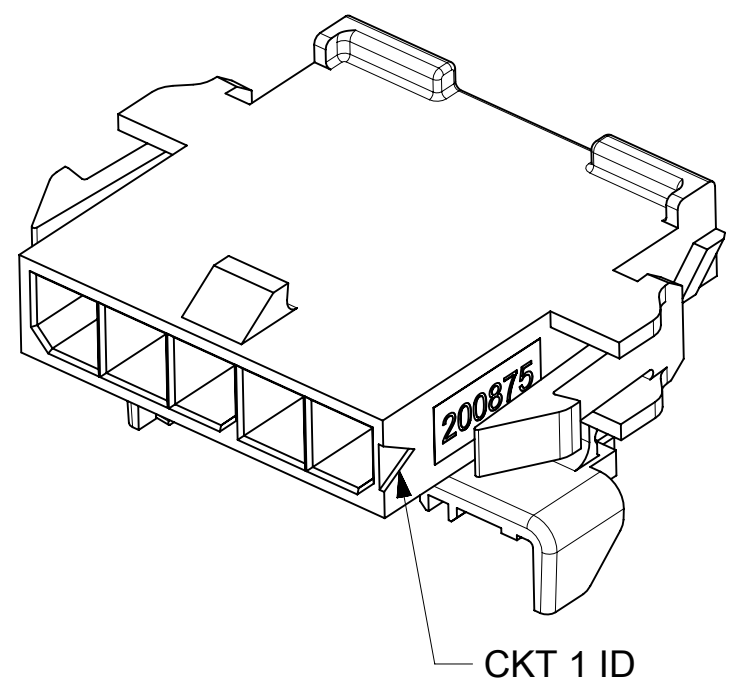
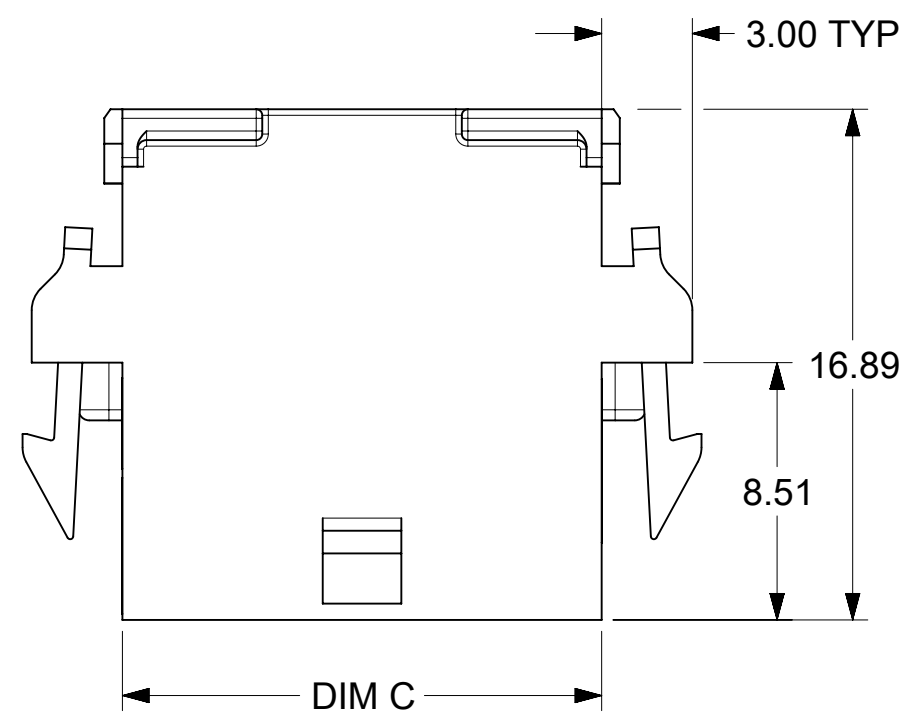
FUNCTIONAL SYMBOLS				THIS DRAWING CONTAINS INFORMATION THAT IS PROPRIETARY TO MOLEX ELECTRONIC TECHNOLOGIES, LLC AND SHOULD NOT BE USED WITHOUT WRITTEN PERMISSION			
DIMENSION UNITS		SCALE		CURRENT REV DESC: ADD 8CKT AND GW OPTION			
mm		4:1		EC NO: 682217 DRWN: MKIPPER 2020/11/13 CHK'D: SSOUSEK 2022/09/06 APPR: FSMITH 2022/09/07			
GENERAL TOLERANCES (UNLESS SPECIFIED)							
ANGULAR TOL ± °				INITIAL REVISION: DRWN: TGREGORI 2017/01/05 APPR: RHODGE 2017/01/06			
4 PLACES ±							
3 PLACES ±				DOCUMENT NUMBER 2008750000-SD			
2 PLACES ± 0.25							
1 PLACE ± 0.35				DOC TYPE DOC PART REVISION PSD 000 D2			
0 PLACES ±							
DRAFT WHERE APPLICABLE MUST REMAIN WITHIN DIMENSIONS		THIRD ANGLE PROJECTION		DRAWING SERIES		MATERIAL NUMBER CUSTOMER SHEET NUMBER	
		C-SIZE 200875		SEE TABLE GENERAL MARKET		1 OF 3	

molex

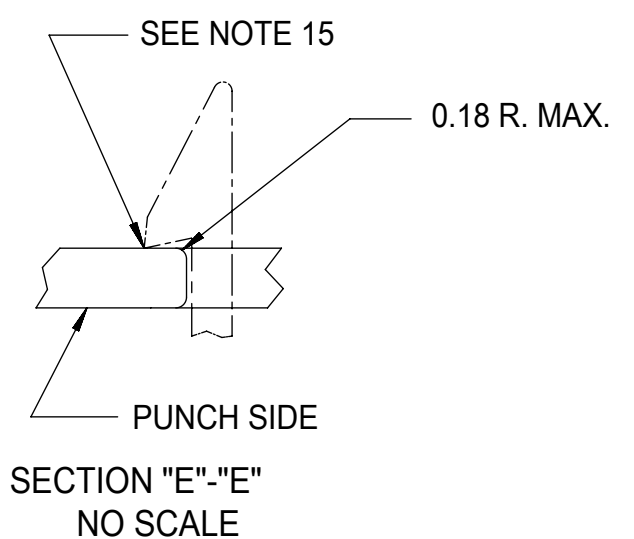
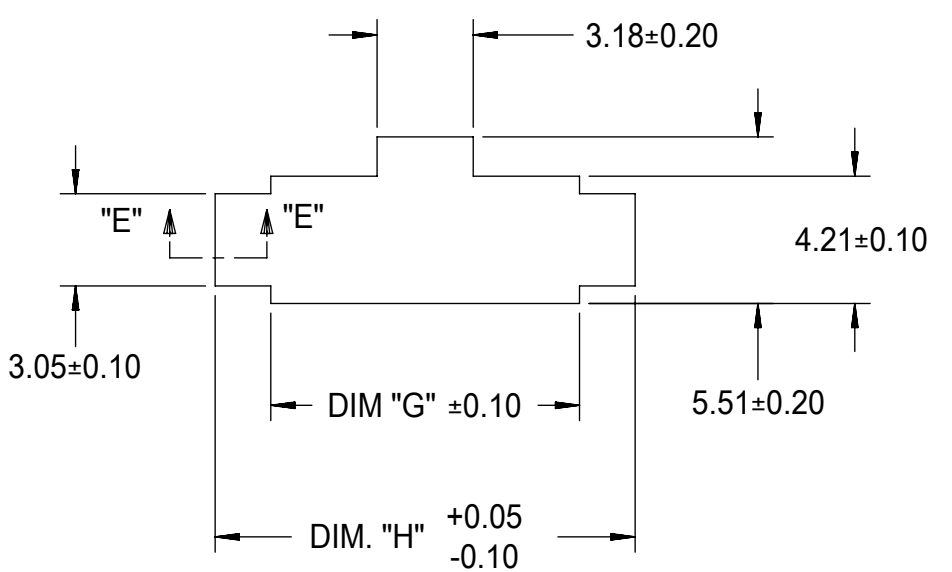
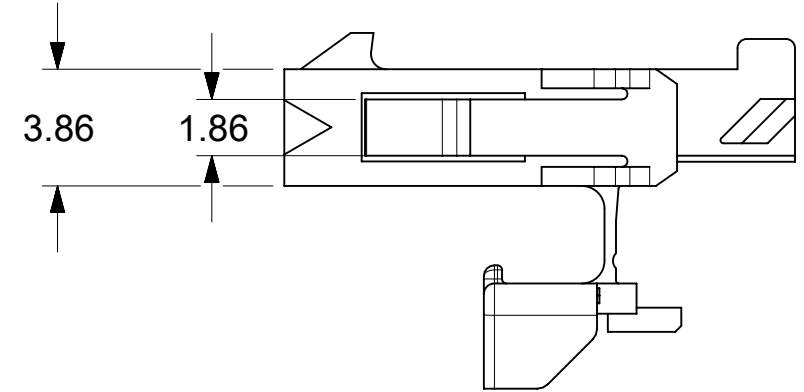
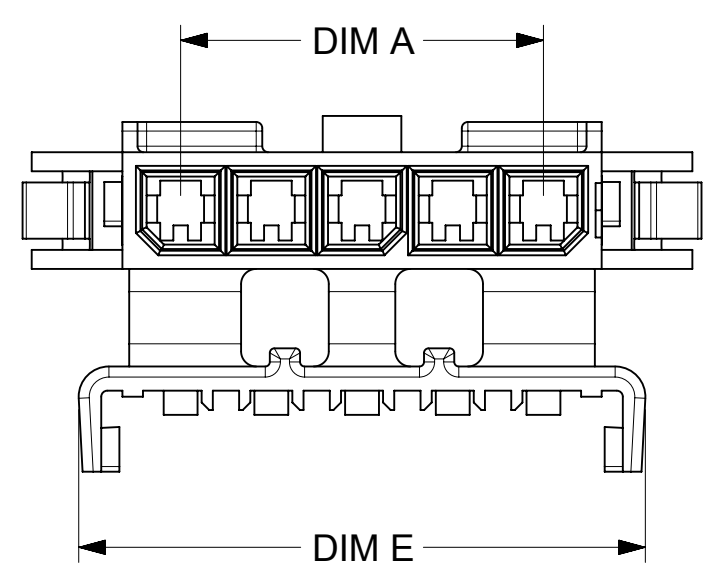
MICRO-FIT TPA SINGLE ROW PLUG HOUSING

PRODUCT CUSTOMER DRAWING

MICRO FIT SINGLE ROW TPA PLUG WITH PANEL MOUNT



PANEL MOUNTED OPTION



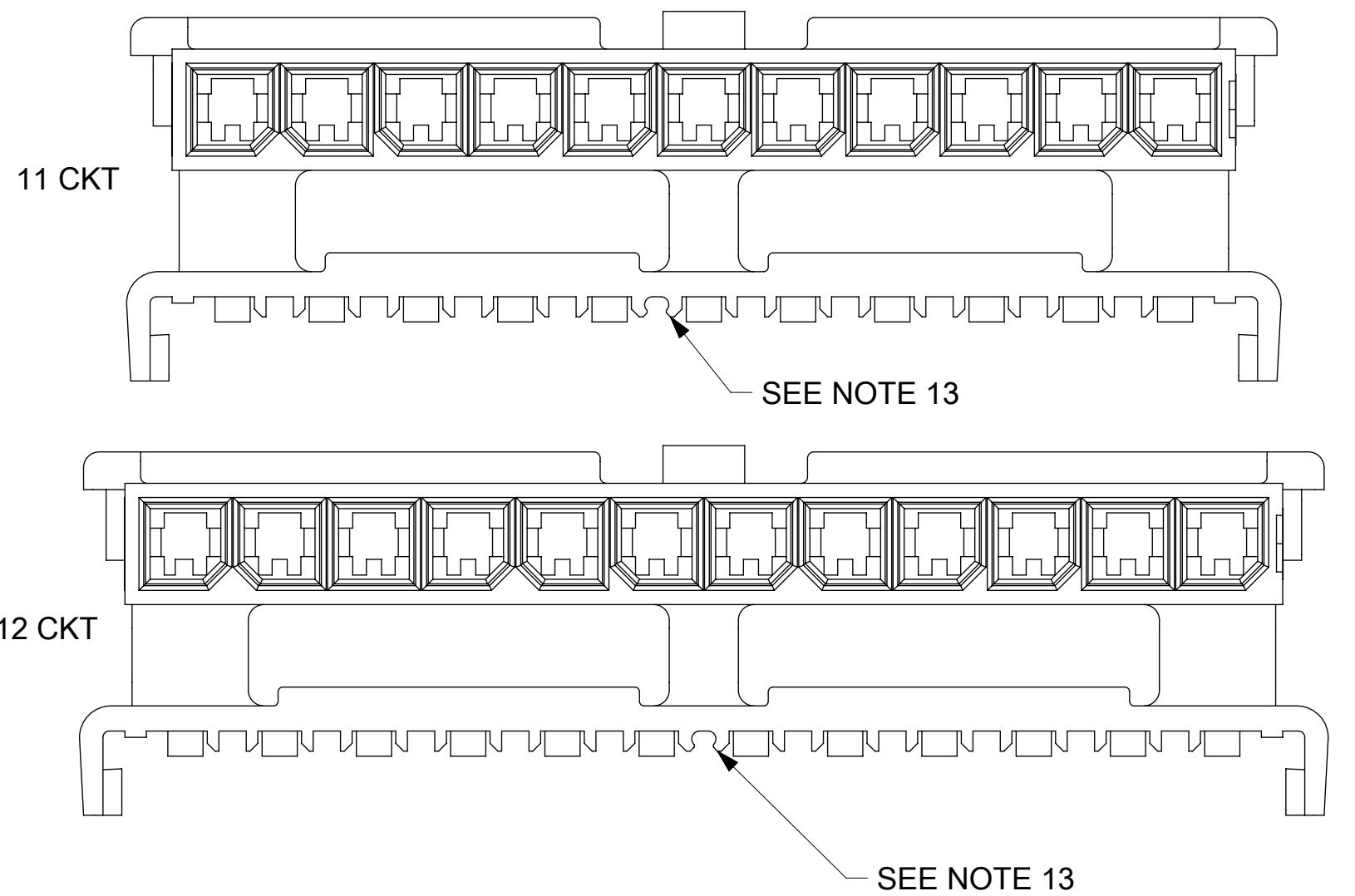
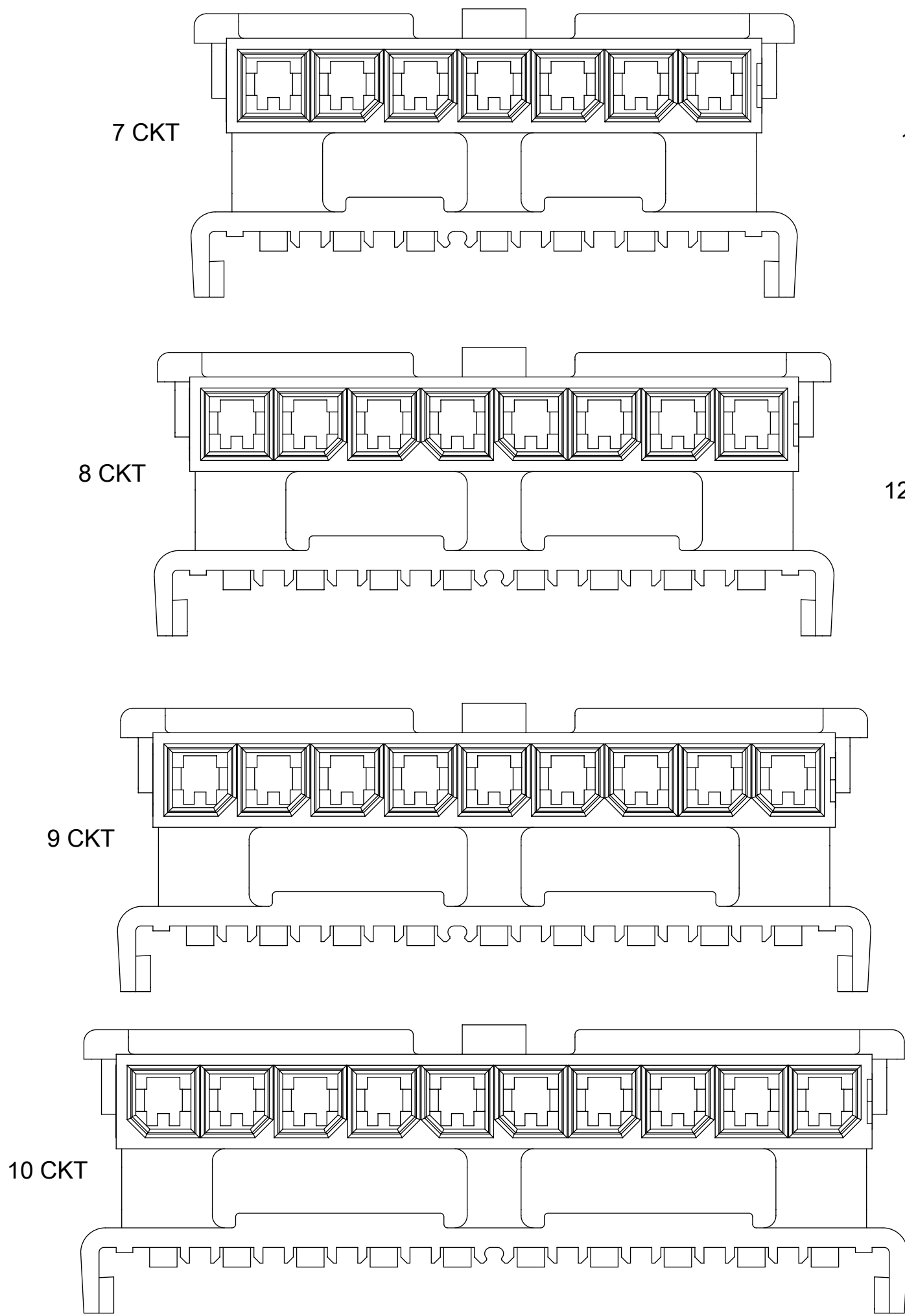
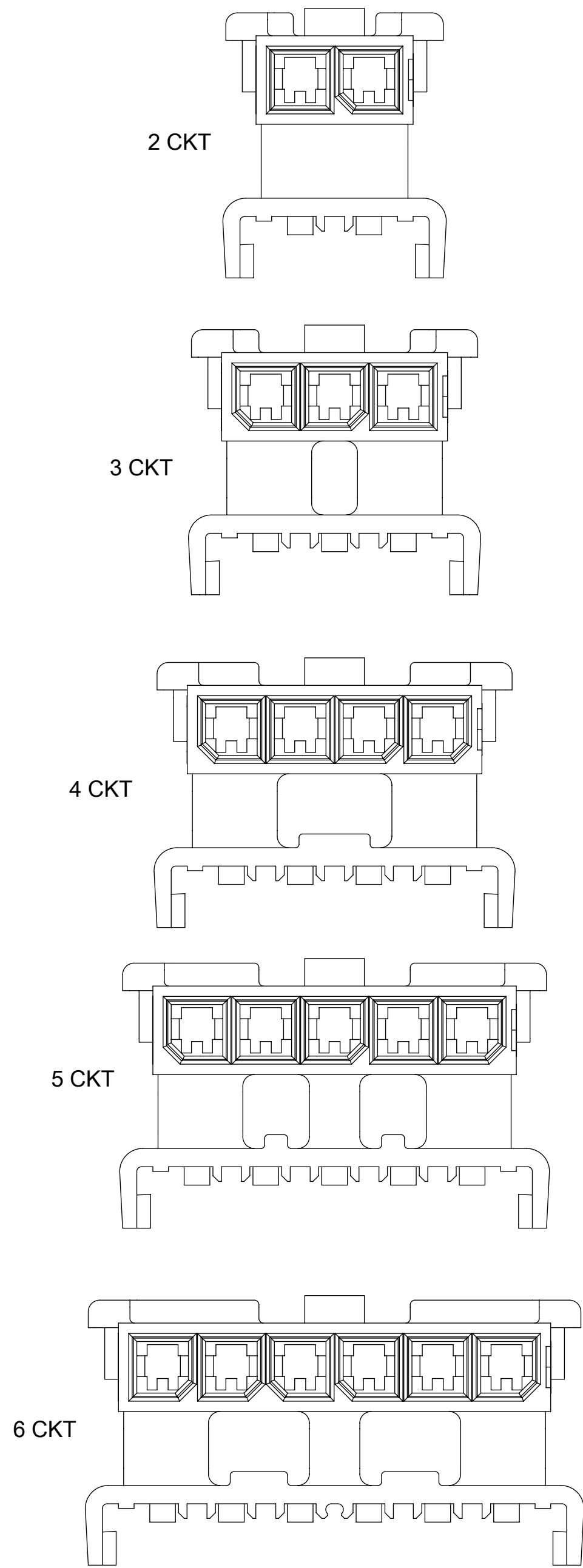
RECOMMENDED PANEL CUT-OUT (SEE NOTES 14 AND 15)

CIRCUIT SIZE	TOOL STATUS	MATERIAL "A" V-0 LOW HALOGEN		MATERIAL "B" V-0 GLOW WIRE	
		FREE HANGING PART NUMBER	PANEL MOUNTED PART NUMBER	FREE HANGING PART NUMBER	PANEL MOUNTED PART NUMBER
		2	TOOLED	2008750002	2008750102
3	2008750003	2008750103		2008751003	2008751103
4	2008750004	2008750104		2008751004	2008751104
5	2008750005	2008750105		2008751005	2008751105
6	2008750006	2008750106		2008751006	2008751106
7	2008750007	2008750107		2008751007	2008751107
8	2008750008	2008750108		2008751008	2008751108
9	2008750009	2008750109		2008751009	2008751109
10	NOT TOOLED	2008750010	2008750110	2008751010	2008751110
11		2008750011	2008750111	2008751011	2008751111
12		2008750012	2008750112	2008751012	2008751112

CIRCUIT SIZE	DIM A	DIM C	DIM E	DIM G	DIM H
2	3.00	6.85	9.74	7.21	10.89
3	6.00	9.85	12.74	10.21	13.89
4	9.00	12.85	15.74	13.21	16.89
5	12.00	15.85	18.74	16.21	19.89
6	15.00	18.85	21.74	19.21	22.89
7	18.00	21.85	24.74	22.21	25.89
8	21.00	24.85	27.74	25.21	28.89
9	24.00	27.85	30.74	28.21	31.89
10	27.00	30.85	33.74	31.21	34.89
11	30.00	33.85	36.74	34.21	37.89
12	33.00	36.85	39.74	37.21	40.89

FUNCTIONAL SYMBOLS FA = 0 FC = 0 FP = 0	THIS DRAWING CONTAINS INFORMATION THAT IS PROPRIETARY TO MOLEX ELECTRONIC TECHNOLOGIES, LLC AND SHOULD NOT BE USED WITHOUT WRITTEN PERMISSION		CURRENT REV DESC: ADD 8CKT AND GW OPTION		<p>MICRO-FIT TPA SINGLE ROW PLUG HOUSING</p> <p>PRODUCT CUSTOMER DRAWING</p>
	DIMENSION UNITS	SCALE	EC NO: 682217		
	mm	4:1	DRWN: MKIPPER	2020/11/13	
	GENERAL TOLERANCES (UNLESS SPECIFIED)		CHK'D: SSOUSEK	2022/09/06	
ANGULAR TOL ± °		APPR: FSMITH	2022/09/07	DOCUMENT NUMBER	
4 PLACES ±		INITIAL REVISION:		2008750000-SD	
3 PLACES ±		DRWN: TGREGORI	2017/01/05	DOC TYPE	DOC PART
2 PLACES ± 0.25		APPR: RHODGE	2017/01/06	PSD	000
1 PLACE ± 0.35		THIRD ANGLE PROJECTION		REVISION	
0 PLACES ±		DRAWING		D2	
DRAFT WHERE APPLICABLE MUST REMAIN WITHIN DIMENSIONS		C-SIZE	SERIES	MATERIAL NUMBER	CUSTOMER
			200875	SEE TABLE	GENERAL MARKET
				SHEET NUMBER	
				2 OF 3	

POLARIZATION LAYOUT



THIS DRAWING CONTAINS INFORMATION THAT IS PROPRIETARY TO MOLEX ELECTRONIC TECHNOLOGIES, LLC AND SHOULD NOT BE USED WITHOUT WRITTEN PERMISSION											
FUNCTIONAL SYMBOLS	DIMENSION UNITS	SCALE	CURRENT REV DESC: ADD 8CKT AND GW OPTION								
$\nabla_A = 0$	mm	5:1	molex MICRO-FIT TPA SINGLE ROW PLUG HOUSING PRODUCT CUSTOMER DRAWING								
$\nabla_C = 0$	GENERAL TOLERANCES (UNLESS SPECIFIED)										
$\nabla_P = 0$	ANGULAR TOL \pm °		EC NO: 682217			2020/11/13			DOCUMENT NUMBER		
4 PLACES \pm			DRWN: MKIPPER			2022/09/06			2008750000-SD		
3 PLACES \pm			CHK'D: SSOUSEK			2022/09/07			DOC TYPE DOC PART REVISION		
2 PLACES \pm 0.25			APPR: FSMITH			2022/09/07			PSD 000 D2		
1 PLACE \pm 0.35			INITIAL REVISION:			2017/01/05			MATERIAL NUMBER		
0 PLACES \pm			DRWN: TGREGORI			2017/01/06			CUSTOMER		
DRAFT WHERE APPLICABLE MUST REMAIN WITHIN DIMENSIONS			THIRD ANGLE PROJECTION			DRAWING			SHEET NUMBER		
						C-SIZE			200875		
						SERIES			GENERAL MARKET		
									3 OF 3		