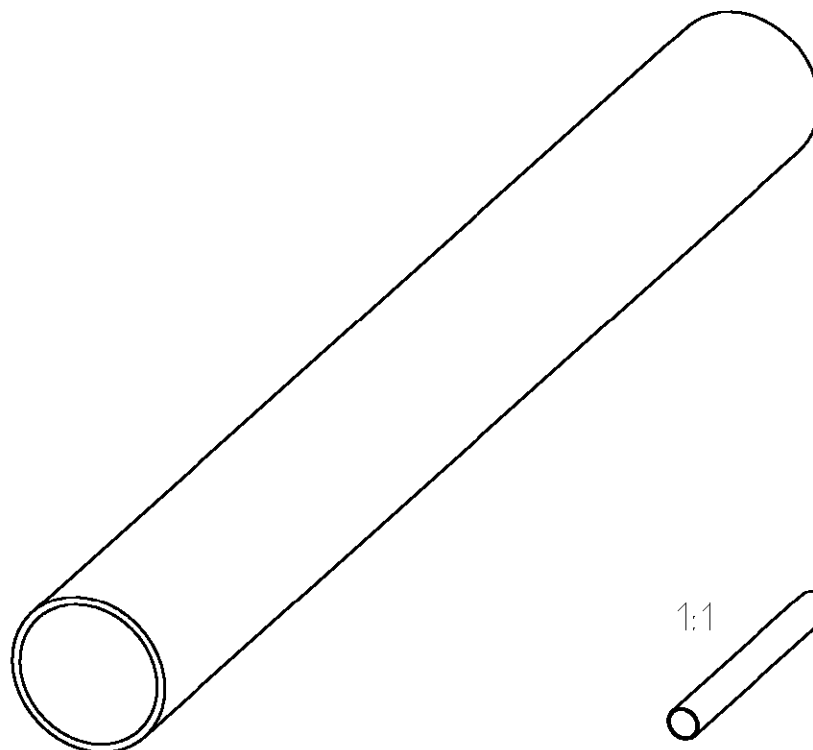


LOC	DIST	REVISIONS			
P	LTR	DESCRIPTION	DATE	DWN	APVD
A1	-				
	A	EGCO-0208-04	28JUL2004	ZA	-



GEWICHT : ~1g

2003

RELEASED FOR PUBLICATION

THIS DRAWING IS UNPUBLISHED.

BY TYCO ELECTRONICS CORPORATION. ALL RIGHTS RESERVED.

© COPYRIGHT 2003

DIMENSIONS:		DWN	06OCT2004	MATERIAL	-	FINISH	-
mm		CHK	-	tyco Electronics AMP GmbH D - 64625 Bensheim			
TOLERANCES UNLESS OTHERWISE SPECIFIED:		APVD	-				
0 PLC	±	PRODUCT SPEC	-	NAME TUBE Rohr			
1 PLC	±	APPLICATION SPEC	-				
2 PLC	±	WEIGHT	-	SIZE	A 4	CAGE CODE	00779
3 PLC	±			DRAWING NO	C=4-1579007-7		RESTRICTED TO
4 PLC	±						-
ANGLES	±°			CUSTOMER DRAWING			SCALE
							5:1
							SHEET
							1
							OF
							1
							REV
							A