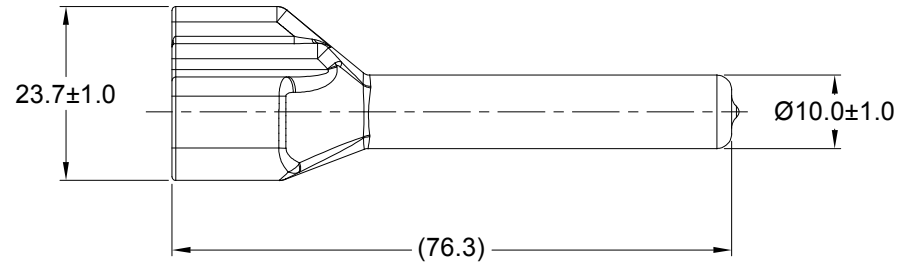
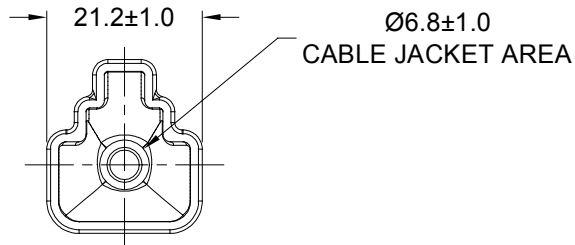
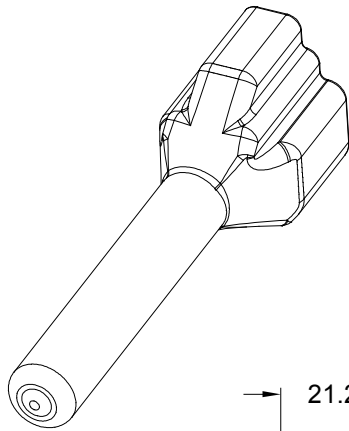


REVISIONS					
REV	ECO	DESCRIPTION	DATE	BY	APPR
A1	-	RELEASE NUMBER	13MAR20	BROOK	TOMMY



PART NUMBER CHART	
COLOR	PART NUMBER
GREY	ATP2S-BT
BLACK	ATP2S-BT-BK
YELLOW	ATP2S-BT-YW

SEE PART NUMBER CHART		REF: DTP2S-BT, DTP2S-BT-BK, DTP2S-BT-YW			
PART NUMBER		DESCRIPTION			
QUANTITY	<b>MATERIALS LIST</b>			ITEM	
<b>UNLESS OTHERWISE SPECIFIED</b> 1) All dimensions are in metric(mm). 2) Tolerances are as follows: 1 PL DEC ±0.30 2 PL DEC ±0.15 3 PL DEC ±0.08 Fractions ±1/64 Angles ±1° 3) Note reference =		<b>SIGNATURES</b> DRAWN: <b>BROOK.DING</b> CHECKED: <b>ORION.LI</b> ENGINEER: APPROVAL: <b>TOMMY.XIE</b>		<b>DATE</b> 13MAR20 16MAR20 18MAR20	
MATERIAL SPECIFICATIONS:		CUSTOMER:		<h1>Amphenol</h1> Sine Systems - www.amphenol-sine.com 44724 Morley Drive Clinton Township, MI 48036	
PVC		THIS DRAWING IS SUPPLIED FOR INFORMATION ONLY. DESIGN FEATURES, SPECIFICATIONS AND PERFORMANCE DATA SHOWN HEREON ARE THE PROPERTY OF THE AMPHENOL CORPORATION. NO RIGHTS OF REPRODUCTION ARE IMPLIED. ALL DIMENSIONS ARE SUBJECT TO NORMAL MANUFACTURING VARIATIONS.			
PROCESS SPECIFICATIONS:		NEXT ASS'Y:		SIZE <b>A</b> TYPE <b>C-</b> DWG NO: <b>ATP2S-BT-XX</b> REVISION <b>A1</b>	
SCALE: NONE				SHEET 1 OF 1	

NOTES: UNLESS OTHERWISE SPECIFIED

- THIS PART IS USED ON ATP06-2S PLUG WITH ANY MODIFICATION THAT DOES NOT INCLUDE AN END CAP.
- TEMPERATURE RATING : -29°C TO +100°C [-20°F TO +212°F]
- ALL DIMENSIONS ARE FOR REFERENCE USE ONLY.