

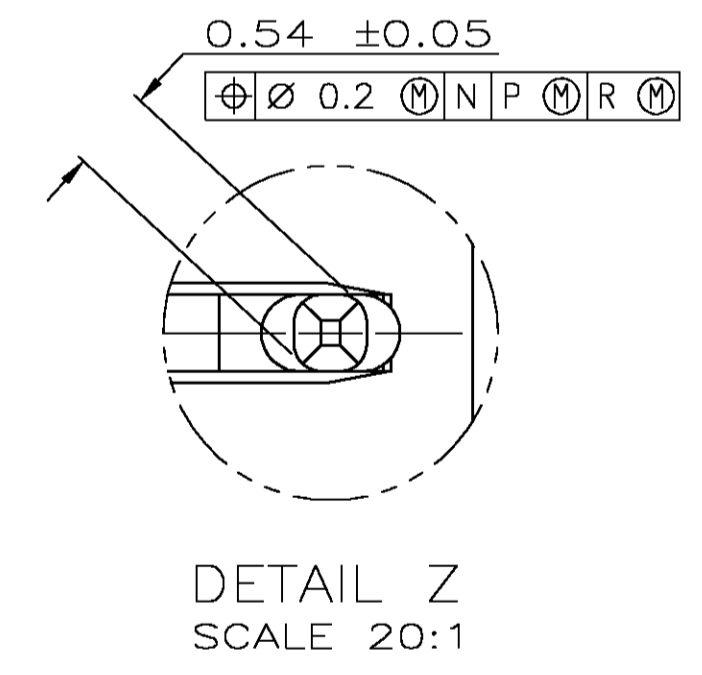
RECOMMENDED CIRCUIT PATTERN
 PER IPC-D300 TYPE II, CLASS C
 (COMPONENT SIDE)

- ⚠ HOUSING MATERIAL: LIQUID CRYSTAL POLYMER, COLOR: NATURAL.
- ⚠ CONTACT MATERIAL: PHOSPHOR BRONZE PER UNS ALLOY NO. C51100, TEMPER: H04.
- ⚠ CONTACT FINISH:(D)
 UNDERPLATE (ENTIRE CONTACT):
 0.00127 MIN NICKEL PER SAE-AMS-QQ-N-290
 ON MATING SURFACES:
 FLASH GOLD PER ASTM B 488, OVER
 0.00076 MIN PALLADIUM-NICKEL OVER UNDERPLATE, OR
 0.00076 MIN GOLD PER ASTM B 488 OVER UNDERPLATE.
 ON LEADS:
 0.00127 MIN MATTE TIN PER ASTM B 545 OVER UNDERPLATE.
 LUBRICATION (MIN MATING SURFACES):
 SURFACE CONDITIONER AFTER PLATING.
- ⚠ PART MARKING LOCATED APPROXIMATELY AS SHOWN.

ROW	D		AB			AC
	C		AB			AC
	B		AC			AC
	A		AB			AB
	1	2	3	4	5	6
POWER POSITION						
5536626-1						

ROW	D		AC			AC
	C		AB			AB
	B		AB			AB
	A		AC			AC
	1	2	3	4	5	6
POWER POSITION						
5536626-2						

CODE LETTER	MATING POST LENGTH ±0.1	LEAD LENGTH (REF)
AC	8	4.25
AB	7.25	4.25



6	1	10	5	11.88	⚠	8	5536626-2
6	1	10	5	11.88	⚠	8	5536626-1
E	D	C	B	A	FINISH	NO OF POWER POSN	PART NUMBER
THIS DRAWING IS A CONTROLLED DOCUMENT.							
DIMENSIONS: mm [INCHES]		TOLERANCES UNLESS OTHERWISE SPECIFIED:		APVD: D.R. BAECHTLE		Tyco Electronics Corporation	
0 PLC	±	-		10/AUG/95		Harriaburg, Pa 17105-3608	
1 PLC	±	-		10/AUG/95		ASSEMBLY, PIN, POWER, VERTICAL, Z-PACK 2mm FB, 4 ROW, PRESS FIT LEADS, RANDOM SEQUENCED	
2 PLC	±	-	0.13[005]			RESTRICTED TO	
3 PLC	±	-				SIZE: A1 00779 C=5536626	
4 PLC	±	-				WEIGHT: -	
ANGLES	±	-				CUSTOMER DRAWING	
FINISH	±	-				SCALE: 4:1 SHEET: 1 OF 1 REV: 0	