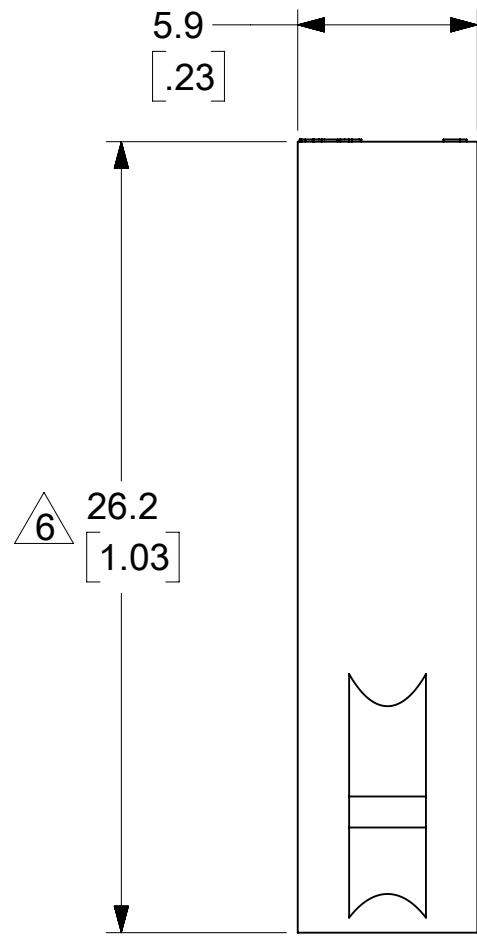
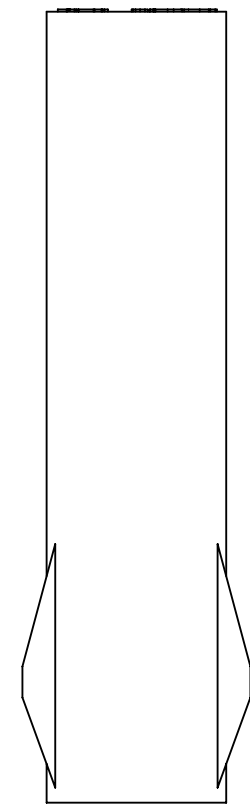
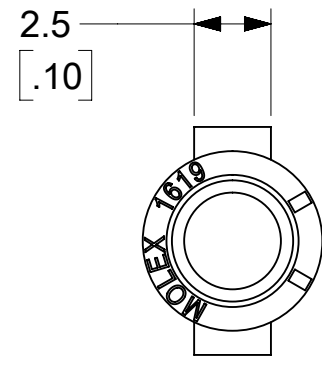
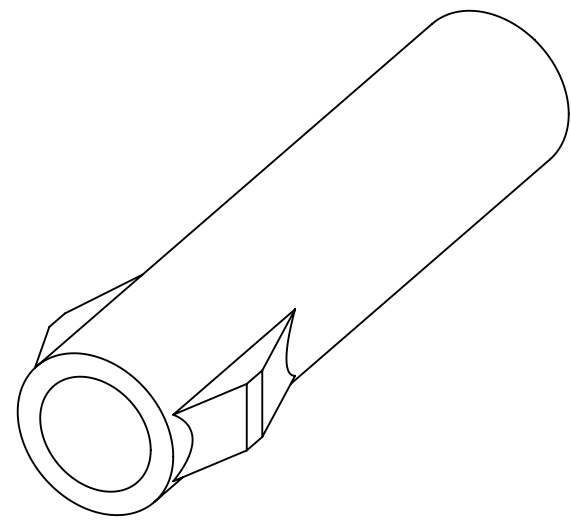
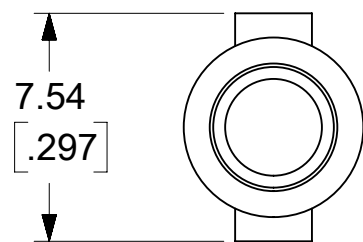


RECEPTACLE

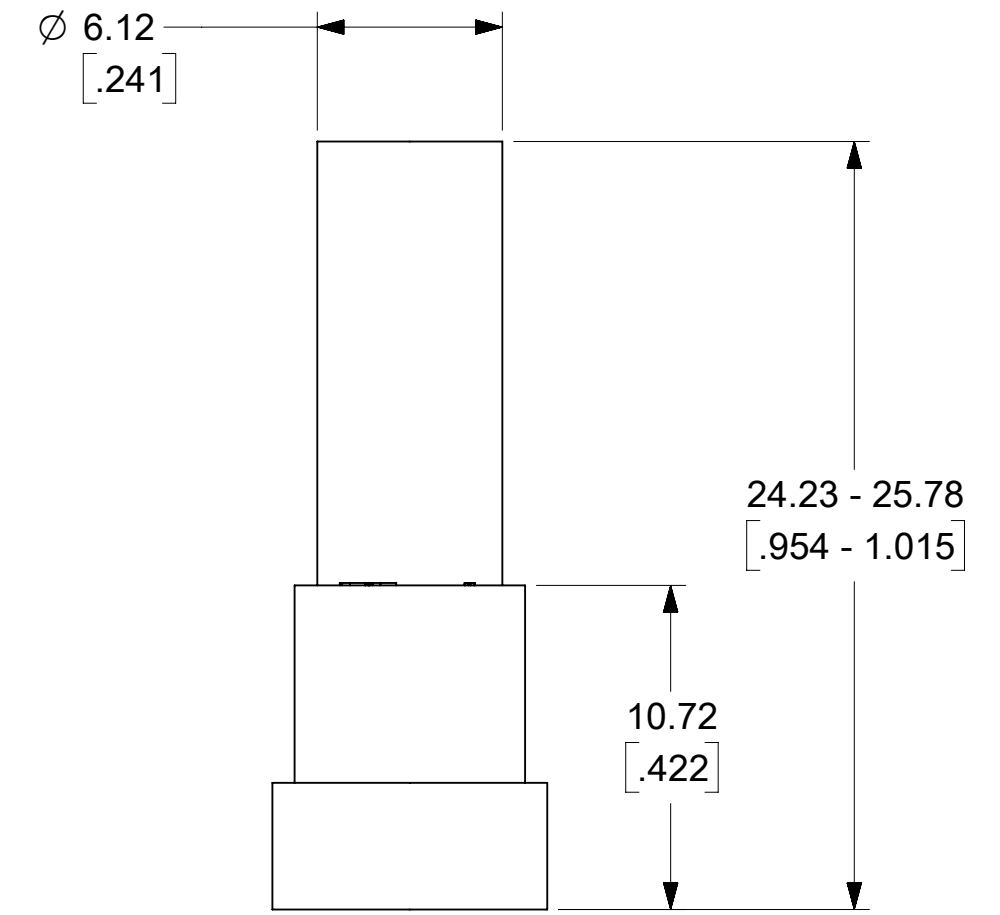
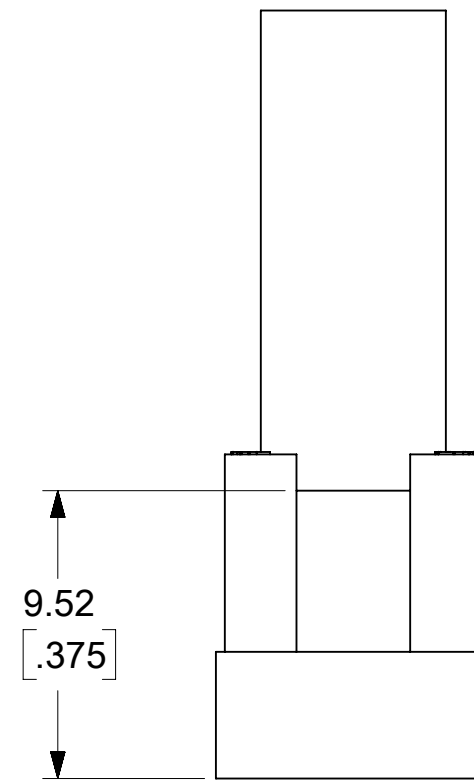
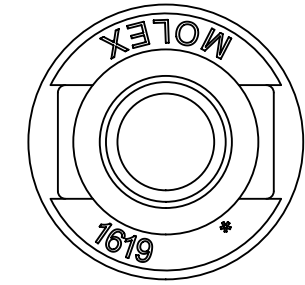
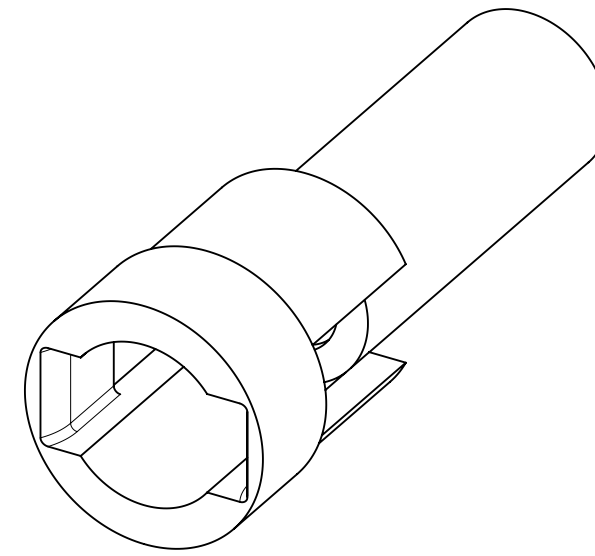


RECEPTACLE	
ORDER NO.	ENG. NO.
03-09-1011	1619-1R1B5N1A5

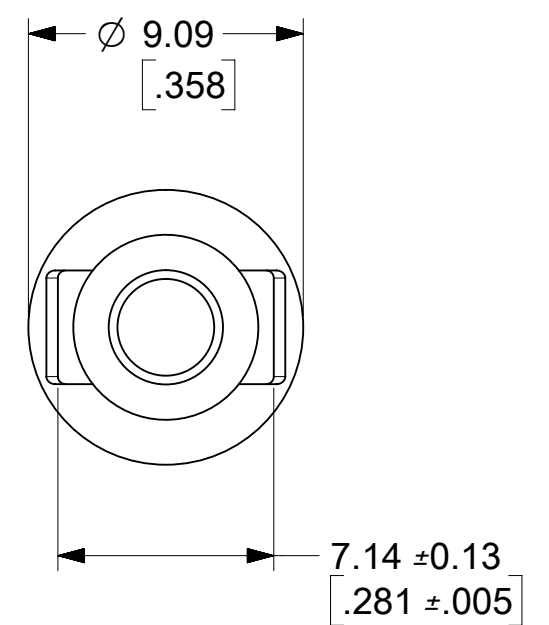


- NOTES:
1. MATERIAL: NYLON 66, UL94V-2, COLOR: NATURAL
 2. FINISH: NONE
 3. PRODUCT SPECIFICATION: PS-02-09
 4. PACKAGING SPECIFICATION: 16190000
 5. THIS HOUSING IS FOR USE WITH .093/(2.36) DIA. TERMINALS.
 6. PARTS MADE IN TOOLS BUILT PRIOR TO 9/86 HAVE AN OVERALL LENGTH OF 1.00/(25.4).
 7. PARTS CONFORM TO CLASS B REQUIREMENTS OF COSMETIC SPECIFICATION PS-45499-002.
 8. THIS DRAWING REPLACES SD-1619-1P* AND SD-1619-1R*.

PLUG



PLUG		
ORDER NO.	ENG. NO.	OLD ENG. NO.
03-09-2011	1619-1P1A5M1A	1619-P



QUALITY SYMBOLS ▽ = 0 ▽ = 0 ▽ = 0 ▽ = 0 ▽ = 0 ▽ = 0 ▽ = 0 ▽ = 0 ▽ = 0 ▽ = 0	THIS DRAWING CONTAINS INFORMATION THAT IS PROPRIETARY TO MOLEX ELECTRONIC TECHNOLOGIES, LLC AND SHOULD NOT BE USED WITHOUT WRITTEN PERMISSION										
	RELEASED EC NO: 114454 DRWN: MKIPPER CHKD: MKIPPER REV / APPR: FSMITH	2017/02/22	2017/03/14	2017/03/16	GENERAL TOLERANCES (UNLESS SPECIFIED)		MM/INCH	SCALE			
					MM	INCH	DRWN BY	DATE			
		4 PLACES	±	±	BAPPELDORN	2017/02/22					
		3 PLACES	±	± 0.014	CHK'D BY	DATE					
		2 PLACES	± 0.25	± 0.01	MKIPPER	2017/02/27					
	1 PLACES	± 0.35	±	APPR BY	DATE						
	0 PLACES	±	±	FSMITH	2017/02/28						
	ANGULAR TOL ±				DRAWING SIZE	THIRD ANGLE PROJECTION	PRODUCT CUSTOMER DRAWING				
	DRAFT WHERE APPLICABLE MUST REMAIN WITHIN DIMENSIONS				C	SERIES: 1619 MATERIAL NUMBER: SEE CHARTS CUSTOMER: GENERAL MARKET					
				DOCUMENT NUMBER: 16190000-SD		DOC TYPE: PSD	DOC PART: 000	SHEET NUMBER: 1 OF 1			