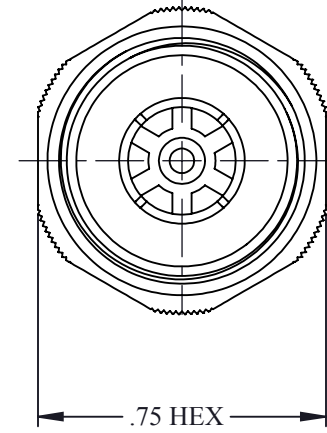
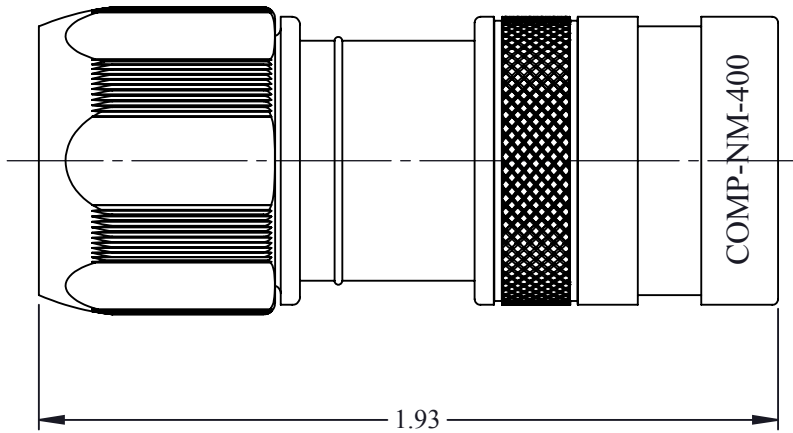


REV	DESCRIPTION	DATE	APPR
F1	CHANGED DWG FORMAT	10/14/15	JDMc



**SPECIFICATIONS:**

IMPEDANCE: 50 Ohms  
 FREQUENCY RANGE: 0-7.0 GHz  
 TEMPERATURE RANGE: -55°C TO 85°C  
 WATERPROOF DESIGN: IP68 RATED

10	11831-01	INSTALLATION GUIDE, 50 OHM, BRAIDED	.005
9	11563-01	GASKET, 50 OHM, N MALE, 400	1
8	11562-01	NUT RETAINER, 50 OHM, N MALE, 400	1
7	11561-01	COMPRESSION RING, 50 OHM, N MALE, 400	1
6	11560-01	CONTACT, 50 OHM, N MALE, 400	1
5	11559-01	POST, 50OHM, N MALE, 400	1
4	11558-01	CLAMP, 50 OHM, N MALE, 400	1
3	11557-01	INSULATOR, 50 OHM, N MALE, 400, 500	1
2	11556-01	NUT, 50 OHM, N MALE	1
1	11555-01	BODY, 50 OHM, N MALE, 400	1
#	PART #	DESCRIPTION	QTY

UNLESS OTHERWISE SPECIFIED
ALL DIMENSIONS ARE FOR REFERENCE ONLY. ALL DIMENSIONS ARE IN INCHES. INTERPRET DIMENSIONS PER ASME Y14.5M-1994.
<b>RoHS</b> COMPLIANT

NAME	DATE
C. ZUÑIGA	10/14/15
APPROVED	
CBL GROUP	N/A
CODE:	001787
MATERIAL:	BRASS
FINISH:	WHITE BRONZE

<b>RF INDUSTRIES</b>			
7610 MIRAMAR RD. SAN DIEGO, CA. 92126 858-549-6340 FAX 858-549-6345			
THESE DRAWINGS AND SPECIFICATIONS ARE THE PROPERTY OF RF INDUSTRIES LTD AND SHALL NOT BE REPRODUCED, COPIED OR USED AS A BASIS FOR MANUFACTURE OR SALE OF EQUIPMENT OR DEVICES WITHOUT WRITTEN PERMISSION.			
TITLE: <b>N MALE FOR 400 CBL</b>			
SCALE	DWG. NO.	SHEET	REV
NTS	COMP-NM-400	1 OF 1	F1