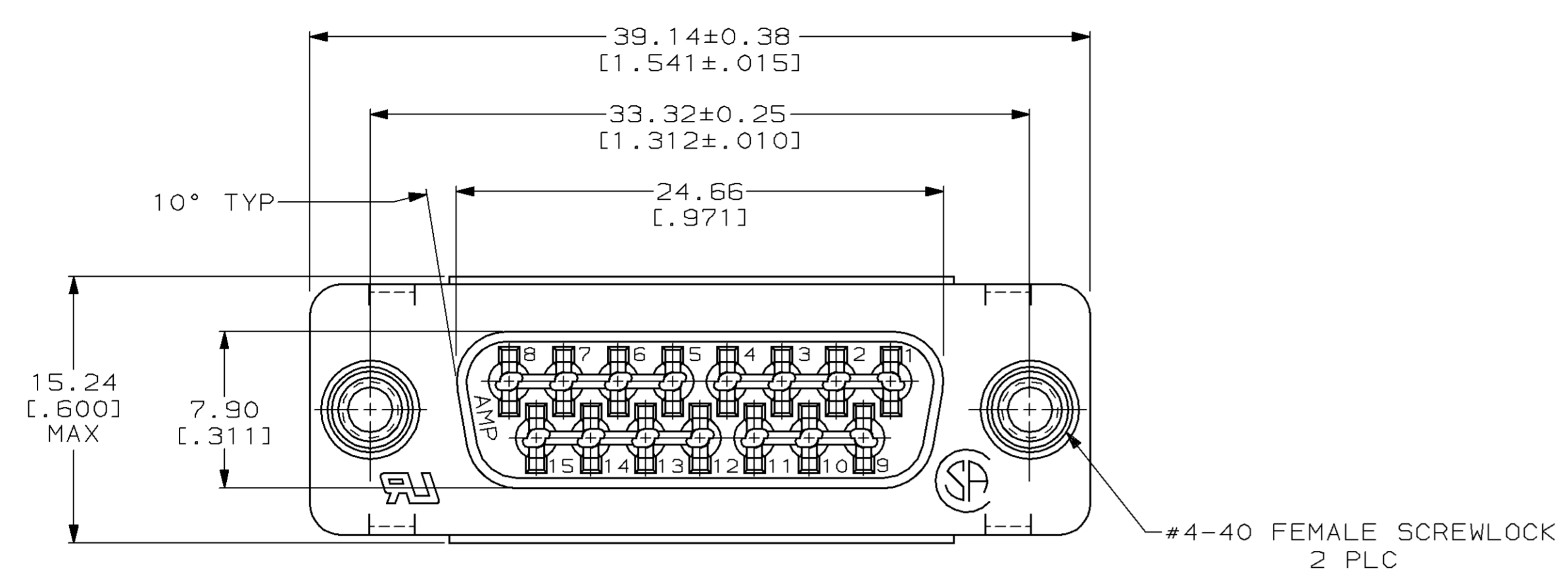
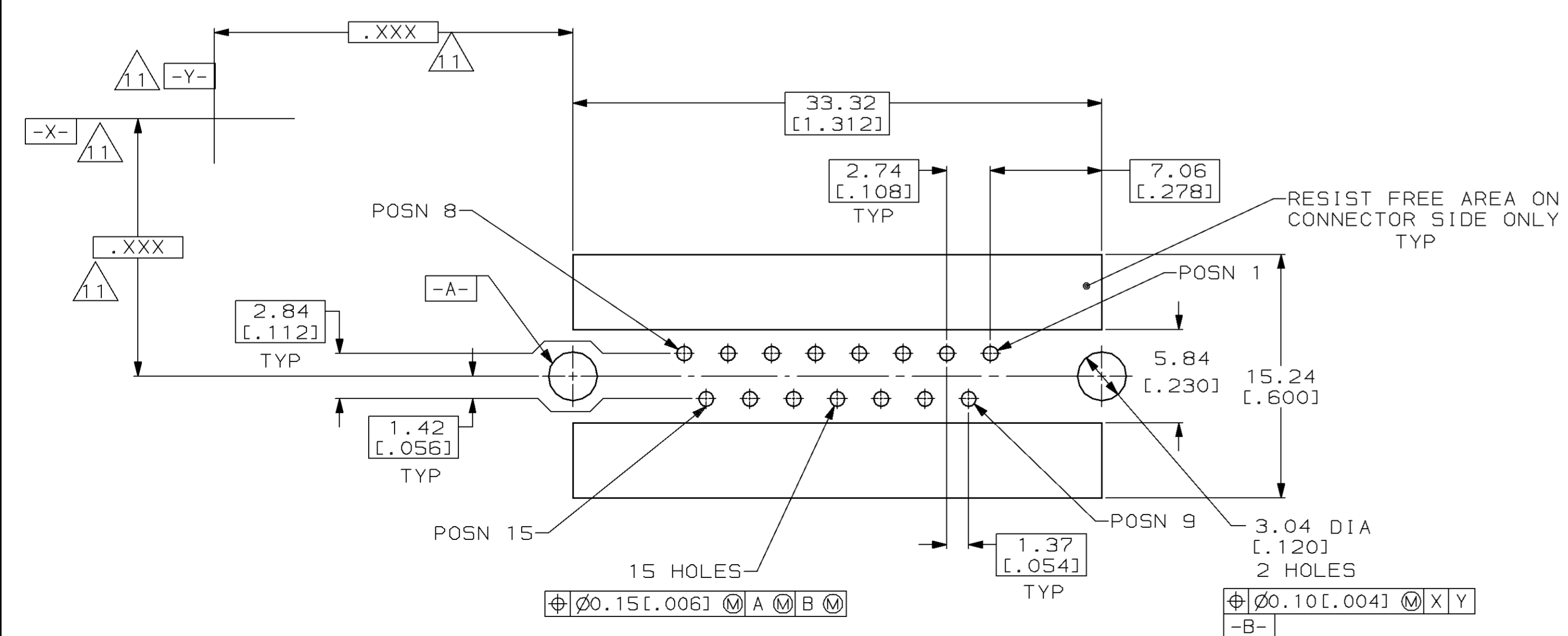
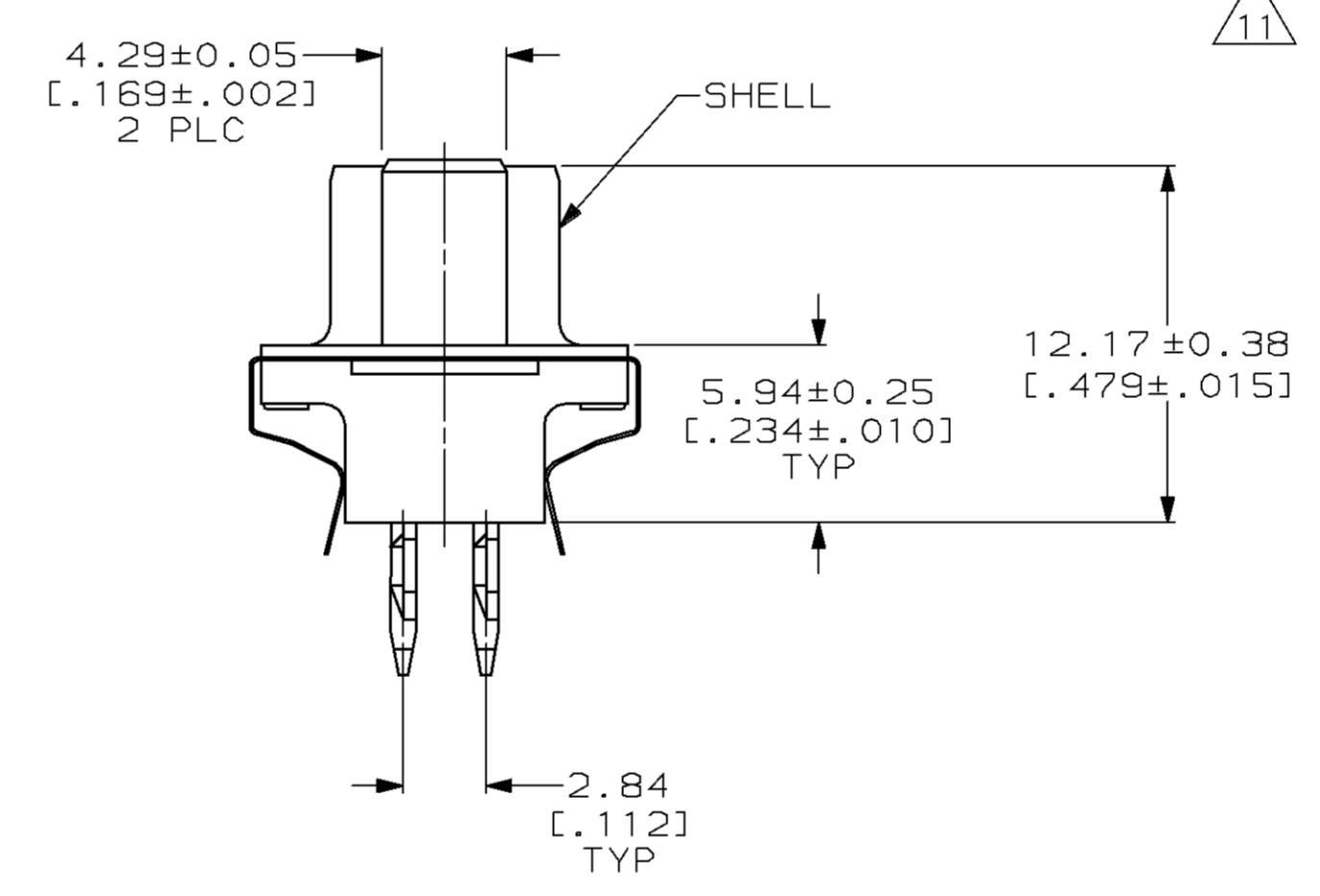
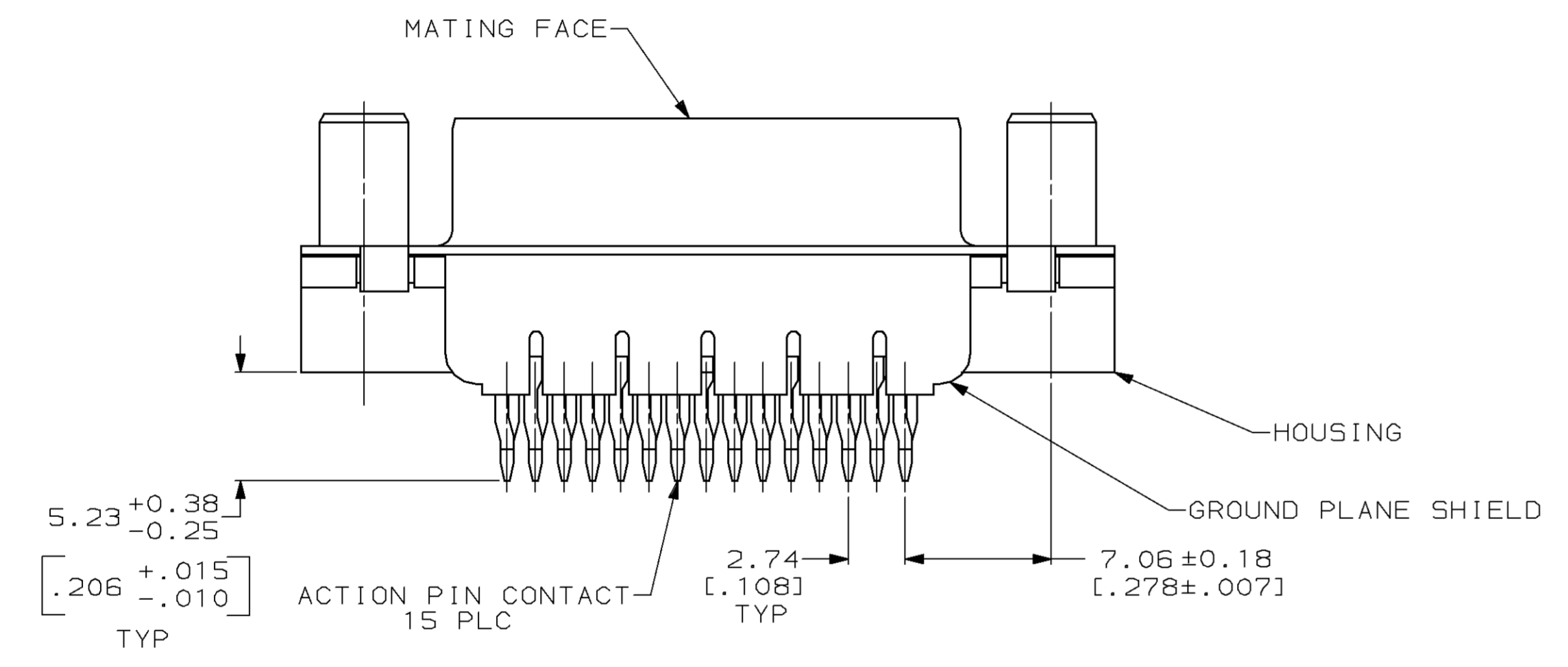


LOC		DIST		ZONE		LTR		REVISIONS			
BD	77	P	F					DESCRIPTION	DATE	APPD	
								D	REDRAWN/REV PER EC 0020-1353-93	01/31/94	MP



- 1 RECOMMENDATIONS FOR 2.36 [0.093] MIN THICK PC BOARD:
  - A. HOLE DIAMETER AFTER DRILLING = 1.15±0.03 [0.045±.001].
  - B. HOLE DIAMETER AFTER TIN-LEAD PLATING = 0.94[0.037]-1.09[0.043].
  - C. HOLE DIAMETER AFTER REFLOW = 0.91[0.036]-1.09[0.043].
  - D. PC BOARD PLATING TO BE 0.76µm [0.000300] MIN TIN-LEAD OVER 0.05±0.03[0.002±.001] COPPER.
- 2 NYLON OR POLYESTER, UL 94V-0 RATED, BLACK.
- 3 COPPER ALLOY PER ASTM B 122.
- 4 CARBON STEEL PER ASTM A 109.
- 5 ZINC.
- 6. GOLD PLATING PER MIL-G-45204, NICKEL PLATING PER QQ-N-290, TIN PLATING PER MIL-T-10727, COPPER PLATING PER MIL-C-14550.
- 7 1.27µm [0.00050] MIN TIN OVER 0.13µm [0.00005] MIN NICKEL STRIKE.
- 8 5.08µm [0.000200] MIN TIN-LEAD OVER 2.54µm [0.000100] MIN COPPER.
- 9 0.76µm [0.00030] MIN GOLD FOR A LENGTH OF 1.02[0.040] MIN FROM MATING END, 2.54µm [0.000100] MIN TIN OR TIN-LEAD FOR A LENGTH OF 5.61[0.221] MIN FROM OPPOSITE END, BOTH OVER 1.27µm [0.00050] MIN NICKEL.
- 10 STAINLESS STEEL PER QQ-S-766.
- 11 DATUMS AND BASIC DIMENSIONS ESTABLISHED BY CUSTOMERS.



RECOMMENDED PC BOARD MOUNTING DIMENSIONS  
 CONNECTOR SIDE OF BOARD

THIS DRAWING IS A CONTROLLED DOCUMENT FOR AMP INCORPORATED. IT IS SUBJECT TO CHANGE AND THE CONTROLLING ENGINEERING ORGANIZATION SHOULD BE CONTACTED FOR THE LATEST REVISION.

DO NOT SCALE PRINT. UNLESS SPECIFIED DIMENSIONS IN mm [INCHES] TOLERANCES ON: 2 PLC DEC ±0.13 [0.005] 3 PLC DEC ± - ANGLES ± 2°		DR 01/31/94 K.FOLTZ	AMP Incorporated Harrisburg, PA 17105-3608
MATERIAL HOUSING: 2 SCREWLOCKS: 2 CONTACTS: 3 SHIELD: 1 FINISH CONTACTS: 2 SHIELD: 1 SHELL: 1		CHK 2/3/94 R.STONE	
PRODUCT SPEC 108-40014		APPD 2/4/94 M.PERCHERKE	NAME RECEPTACLE ASSEMBLY, SIZE 2, 15 POSITION, ACTION PIN™, FRONT METAL SHELL AMPLIMITE™ HDP
APPLICATION SPEC 114-40026		APPD 2/4/94 M.PERCHERKE	
SIZE D	CAGE CODE 00779	DRAWING NO. C-748440	SHEET 1 OF 1 CUSTOMER DRAWING
SCALE 4:1	WEIGHT -		