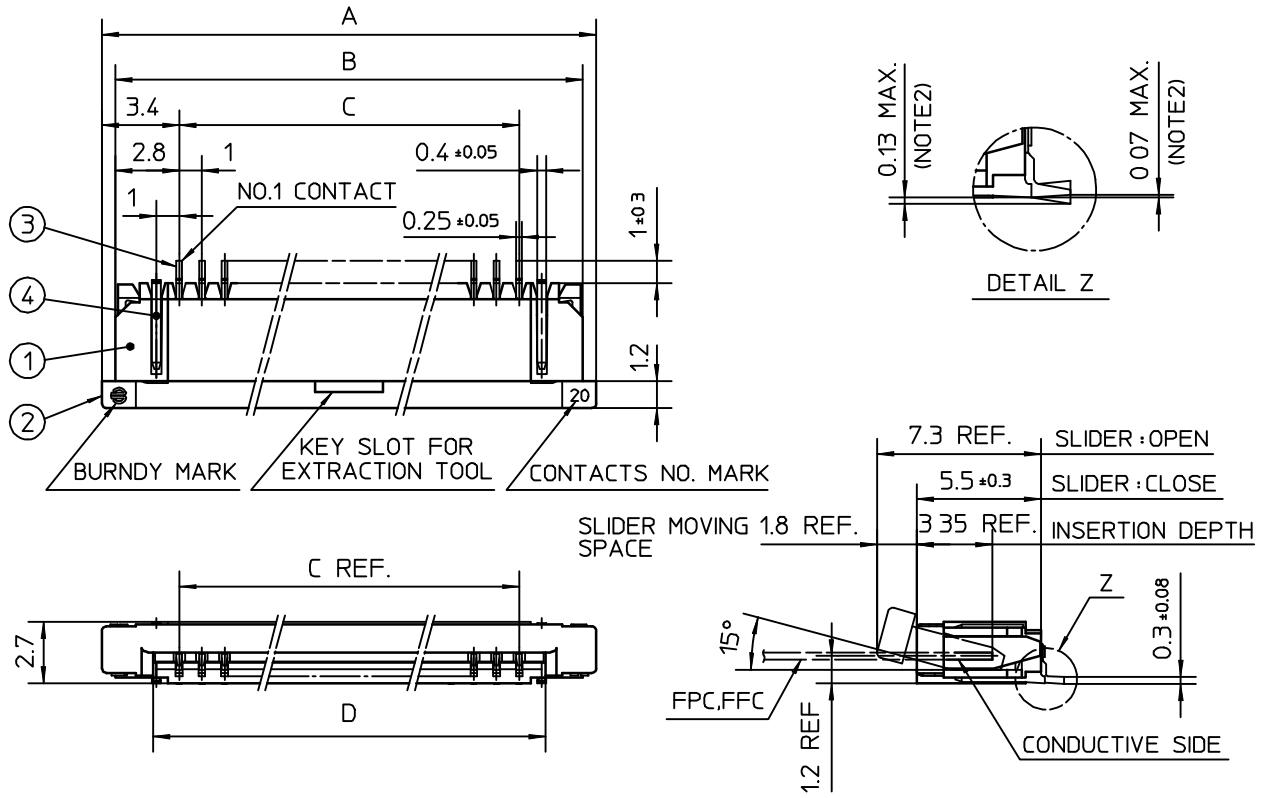


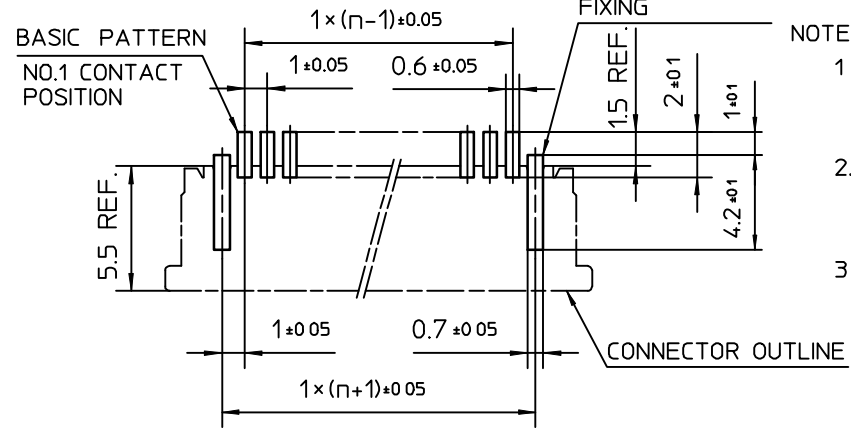
TOLERANCES
UNLESS OTHERWISE SPECIFIED: ±0.2



PT. NO	PARTS NAME	MATERIAL	Q'TY	NOTE
1	HOUSING	PPS RESIN GLASS REINFORCED (UL94V-0)	1	COLOR: BROWN
2	SLIDER		1	COLOR: BLACK
3	CONTACT	PHOSPHOR BRONZE	n	PLATING: TIN ALLOY
4	MOUNTING PLATE		2	

n : NO. OF CONTACTS

RECOMMENDED PC BOARD LAYOUT
(COMPONENT SIDE)



- NOTES
- 1 THIS PRODUCT IS THE CONNECTOR USED FOR FPC/FFC AND COPES WITH AUTOMATIC MOUNTING (SMT).
 2. FLATNESS FOR CONTACT TERMINAL HOUSING MUST BE WITHIN TOLERANCE IN Z PORTION DETAILED DRAWING.
 - 3 THIS PRODUCT IS LOWER CONTACT TYPE CONNECTOR.

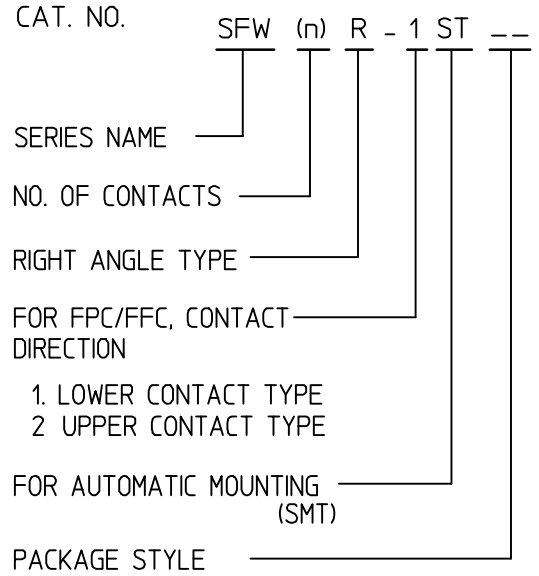
					SCALE	∞		
					DIM. IN	mm	CAT NO.	
					DESIGNED		SFW__R-1ST__	
					DRAWN		DRAWING NO	REV
					CHECKED		JSA 91599	
					APPROVED			
REV.	DATE	DESCRIPTION	DWN.	APPD.	DATE			



DF-136
REV.B


CAT. NO. & DIMENSIONS

NO. OF CONTACTS (n)	CAT. NO.	DIMENSIONS (NOTE2)			
		A ± 0.2	B ± 0.2	C ± 0.2	D ± 0.1
4	SFW4R-1/2ST__	9.8	8.6	3.0	5.3
5	SFW5R-1/2ST__	10.8	9.6	4.0	6.3
6	SFW6R-1/2ST__	11.8	10.6	5.0	7.3
7	SFW7R-1/2ST__	12.8	11.6	6.0	8.3
8	SFW8R-1/2ST__	13.8	12.6	7.0	9.3
9	SFW9R-1/2ST__	14.8	13.6	8.0	10.3
10	SFW10R-1/2ST__	15.8	14.6	9.0	11.3
11	SFW11R-1/2ST__	16.8	15.6	10.0	12.3
12	SFW12R-1/2ST__	17.8	16.6	11.0	13.3
13	SFW13R-1/2ST__	18.8	17.6	12.0	14.3
14	SFW14R-1/2ST__	19.8	18.6	13.0	15.3
15	SFW15R-1/2ST__	20.8	19.6	14.0	16.3
16	SFW16R-1/2ST__	21.8	20.6	15.0	17.3
17	SFW17R-1/2ST__	22.8	21.6	16.0	18.3
18	SFW18R-1/2ST__	23.8	22.6	17.0	19.3
19	SFW19R-1/2ST__	24.8	23.6	18.0	20.3
20	SFW20R-1/2ST__	25.8	24.6	19.0	21.3
21	SFW21R-1/2ST__	26.8	25.6	20.0	22.3
22	SFW22R-1/2ST__	27.8	26.6	21.0	23.3
23	SFW23R-1/2ST__	28.8	27.6	22.0	24.3
24	SFW24R-1/2ST__	29.8	28.6	23.0	25.3
25	SFW25R-1/2ST__	30.8	29.6	24.0	26.3
26	SFW26R-1/2ST__	31.8	30.6	25.0	27.3
27	SFW27R-1/2ST__	32.8	31.6	26.0	28.3
28	SFW28R-1/2ST__	33.8	32.6	27.0	29.3
29	SFW29R-1/2ST__	34.8	33.6	28.0	30.3
30	SFW30R-1/2ST__	35.8	34.6	29.0	31.3



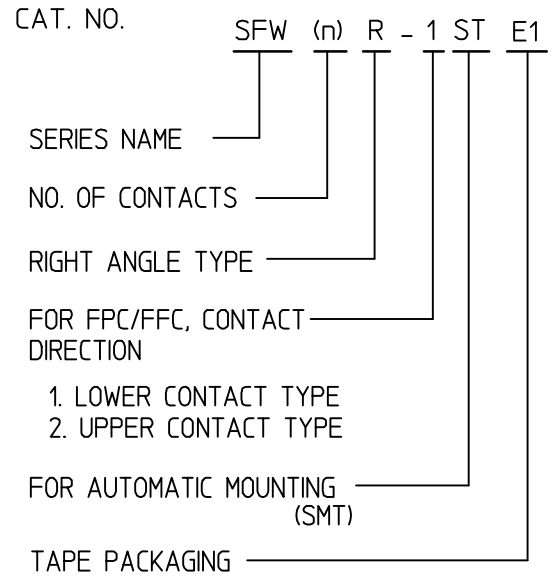
NOTES

1. THIS PRODUCT IS THE CONNECTOR USED FOR FPC/FFC AND COPES WITH AUTOMATIC MOUNTING (SMT).
2. SEE PART DRAWINGS FOR DIMENSIONS A~D.

					SCALE	∞	CAT NO. TABLE FOR SURFLOK CONNECTOR	
					DIM. IN	mm	CAT NO.	
					DESIGNED		SFW__R-1/2ST__	
					DRAWN		DRAWING NO	REV
					CHECKED		JSA 91598	
					APPROVED		 DF-136 REV.B	
REV.	DATE	DESCRIPTION	DWN.	APPD.	DATE			

CAT. NO. & DIMENSIONS

NO. OF CONTACTS (n)	CAT. NO. (NOTE2)	DIMENSIONS (NOTE3)		
		E ± 5	F ± 03	G ± 01
4	SFW4R-1/2STE1	20.4	16	—
5	SFW5R-1/2STE1	28.4	24	—
6	SFW6R-1/2STE1	28.4	24	—
7	SFW7R-1/2STE1	28.4	24	—
8	SFW8R-1/2STE1	28.4	24	—
9	SFW9R-1/2STE1	28.4	24	—
10	SFW10R-1/2STE1	28.4	24	—
11	SFW11R-1/2STE1	28.4	24	—
12	SFW12R-1/2STE1	28.4	24	—
13	SFW13R-1/2STE1	36.4	32	28.4
14	SFW14R-1/2STE1	36.4	32	28.4
15	SFW15R-1/2STE1	36.4	32	28.4
16	SFW16R-1/2STE1	36.4	32	28.4
17	SFW17R-1/2STE1	48.4	44	40.4
18	SFW18R-1/2STE1	48.4	44	40.4
19	SFW19R-1/2STE1	48.4	44	40.4
20	SFW20R-1/2STE1	48.4	44	40.4
21	SFW21R-1/2STE1	48.4	44	40.4
22	SFW22R-1/2STE1	48.4	44	40.4
23	SFW23R-1/2STE1	48.4	44	40.4
24	SFW24R-1/2STE1	48.4	44	40.4
25	SFW25R-1/2STE1	48.4	44	40.4
26	SFW26R-1/2STE1	48.4	44	40.4
27	SFW27R-1/2STE1	48.4	44	40.4
28	SFW28R-1/2STE1	60.4	56	52.4
29	SFW29R-1/2STE1	60.4	56	52.4
30	SFW30R-1/2STE1	60.4	56	52.4



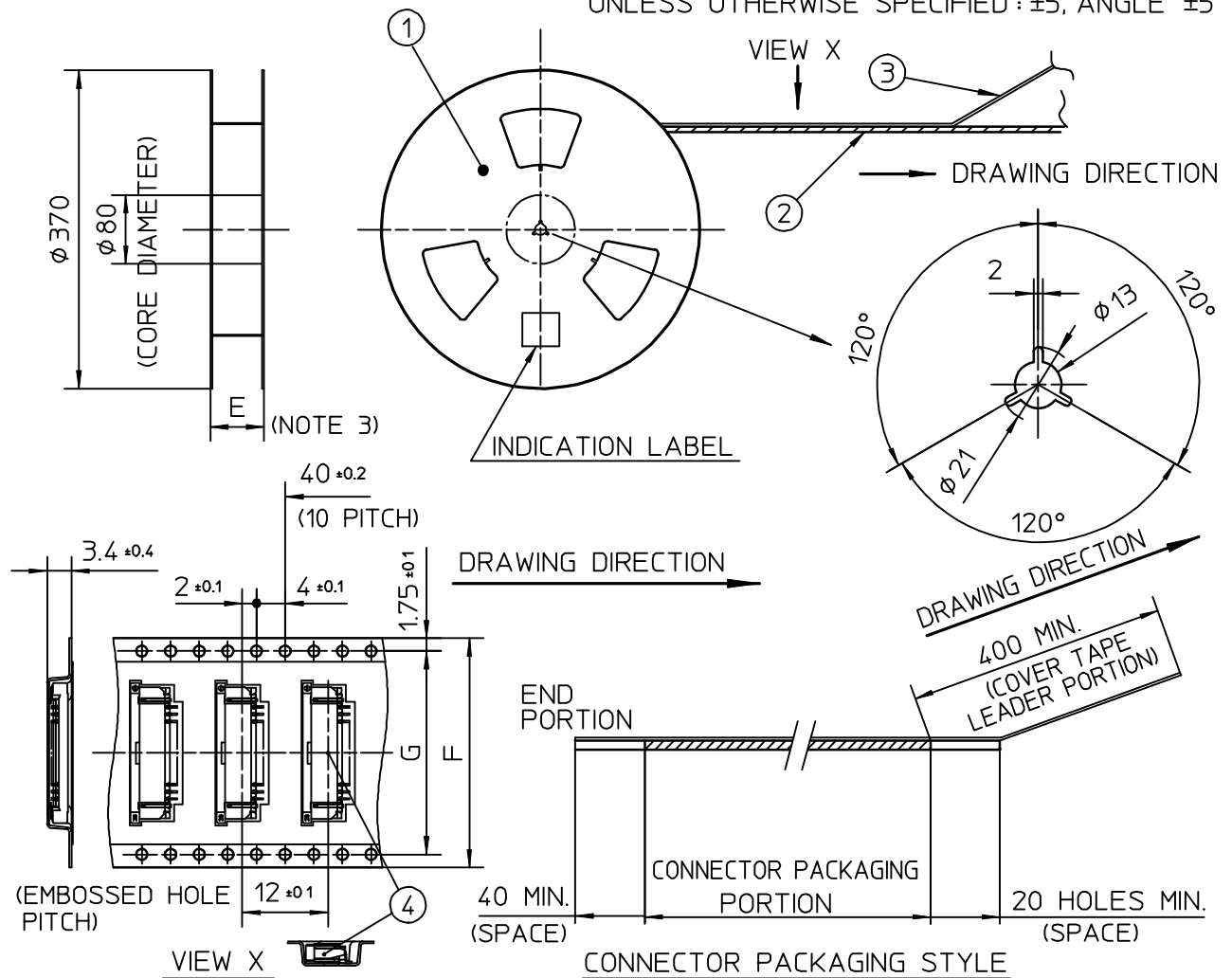
NOTES

1. THIS PRODUCT IS THE CONNECTOR USED FOR FPC/FFC AND COPEs WITH AUTOMATIC MOUNTING (SMT).
2. THIS CATALOG NO INDICATES PLASTIC TAPE PACKAGED CONNECTOR
3. SEE PART DRAWINGS FOR DIMENSIONS E-G.

					SCALE	×	
					DIM. IN	mm	CAT NO.
					DESIGNED		SFW__R-1/2STE1
					DRAWN		DRAWING NO
					CHECKED		JSA 91601
					APPROVED		REV
REV.	DATE	DESCRIPTION	DWN.	APPD.	DATE		DF-136 REV.B



TOLERANCES
UNLESS OTHERWISE SPECIFIED : ±5, ANGLE ±5°



PT. NO.	PARTS NAME	CAT. NO.	MATERIAL	Q'TY	NOTE
1	REEL	_____	CARDBOARD	1	COLOR : WHITE
2	PLASTIC (EMBOSS) TAPE	_____	PET	_____	COLOR : TRANSPARENCY
3	COVER	_____	POLYESTER	_____	COLOR : TRANSPARENCY
4	SURFLOK CONNECTOR	SFW__R-1ST__	SEE ATTACHED DWG.	2000	LOWER CONTACT TYPE

NOTES

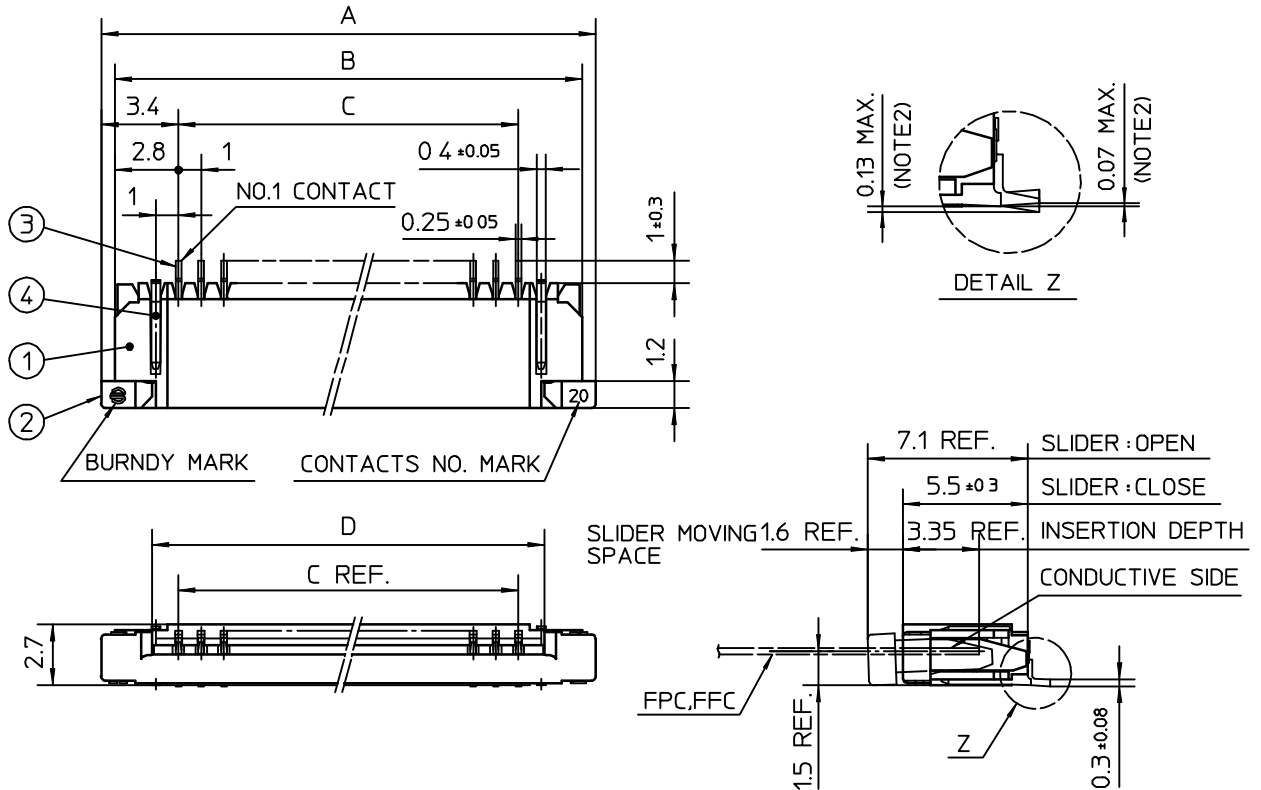
1. THIS IS PLASTIC TAPE PACKAGED CONNECTOR USED FOR FPC/FFC AND COPEs WITH AUTOMATIC MOUNTING (SMT).
2. SEE JIS C 0806 (PACKING OF ELECTRONIC COMPONENTS ON CONTINUOUS TAPES (SURFACE MOUNTING DEVICES)) FOR SHAPE AND DIMENSIONS OF PLASTIC (EMBOSS) TAPE AND REEL.
3. E DIMENSION IS PORTION OF THE CORE.

					SCALE	∞		
					DIM. IN	mm	CAT NO.	
					DESIGNED		SFW__R-1STE1	
					DRAWN		DRAWING NO	REV
					CHECKED		JSA 91602	
					APPROVED			
REV.	DATE	DESCRIPTION	DWN.	APPD.	DATE			



DF-136
REV.B

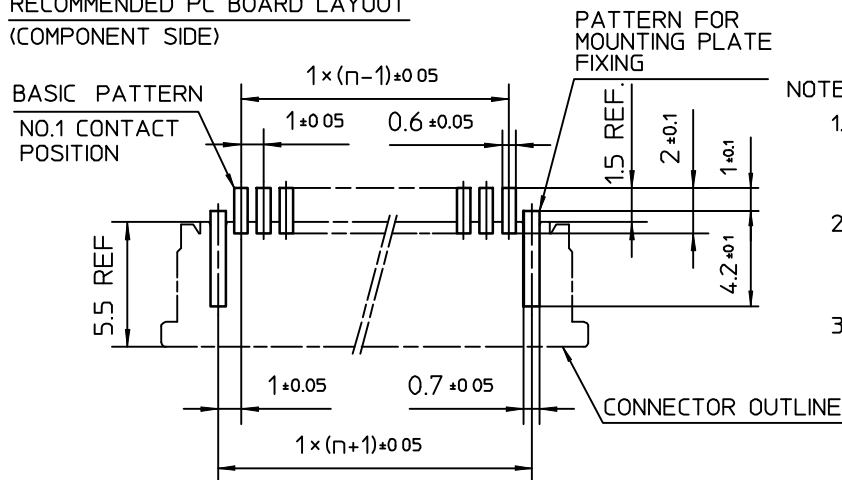
TOLERANCES
UNLESS OTHERWISE SPECIFIED : ±0.2



PT NO.	PARTS NAME	MATERIAL	Q'TY	NOTE
1	HOUSING	PPS RESIN GLASS REINFORCED (UL94V-0)	1	COLOR: BROWN
2	SLIDER	REINFORCED (UL94V-0)	1	COLOR: BLACK
3	CONTACT	PHOSPHOR BRONZE	n	PLATING: TIN ALLOY
4	MOUNTING PLATE		2	

n : NO. OF CONTACTS

RECOMMENDED PC BOARD LAYOUT
(COMPONENT SIDE)



NOTES

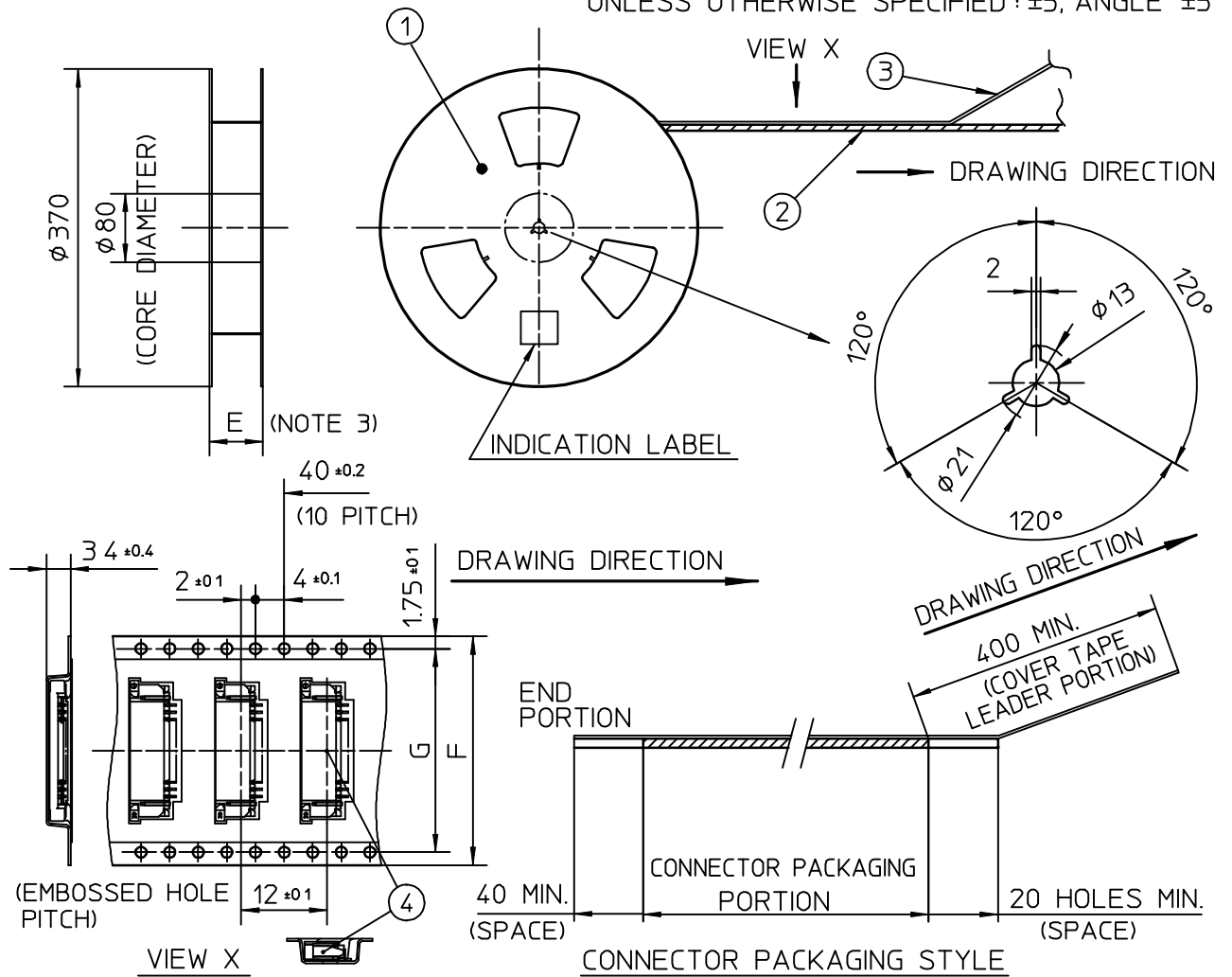
1. THIS PRODUCT IS THE CONNECTOR USED FOR FPC/FFC AND COPEs WITH AUTOMATIC MOUNTING (SMT).
2. FLATNESS FOR CONTACT TERMINAL HOUSING MUST BE WITHIN TOLERANCE IN Z PORTION DETAILED DRAWING.
3. THIS PRODUCT IS UPPER CONTACT TYPE CONNECTOR.

					SCALE	∞		
					DIM. IN	mm	CAT NO.	
					DESIGNED		SFW__R-2ST__	
					DRAWN		DRAWING NO	REV
					CHECKED		JSA 91600	
					APPROVED			
REV.	DATE	DESCRIPTION	DWN.	APPD.	DATE			



DF-136
REV.B

TOLERANCES
UNLESS OTHERWISE SPECIFIED : ±5, ANGLE ±5°



PT. NO.	PARTS NAME	CAT NO.	MATERIAL	Q'TY	NOTE
1	REEL	_____	CARDBOARD	1	COLOR : WHITE
2	PLASTIC (EMBOSS) TAPE	_____	PET	_____	COLOR : TRANSPARENCY
3	COVER	_____	POLYESTER	_____	COLOR : TRANSPARENCY
4	SURFLOK CONNECTOR	SFW__R-2ST__	SEE ATTACHED DWG.	2000	UPPER CONTACT TYPE

NOTES

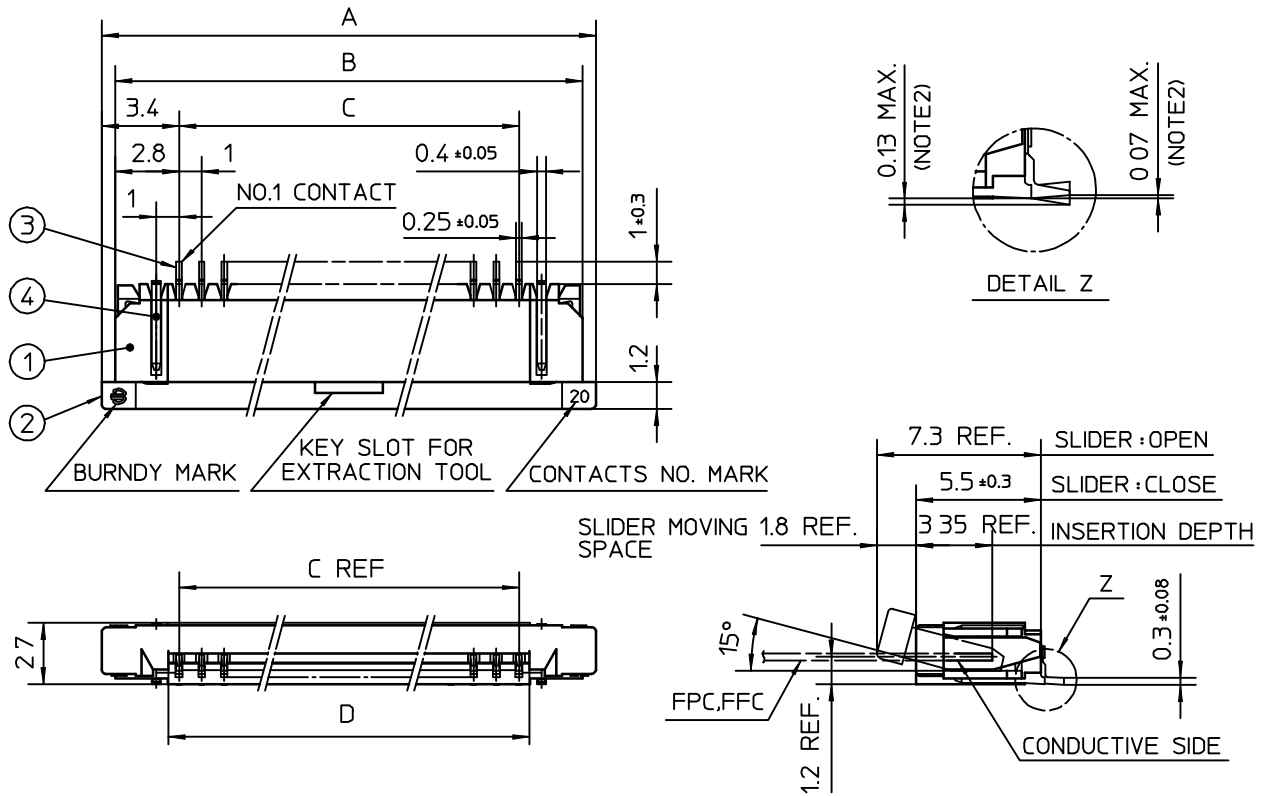
1. THIS IS PLASTIC TAPE PACKAGED CONNECTOR USED FOR FPC/FFC AND COPEs WITH AUTOMATIC MOUNTING (SMT).
2. SEE JIS C 0806 (PACKING OF ELECTRONIC COMPONENTS ON CONTINUOUS TAPES (SURFACE MOUNTING DEVICES)) FOR SHAPE AND DIMENSIONS OF PLASTIC (EMBOSS) TAPE AND REEL.
3. E DIMENSION IS PORTION OF THE CORE

					SCALE	×		
					DIM. IN	mm	CAT NO.	
					DESIGNED		SFW__R-2STE1	
					DRAWN		DRAWING NO	REV
					CHECKED		JSA 91603	
					APPROVED			
REV.	DATE	DESCRIPTION	DWN.	APPD.	DATE			



DF-136
REV.B

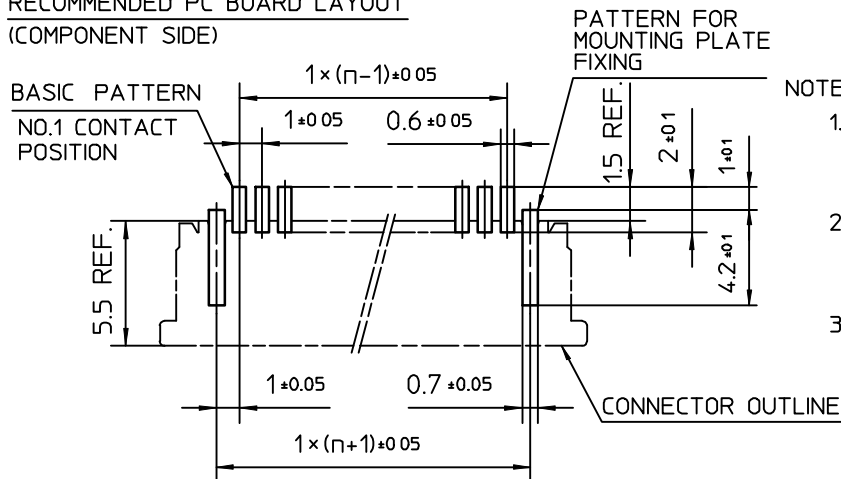
TOLERANCES
UNLESS OTHERWISE SPECIFIED : ±0.2



PT NO	PARTS NAME	MATERIAL	Q'TY	NOTE
1	HOUSING	PPS RESIN GLASS REINFORCED (UL94V-0)	1	COLOR : BLACK
2	SLIDER		1	COLOR : BROWN
3	CONTACT	PHOSPHOR BRONZE	n	PLATING : TIN ALLOY
4	MOUNTING PLATE		2	

n : NO. OF CONTACTS

RECOMMENDED PC BOARD LAYOUT
(COMPONENT SIDE)



NOTES

1. THIS PRODUCT IS THE CONNECTOR USED FOR FPC/FFC AND COPEs WITH AUTOMATIC MOUNTING (SMT).
2. FLATNESS FOR CONTACT TERMINAL HOUSING MUST BE WITHIN TOLERANCE IN Z PORTION DETAILED DRAWING.
3. THIS PRODUCT IS LOWER CONTACT TYPE CONNECTOR WITH CABLE LOCK MECHANISM.

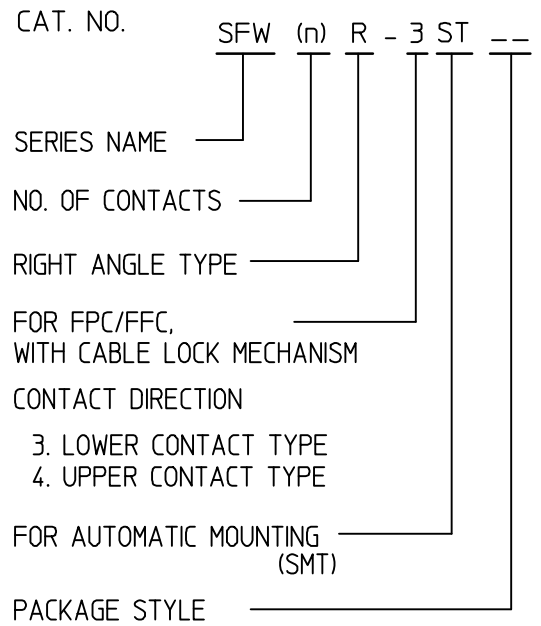
					SCALE	∞		
					DIM. IN	mm	CAT NO.	
					DESIGNED		SFW__R-3ST__	
					DRAWN		DRAWING NO	REV
					CHECKED		JSA 93207	
					APPROVED			
REV.	DATE	DESCRIPTION	DWN.	APPD.	DATE			



DF-136
REV.B


CAT. NO. & DIMENSIONS

NO. OF CONTACTS (n)	CAT. NO.	DIMENSIONS (NOTE2)			
		A ± 0.2	B ± 0.2	C ± 0.2	D ± 0.1
4	SFW4R-3/4ST__	9.8	8.6	3.0	3.92
5	SFW5R-3/4ST__	10.8	9.6	4.0	4.92
6	SFW6R-3/4ST__	11.8	10.6	5.0	5.92
7	SFW7R-3/4ST__	12.8	11.6	6.0	6.92
8	SFW8R-3/4ST__	13.8	12.6	7.0	7.92
9	SFW9R-3/4ST__	14.8	13.6	8.0	8.92
10	SFW10R-3/4ST__	15.8	14.6	9.0	9.92
11	SFW11R-3/4ST__	16.8	15.6	10.0	10.92
12	SFW12R-3/4ST__	17.8	16.6	11.0	11.92
13	SFW13R-3/4ST__	18.8	17.6	12.0	12.92
14	SFW14R-3/4ST__	19.8	18.6	13.0	13.92
15	SFW15R-3/4ST__	20.8	19.6	14.0	14.92
16	SFW16R-3/4ST__	21.8	20.6	15.0	15.92
17	SFW17R-3/4ST__	22.8	21.6	16.0	16.92
18	SFW18R-3/4ST__	23.8	22.6	17.0	17.92
19	SFW19R-3/4ST__	24.8	23.6	18.0	18.92
20	SFW20R-3/4ST__	25.8	24.6	19.0	19.92
21	SFW21R-3/4ST__	26.8	25.6	20.0	20.92
22	SFW22R-3/4ST__	27.8	26.6	21.0	21.92
23	SFW23R-3/4ST__	28.8	27.6	22.0	22.92
24	SFW24R-3/4ST__	29.8	28.6	23.0	23.92
25	SFW25R-3/4ST__	30.8	29.6	24.0	24.92
26	SFW26R-3/4ST__	31.8	30.6	25.0	25.92
27	SFW27R-3/4ST__	32.8	31.6	26.0	26.92
28	SFW28R-3/4ST__	33.8	32.6	27.0	27.92
29	SFW29R-3/4ST__	34.8	33.6	28.0	28.92
30	SFW30R-3/4ST__	35.8	34.6	29.0	29.92



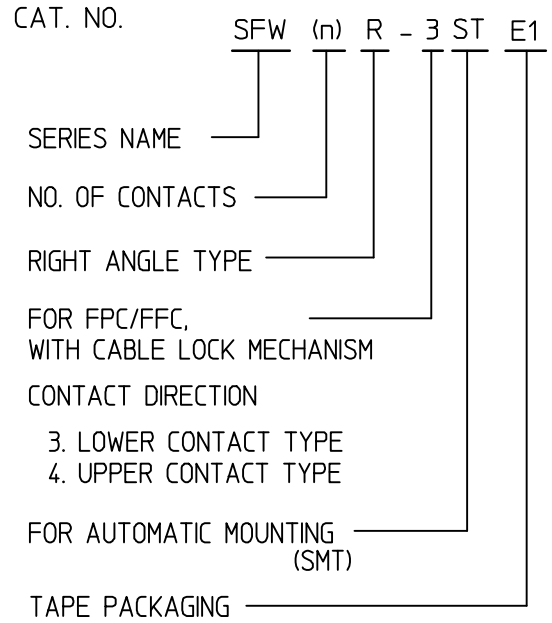
NOTES

1. THIS PRODUCT IS THE CONNECTOR USED FOR FPC/FFC AND COPER WITH AUTOMATIC MOUNTING (SMT).
2. SEE PART DRAWINGS FOR DIMENSIONS A~D.
3. THIS PRODUCT IS THE CONNECTOR WITH CABLE LOCK MECHANISM.

					SCALE	∞		
					DIM. IN	mm	CAT NO.	
					DESIGNED		SFW__R-3/4ST__	
					DRAWN		DRAWING NO	REV
					CHECKED		JSA 93206	
					APPROVED		 DF-136 REV.B	
REV.	DATE	DESCRIPTION	DWN.	APPD.	DATE			

CAT. NO & DIMENSIONS

NO. OF CONTACTS (n)	CAT. NO. (NOTE2)	DIMENSIONS (NOTE3)		
		E ± 5	F ± 0.3	G ± 0.1
4	SFW4R-3/4STE1	20.4	16	—
5	SFW5R-3/4STE1	28.4	24	—
6	SFW6R-3/4STE1	28.4	24	—
7	SFW7R-3/4STE1	28.4	24	—
8	SFW8R-3/4STE1	28.4	24	—
9	SFW9R-3/4STE1	28.4	24	—
10	SFW10R-3/4STE1	28.4	24	—
11	SFW11R-3/4STE1	28.4	24	—
12	SFW12R-3/4STE1	28.4	24	—
13	SFW13R-3/4STE1	36.4	32	28.4
14	SFW14R-3/4STE1	36.4	32	28.4
15	SFW15R-3/4STE1	36.4	32	28.4
16	SFW16R-3/4STE1	36.4	32	28.4
17	SFW17R-3/4STE1	48.4	44	40.4
18	SFW18R-3/4STE1	48.4	44	40.4
19	SFW19R-3/4STE1	48.4	44	40.4
20	SFW20R-3/4STE1	48.4	44	40.4
21	SFW21R-3/4STE1	48.4	44	40.4
22	SFW22R-3/4STE1	48.4	44	40.4
23	SFW23R-3/4STE1	48.4	44	40.4
24	SFW24R-3/4STE1	48.4	44	40.4
25	SFW25R-3/4STE1	48.4	44	40.4
26	SFW26R-3/4STE1	48.4	44	40.4
27	SFW27R-3/4STE1	48.4	44	40.4
28	SFW28R-3/4STE1	60.4	56	52.4
29	SFW29R-3/4STE1	60.4	56	52.4
30	SFW30R-3/4STE1	60.4	56	52.4



NOTES

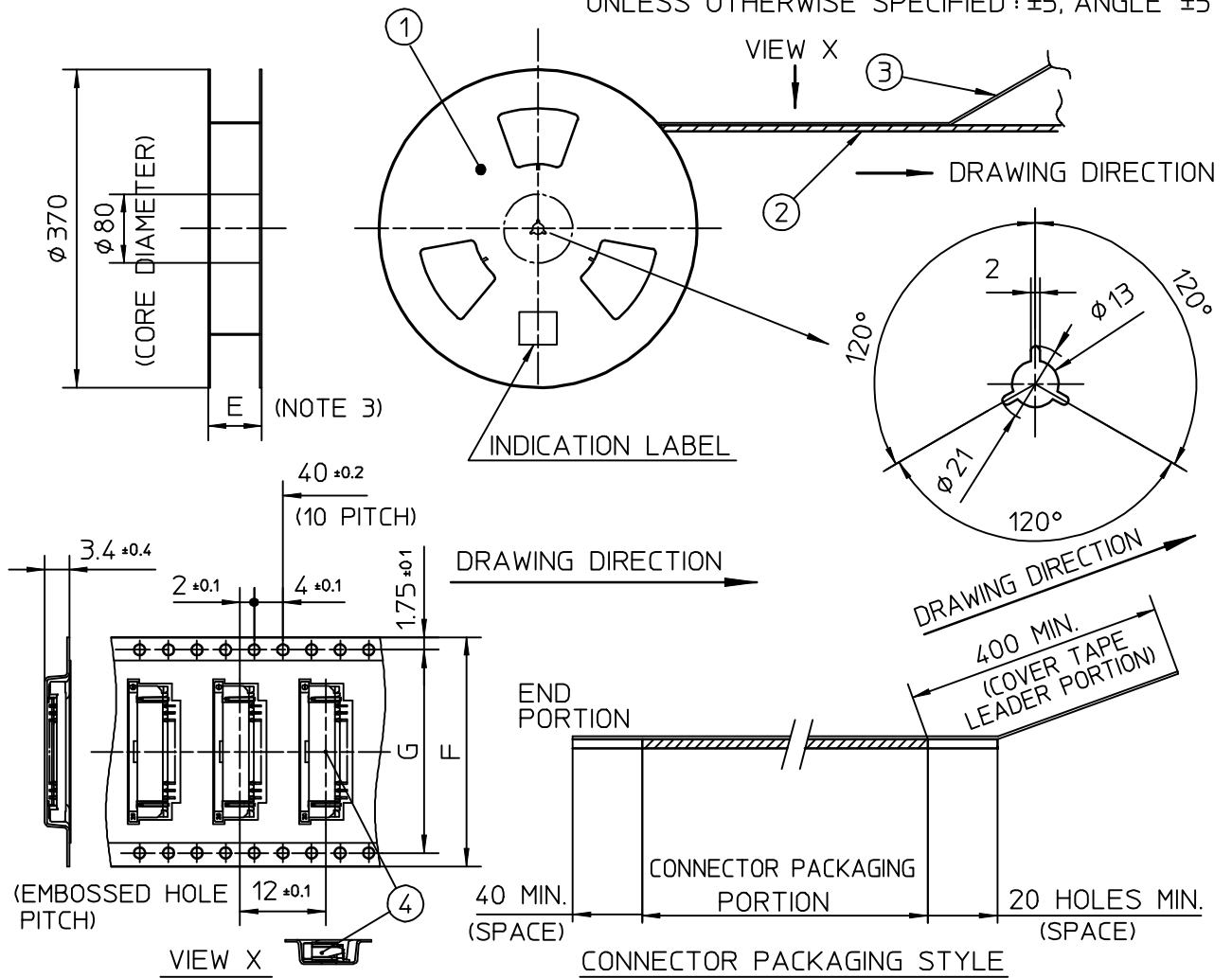
1. THIS PRODUCT IS THE CONNECTOR USED FOR FPC/FFC AND COPEs WITH AUTOMATIC MOUNTING (SMT).
2. THIS CATALOG NO. INDICATES PLASTIC TAPE PACKAGED CONNECTOR.
3. SEE PART DRAWINGS FOR DIMENSIONS E~G.
4. THIS PRODUCT IS THE CONNECTOR WITH CABLE LOCK MECHANISM.

					SCALE	∞		
					DIM. IN	mm	CAT NO.	
					DESIGNED		SFW__R-3/4STE1	
					DRAWN		DRAWING NO	REV
					CHECKED		JSA 93209	
					APPROVED			
REV.	DATE	DESCRIPTION	DWN.	APPD.	DATE			



DF-136
REV.B

TOLERANCES
UNLESS OTHERWISE SPECIFIED : ±5, ANGLE ±5°



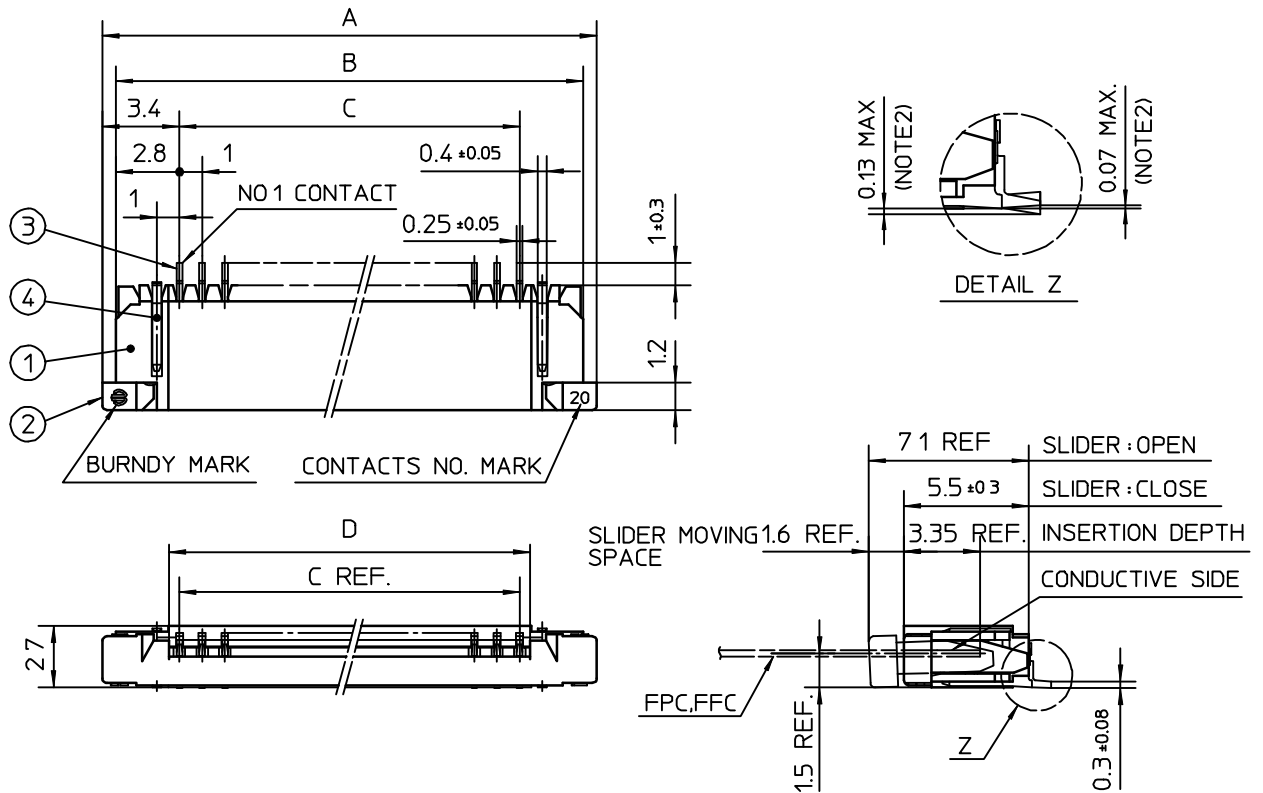
PT. NO.	PARTS NAME	CAT. NO.	MATERIAL	Q'TY	NOTE
1	REEL	_____	CARDBOARD	1	COLOR : WHITE
2	PLASTIC (EMBOSS) TAPE	_____	PET	—	COLOR : TRANSPARENCY
3	COVER	_____	POLYESTER	—	COLOR : TRANSPARENCY
4	SURFLOK CONNECTOR	SFW__R-3ST__	SEE ATTACHED DWG	2000	LOWER CONTACT TYPE

NOTES

1. THIS IS PLASTIC TAPE PACKAGED CONNECTOR WITH CABLE LOCK MECHANISM USED FOR FPC/FFC AND COPEs WITH AUTOMATIC MOUNTING (SMT)
2. SEE JIS C 0806 (PACKING OF ELECTRONIC COMPONENTS ON CONTINUOUS TAPES (SURFACE MOUNTING DEVICES)) FOR SHAPE AND DIMENSIONS OF PLASTIC (EMBOSS) TAPE AND REEL.
3. E DIMENSION IS PORTION OF THE CORE.

					SCALE	\times		
					DIM. IN	mm	CAT NO.	
					DESIGNED		SFW__R-3STE1	
					DRAWN		DRAWING NO	REV
					CHECKED		JSA 93210	
					APPROVED			
REV.	DATE	DESCRIPTION	DWN.	APPD.	DATE			

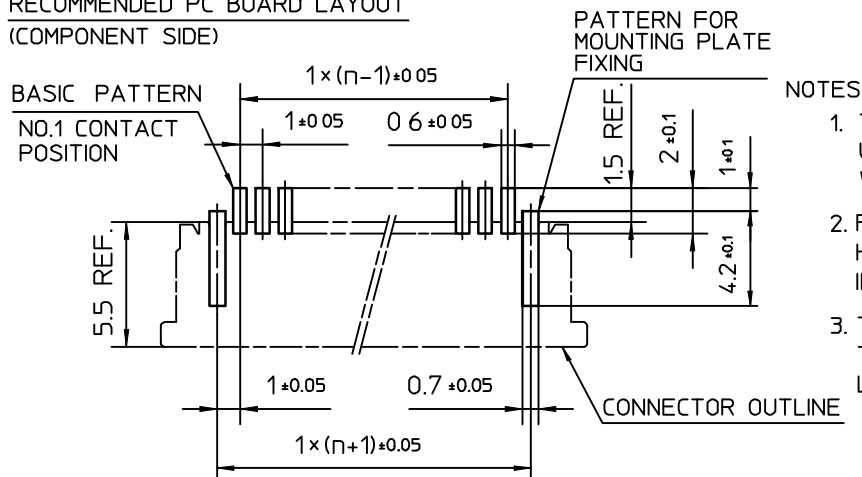
TOLERANCES
UNLESS OTHERWISE SPECIFIED : ±0.2



PT. NO	PARTS NAME	MATERIAL	Q'TY	NOTE
1	HOUSING	PPS RESIN GLASS REINFORCED (UL94V-0)	1	COLOR : BLACK
2	SLIDER		1	COLOR : BROWN
3	CONTACT	PHOSPHOR BRONZE	n	PLATING : TIN ALLOY
4	MOUNTING PLATE		2	

n : NO. OF CONTACTS

RECOMMENDED PC BOARD LAYOUT
(COMPONENT SIDE)



NOTES

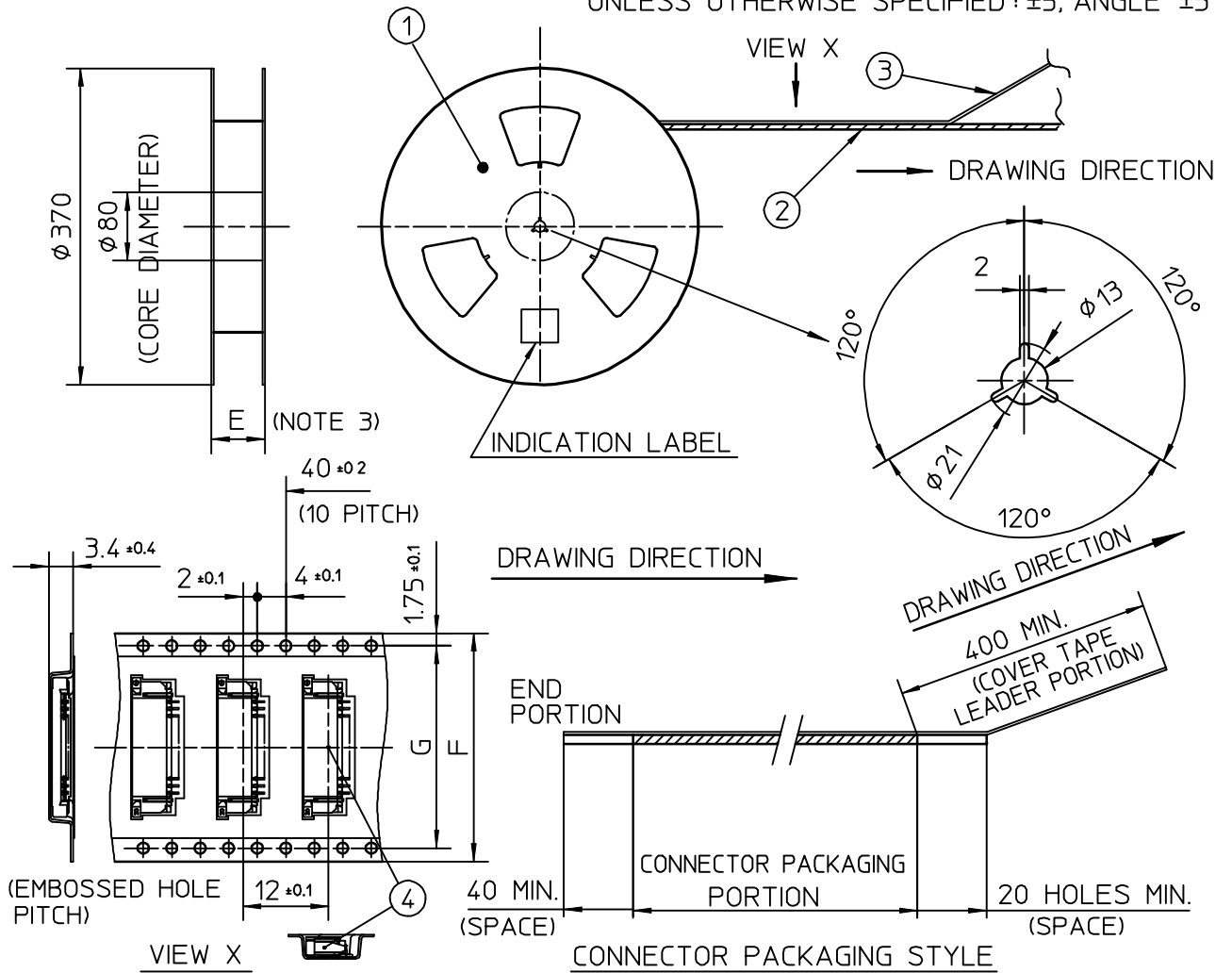
1. THIS PRODUCT IS THE CONNECTOR USED FOR FPC/FFC AND COPEs WITH AUTOMATIC MOUNTING (SMT).
2. FLATNESS FOR CONTACT TERMINAL HOUSING MUST BE WITHIN TOLERANCE IN Z PORTION DETAILED DRAWING.
3. THIS PRODUCT IS UPPER CONTACT TYPE CONNECTOR WITH CABLE LOCK MECHANISM.

					SCALE	∞		
					DIM. IN	mm	CAT NO.	
					DESIGNED		SFW__R-4ST__	
					DRAWN		DRAWING NO	REV
					CHECKED		JSA 93208	
					APPROVED			
REV.	DATE	DESCRIPTION	DWN.	APPD.	DATE			



DF-136
REV.B

TOLERANCES
UNLESS OTHERWISE SPECIFIED : ±5, ANGLE ±5°



PT. NO.	PARTS NAME	CAT. NO.	MATERIAL	Q'TY	NOTE
1	REEL	—	CARDBOARD	1	COLOR : WHITE
2	PLASTIC (EMBOSS) TAPE	—	PET	—	COLOR : TRANSPARENCY
3	COVER	—	POLYESTER	—	COLOR : TRANSPARENCY
4	SURFLOK CONNECTOR	SFW__R-4ST__	SEE ATTACHED DWG.	2000	UPPER CONTACT TYPE

NOTES

1. THIS IS PLASTIC TAPE PACKAGED CONNECTOR WITH CABLE LOCK MECHANISM USED FOR FPC/FFC AND COPEs WITH AUTOMATIC MOUNTING (SMT).
2. SEE JIS C 0806 (PACKING OF ELECTRONIC COMPONENTS ON CONTINUOUS TAPES (SURFACE MOUNTING DEVICES)) FOR SHAPE AND DIMENSIONS OF PLASTIC (EMBOSS) TAPE AND REEL.
3. E DIMENSION IS PORTION OF THE CORE.

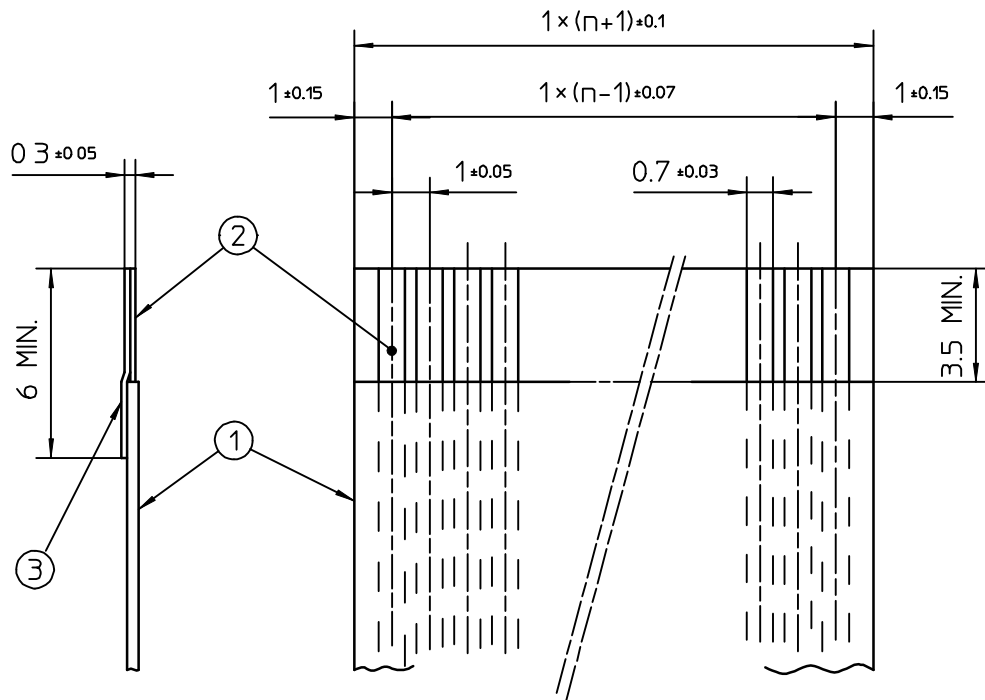
					SCALE	×		
					DIM. IN	mm	CAT NO.	
					DESIGNED		SFW__R-4STE1	
					DRAWN		DRAWING NO	REV
					CHECKED		JSA 93211	
					APPROVED			
REV.	DATE	DESCRIPTION	DWN.	APPD.	DATE			



DF-136
REV.B

RECOMMENDED CABLE (FFC)

n : NO. OF CONDUCTOR



PT. NO.	PARTS NAME	MATERIAL	NOTE
1	INSULATOR	FLAME RESISTING POLYESTER OR EQUAL	_____
2	CONDUCTOR	COPPER FOIL	PLATING : TIN OR SOLDER 1μm MIN.
3	SUPPORTING TAPE	FLAME RESISTING POLYESTER OR EQUAL	_____

NOTES

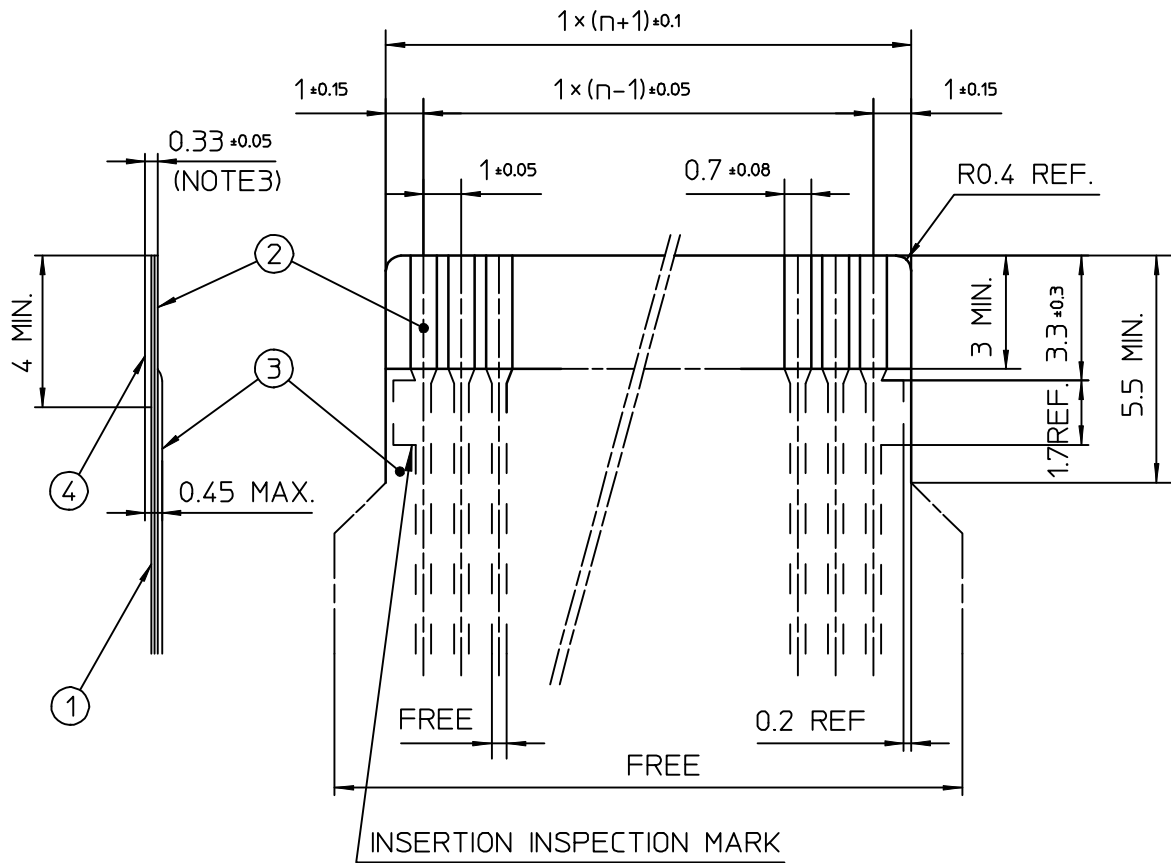
1. NO BURR AT EACH PORTION.
2. NO PEELING IN COMMON USE.

					SCALE	∞	RECOMMENDED CABLE	
					DIM. IN	mm	CAT NO.	
					DESIGNED		SFW__R-1/2__	
					DRAWN		DRAWING NO	REV
					CHECKED		JSA 91604	
					APPROVED			
REV.	DATE	DESCRIPTION	DWN.	APPD.	DATE		DF-136 REV.B	



RECOMMENDED CABLE (FPC)


n : NO. OF CONDUCTOR



PT. NO.	PARTS NAME	MATERIAL	THICKNESS (μm)
1	BASE FILM	POLYIMIDE OR POLYESTER OR EQUAL	25
2	CONDUCTOR	COPPER FOIL(PLATING : SOLDER 1μm MIN)	35
3	OVERLAY	POLYIMIDE OR POLYESTER OR EQUAL	—
4	SUPPORTING TAPE	POLYESTER OR POLYIMIDE OR EQUAL	188

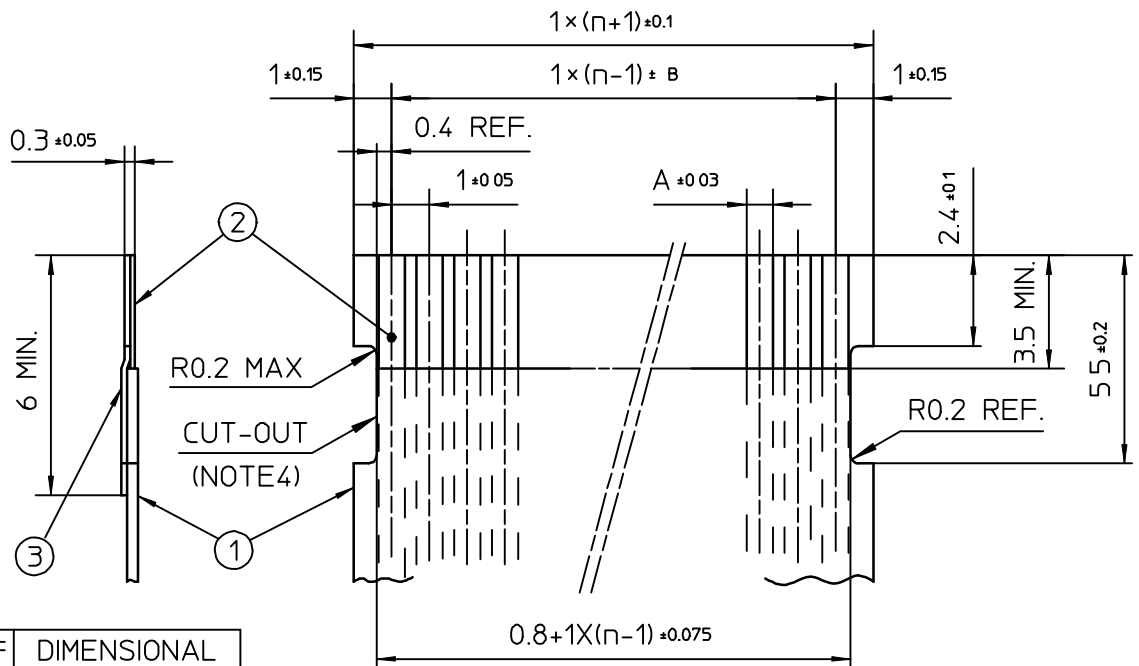
NOTES

1. NO BURR AT EACH PORTION.
2. NO PEELING IN COMMON USE
3. TOTAL THICKNESS LIMIT OF EACH MATERIAL (INCLUDING ADHESIVE AGENT) IS SPECIFIED.

					SCALE	∞	RECOMMENDED CABLE	
					DIM. IN	mm	CAT NO.	
					DESIGNED		SFW__R-1/2__	
					DRAWN		DRAWING NO	REV
					CHECKED		JSA 91605	
					APPROVED		 DF-136 REV.B	
REV.	DATE	DESCRIPTION	DWN.	APPD.	DATE			

RECOMMENDED CABLE (FFC)

n : NO. OF CONDUCTOR



KIND OF FFC (NOTES)	DIMENSIONAL TOLERANCE	
	A	B
1	0.7	0.1
2	0.6	0.07

PT NO	PARTS NAME	MATERIAL	NOTE
1	INSULATOR	FLAME RESISTING POLYESTER OR EQUAL	_____
2	CONDUCTOR	COPPER FOIL	PLATING : TIN OR SOLDER 1μm MIN.
3	SUPPORTING TAPE	FLAME RESISTING POLYESTER OR EQUAL	_____

NOTES

1. THIS DRAWING INDICATES THE FFC USED THE CONNECTOR WITH CABLE LOCK MECHANISM.
2. NO BURR AT EACH PORTION.
3. NO PEELING IN COMMON USE
4. THERE IS A POSSIBILITY THAT THE CAT-OUT CROSSES THE CONDUCTOR BECAUSE OF DIMENSIONAL TOLERANCE.
5. EITHER KIND1 OR KIND2 OF FFC CAN ACCEPT DIMENSIONAL TOLERANCE a AND b.

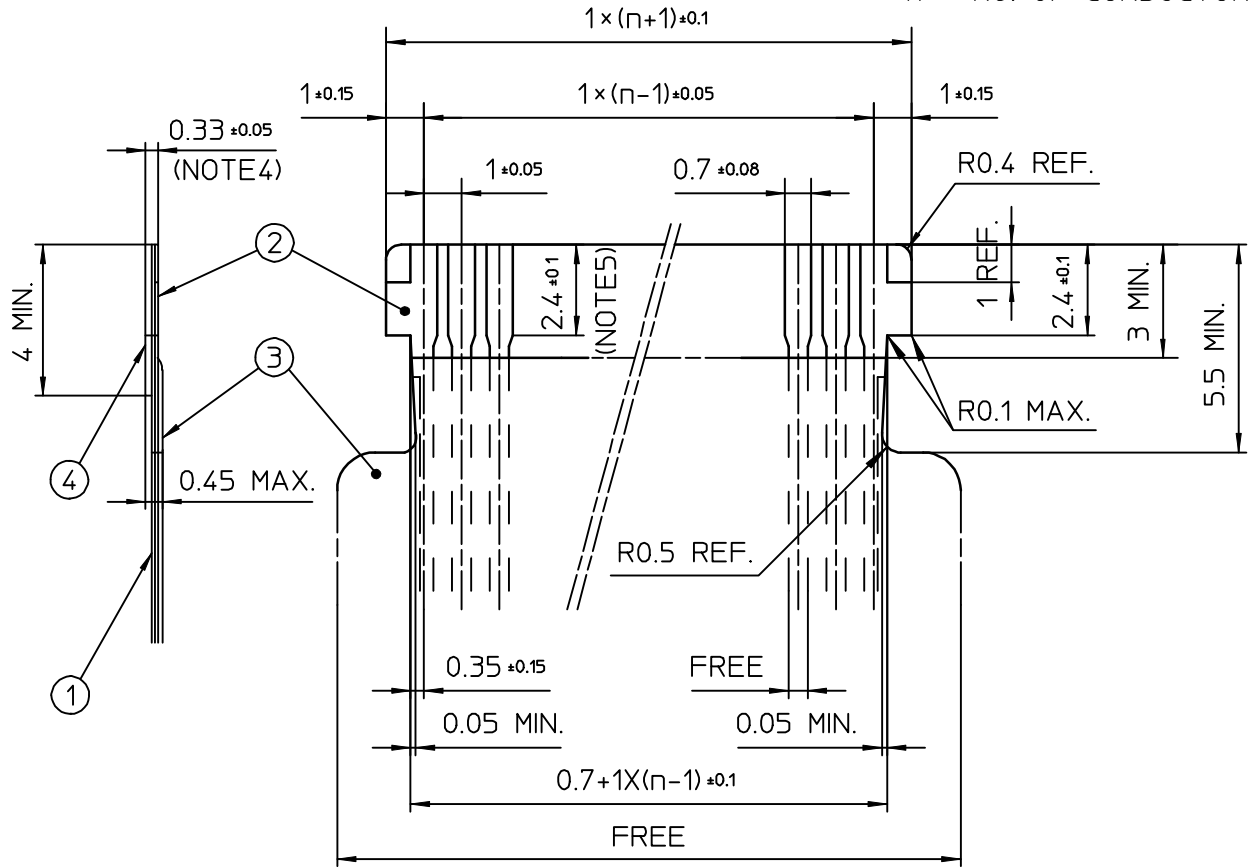
					SCALE	∞	RECOMMENDED CABLE	
					DIM. IN	mm	CAT NO.	
					DESIGNED		SFW__R-3/4__	
					DRAWN		DRAWING NO	REV
					CHECKED		JSA 93213	
					APPROVED			
REV.	DATE	DESCRIPTION	DWN.	APPD.	DATE			



DF-136
REV.B

RECOMMENDED CABLE (FPC)


n : NO. OF CONDUCTOR

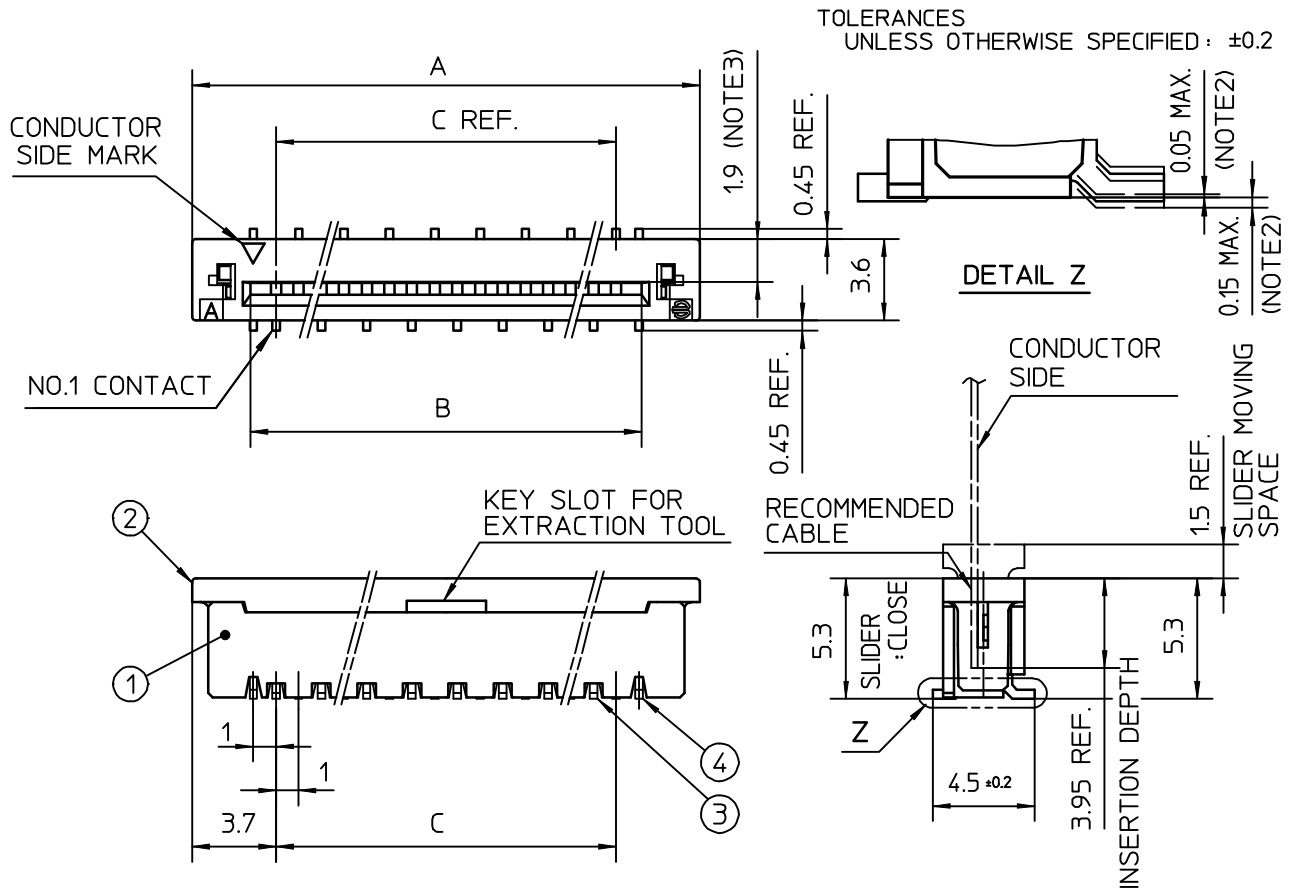


PT. NO.	PARTS NAME	MATERIAL	THICKNESS (μm)
1	BASE FILM	POLYIMIDE OR POLYESTER OR EQUAL	25
2	CONDUCTOR	COPPER FOIL(PLATING : SOLDER 1μm MIN.)	35
3	OVERLAY	POLYIMIDE OR POLYESTER OR EQUAL	—
4	SUPPORTING TAPE	POLYESTER OR POLYIMIDE OR EQUAL	188

NOTES

1. THIS DRAWING INDICATES THE FPC USED THE CONNECTOR WITH CABLE LOCK MECHANISM.
2. NO BURR AT EACH PORTION.
3. NO PEELING IN COMMON USE.
4. TOTAL THICKNESS LIMIT OF EACH MATERIAL (INCLUDING ADHESIVE AGENT) IS SPECIFIED.
5. THIS DIMENSION INDICATES THE RANGE FOR 0.7 ± 0.08 CONDUCTOR WIDTH

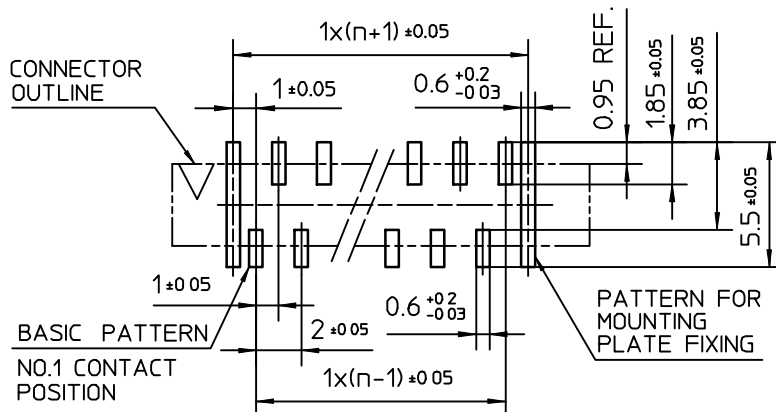
					SCALE	∞	RECOMMENDED CABLE	
					DIM. IN	mm	CAT NO.	
					DESIGNED		SFW__R-3/4__	
					DRAWN		DRAWING NO	REV
					CHECKED		JSA 93212	
					APPROVED			
REV.	DATE	DESCRIPTION	DWN.	APPD.	DATE		 DF-136 REV.B	



PT. NO.	PARTS NAME	MATERIAL	Q'TY	NOTE
1	HOUSING	GLASS FILLED THERMOPLASTIC RATED. (UL94V-0)	1	COLOR : BROWN
2	SLIDER		1	COLOR : BLACK
3	CONTACT	PHOSPHOR BRONZE	n	PLATING : TIN ALLOY
4	MOUNTING PLATE	BRASS	2	

n : NO. OF CONTACTS

RECOMMENDED PC BOARD LAYOUT
(COMPONENT SIDE)



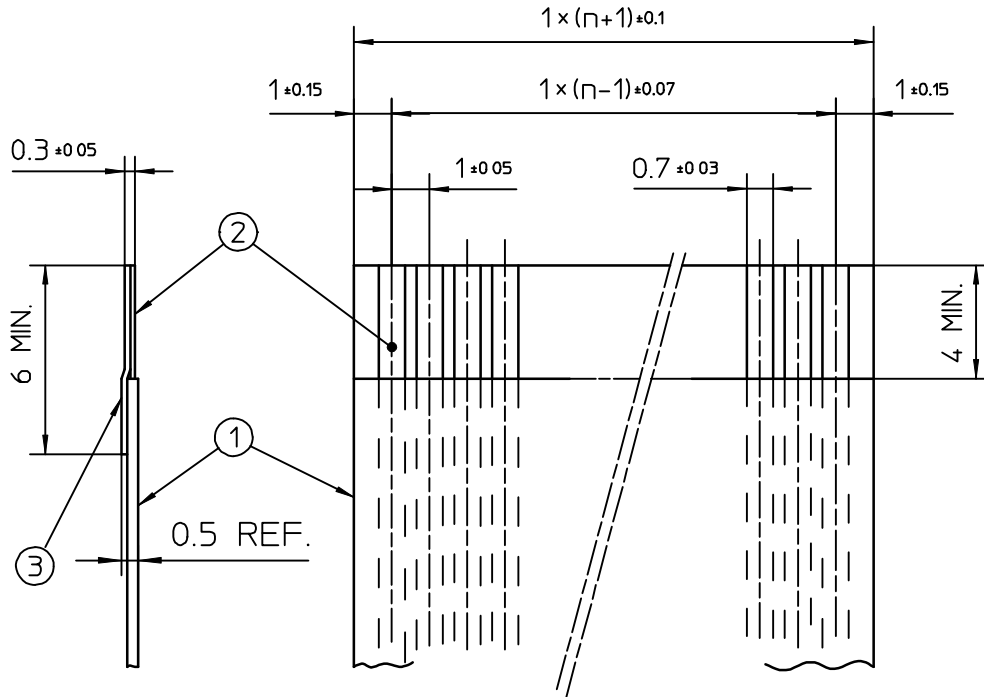
NOTES

1. THIS PRODUCT IS THE CONNECTOR DESIGNED TO TERMINATE FPC/FFC AND COPE WITH AUTOMATIC MOUNTING (SMT).
2. FLATNESS OF CONTACT TERMINAL AND MOUNTING PLATE FOR HOUSING MUST BE WITHIN TOLERANCE IN Z PORTION DETAILED DRAWING.
3. THIS DIMENSION IS SPACE FOR THE NOZZLE OF MOUNTER.

					SCALE	\times	1mm SPACING SURFACE MOUNT FPC/FFC CONNECTOR	
					DIM. IN	mm	CAT NO.	
					DESIGNED		SFW__S-2STM__	
					DRAWN		DRAWING NO	REV
					CHECKED		JSA 93836	
					APPROVED		DF-136 REV.B	
REV.	DATE	DESCRIPTION	DWN.	APPD.	DATE			

RECOMMENDED CABLE (FFC)


n : NO. OF CONDUCTORS



PT. NO.	DESCRIPTION	MATERIAL	NOTE
1	INSULATOR	FLAME RESISTING POLYESTER OR EQUIVALENT	_____
2	CONDUCTOR	COPPER FOIL	PLATING : TIN OR SOLDER 1μm MIN.
3	SUPPORTING TAPE	FLAME RESISTING POLYESTER OR EQUIVALENT	_____

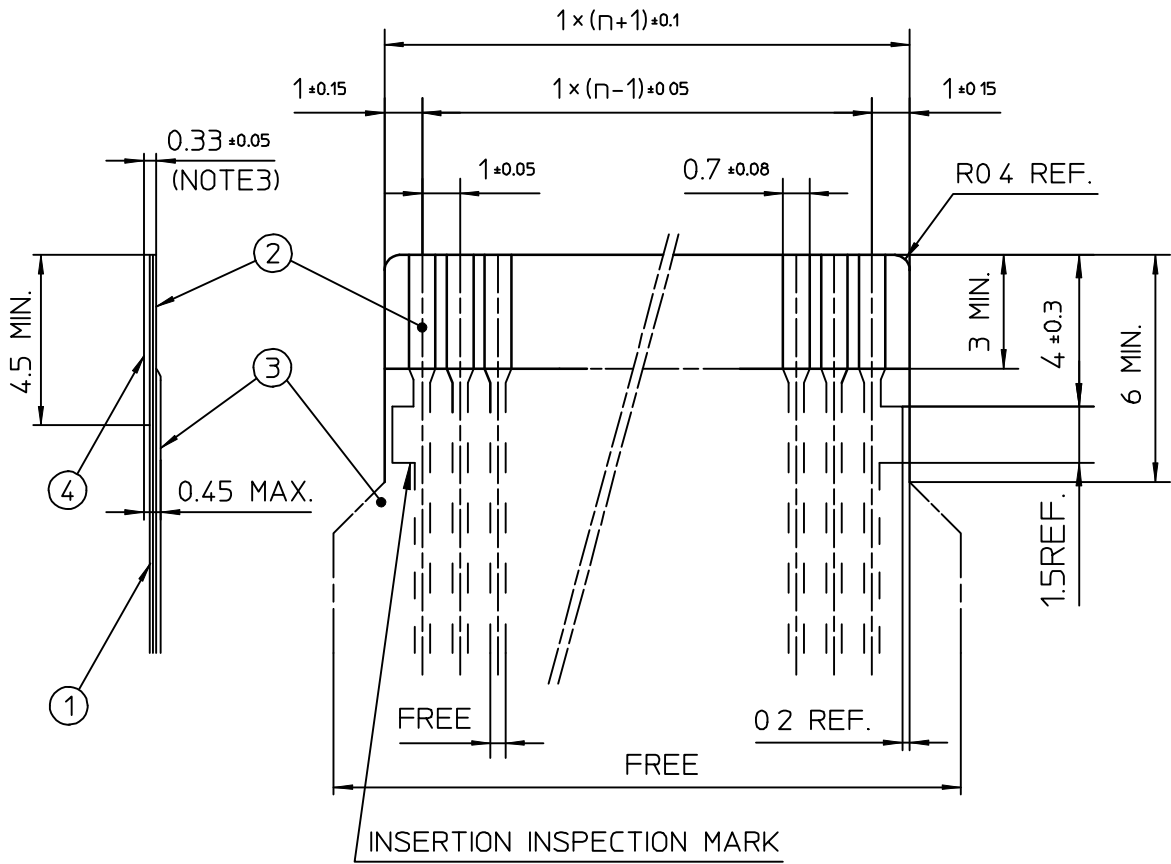
NOTES

1. NO BURR AT EACH PORTION.
2. NO PEELING IN COMMON USE.

					SCALE	∞	RECOMMENDED CABLE	
					DIM. IN	mm	CAT NO.	
					DESIGNED		SFW__S-2ST__	
					DRAWN		DRAWING NO	REV
					CHECKED		JSA 93341	
					APPROVED		 DF-136 REV.B	
REV.	DATE	DESCRIPTION	DWN.	APPD.	DATE			

RECOMMENDED CABLE (FPC)


n : NO. OF CONDUCTORS



PT. NO.	DESCRIPTION	MATERIAL	THICKNESS (μm)
1	BASE FILM	POLYIMIDE OR POLYESTER OR EQUIVALENT	25
2	CONDUCTOR	COPPER FOIL (PLATING · SOLDER 1μm MIN.)	35
3	OVERLAY	POLYIMIDE OR POLYESTER OR EQUIVALENT	—
4	SUPPORTING TAPE	POLYESTER OR POLYIMIDE OR EQUIVALENT	188

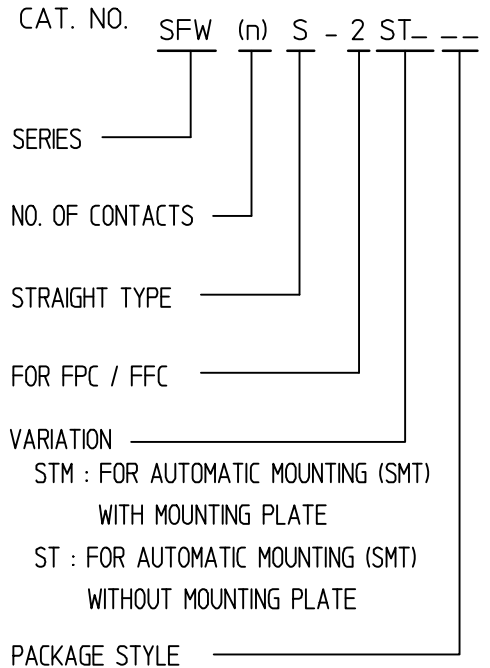
NOTES

1. NO BURR AT EACH PORTION
2. NO PEELING IN COMMON USE.
3. TOTAL THICKNESS LIMIT OF EACH MATERIAL (INCLUDING ADHESIVE AGENT) IS SPECIFIED.

					SCALE	∞	RECOMMENDED CABLE	
					DIM. IN	mm	CAT NO.	
					DESIGNED		SFW__S-2ST__	
					DRAWN		DRAWING NO	REV
					CHECKED		JSA 93340	
					APPROVED			
REV.	DATE	DESCRIPTION	DWN.	APPD.	DATE			
								
							DF-136 REV.B	


CAT. NO. & DIMENSIONS

NOTE3	NO. OF CONTACTS (n)	CAT. NO	DIMENSIONS (NOTE2)		
			A ±0.2	B ±0.2	C ±0.2
	4	SFW4S-2ST_---	10.4	5.24	3
	5	SFW5S-2ST_---	11.4	6.24	4
	6	SFW6S-2ST_---	12.4	7.24	5
*	7	SFW7S-2ST_---	13.4	8.24	6
	8	SFW8S-2ST_---	14.4	9.24	7
*	9	SFW9S-2ST_---	15.4	10.24	8
	10	SFW10S-2ST_---	16.4	11.24	9
*	11	SFW11S-2ST_---	17.4	12.24	10
*	12	SFW12S-2ST_---	18.4	13.24	11
*	13	SFW13S-2ST_---	19.4	14.24	12
*	14	SFW14S-2ST_---	20.4	15.24	13
*	15	SFW15S-2ST_---	21.4	16.24	14
	16	SFW16S-2ST_---	22.4	17.24	15
	17	SFW17S-2ST_---	23.4	18.24	16
*	18	SFW18S-2ST_---	24.4	19.24	17
*	19	SFW19S-2ST_---	25.4	20.24	18
	20	SFW20S-2ST_---	26.4	21.24	19
*	21	SFW21S-2ST_---	27.4	22.24	20
	22	SFW22S-2ST_---	28.4	23.24	21
*	23	SFW23S-2ST_---	29.4	24.24	22
	24	SFW24S-2ST_---	30.4	25.24	23
*	25	SFW25S-2ST_---	31.4	26.24	24
	26	SFW26S-2ST_---	32.4	27.24	25
*	27	SFW27S-2ST_---	33.4	28.24	26
	28	SFW28S-2ST_---	34.4	29.24	27
*	29	SFW29S-2ST_---	35.4	30.24	28
	30	SFW30S-2ST_---	36.4	31.24	29
*	31	SFW31S-2ST_---	37.4	32.24	30
*	32	SFW32S-2ST_---	38.4	33.24	31



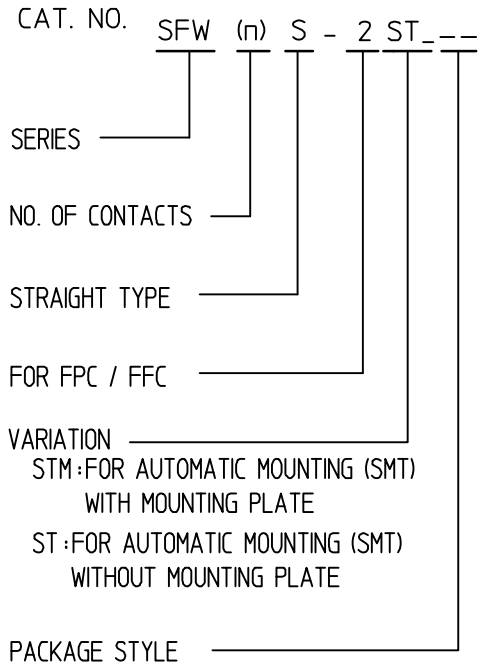
NOTES

1. THIS PRODUCT IS THE CONNECTOR, DESIGNED TO TERMINATE FPC/FFC AND COPE WITH AUTOMATIC MOUNTING (SMT).
2. SEE PART DRAWINGS FOR DIMENSIONS A.B.C.
3. PLEASE CONSULT US IN CASE OF USING PARTS WITH * MARK

					SCALE	∞	CAT. NO. TABLE FOR 1mm SPACING SMT CONNECTOR	
					DIM. IN	mm	CAT NO.	
					DESIGNED		SFW__S-2ST_---	
					DRAWN		DRAWING NO	REV
					CHECKED		JSA 93342	
					APPROVED		 DF-136 REV.B	
REV.	DATE	DESCRIPTION	DWN.	APPD.	DATE			


CAT. NO. & DIMENSIONS

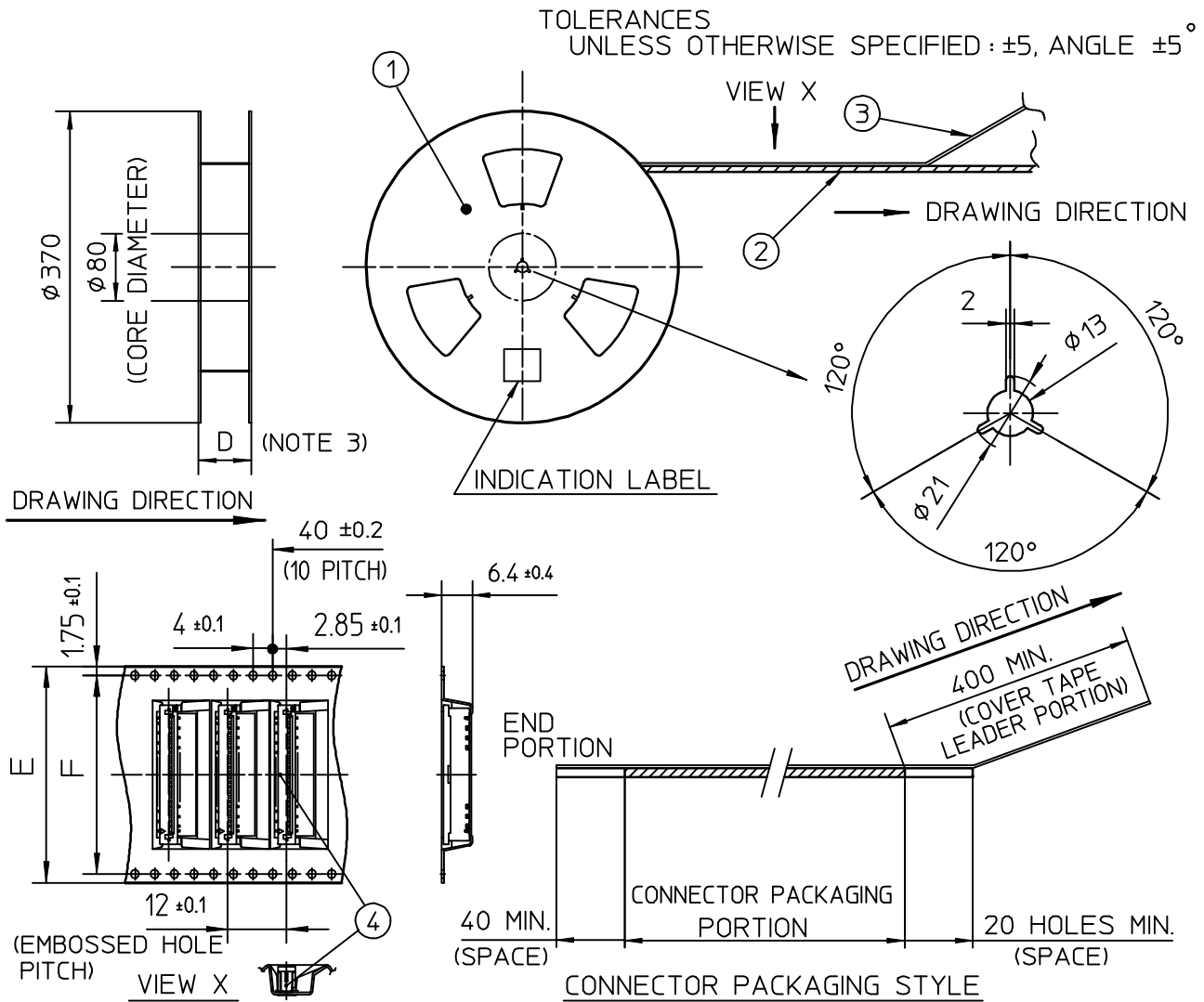
(NOTE4)	NO. OF CONTACTS (n)	CAT. NO. (NOTE2)	DIMENSIONS (NOTE3)		
			D ± 5	E ± 0.3	F ± 0.1
	4	SFW4S-2ST_E1	28.4	24	—
	5	SFW5S-2ST_E1	28.4	24	—
	6	SFW6S-2ST_E1	28.4	24	—
*	7	SFW7S-2ST_E1	28.4	24	—
	8	SFW8S-2ST_E1	28.4	24	—
*	9	SFW9S-2ST_E1	28.4	24	—
	10	SFW10S-2ST_E1	28.4	24	—
*	11	SFW11S-2ST_E1	28.4	24	—
*	12	SFW12S-2ST_E1	36.4	32	28.4
*	13	SFW13S-2ST_E1	36.4	32	28.4
*	14	SFW14S-2ST_E1	36.4	32	28.4
*	15	SFW15S-2ST_E1	36.4	32	28.4
	16	SFW16S-2ST_E1	48.4	44	40.4
	17	SFW17S-2ST_E1	48.4	44	40.4
*	18	SFW18S-2ST_E1	48.4	44	40.4
*	19	SFW19S-2ST_E1	48.4	44	40.4
	20	SFW20S-2ST_E1	48.4	44	40.4
*	21	SFW21S-2ST_E1	48.4	44	40.4
	22	SFW22S-2ST_E1	48.4	44	40.4
*	23	SFW23S-2ST_E1	48.4	44	40.4
	24	SFW24S-2ST_E1	48.4	44	40.4
*	25	SFW25S-2ST_E1	48.4	44	40.4
	26	SFW26S-2ST_E1	48.4	44	40.4
*	27	SFW27S-2ST_E1	60.4	56	52.4
	28	SFW28S-2ST_E1	60.4	56	52.4
*	29	SFW29S-2ST_E1	60.4	56	52.4
	30	SFW30S-2ST_E1	60.4	56	52.4
*	31	SFW31S-2ST_E1	60.4	56	52.4
*	32	SFW32S-2ST_E1	60.4	56	52.4



NOTES

1. THIS PRODUCT IS THE CONNECTOR DESIGNED TO TERMINATE FPC/FFC AND COPELS WITH AUTOMATIC MOUNTING (SMT).
2. THIS CATALOG NO. INDICATES PLASTIC TAPE PACKAGED CONNECTOR.
3. SEE PART DRAWINGS FOR DIMENSIONS D-F
4. PLEASE CONSULT US IN CASE OF USING PARTS WITH * MARK.

					SCALE	∞	CAT NO. TABLE FOR PLASTIC TAPE PACKAGED 1mm SPACING SMT CONN.	
					DIM. IN	mm	CAT NO.	
					DESIGNED		SFW__S-2ST_E1	
					DRAWN		DRAWING NO	REV
					CHECKED		JSA 93343	
					APPROVED		 DF-136 REV.B	
REV.	DATE	DESCRIPTION	DWN.	APPD.	DATE			



PT NO.	PARTS NAME	CAT. NO.	MATERIAL	Q'TY	NOTE
1	REEL	_____	CARDBOARD	1	COLOR : GRAY
2	PLASTIC (EMBOSSED) TAPE	_____	PET	_____	COLOR : TRANSPARENCY
3	COVER	_____	POLYESTER	_____	COLOR : TRANSPARENCY
4	CONNECTOR	SFW__S-2ST__	SEE ATTACHED DWG.	1000	_____

NOTES

1. THIS IS PLASTIC TAPE PACKAGED CONNECTOR USED FOR FPC/FFC AND COPES WITH AUTOMATIC MOUNTING (SMT).
2. SEE JIS C 0806 (PACKING OF ELECTRONIC COMPONENTS ON CONTINUOUS TAPES (SURFACE MOUNTING DEVICES)) FOR SHAPE AND DIMENSIONS OF PLASTIC (EMBOSSED) TAPE AND REEL.
3. F DIMENSION IS PORTION OF THE CORE.

					SCALE	×	PLASTIC TAPE PACKAGED 1mm SPACING SMT CONNECTOR	
					DIM. IN	mm	CAT NO.	
					DESIGNED		SFW__S-2ST_E1	
					DRAWN		DRAWING NO	REV
					CHECKED		JSA 93338	
					APPROVED		DF-136 REV.B	
REV.	DATE	DESCRIPTION	DWN.	APPD.	DATE			