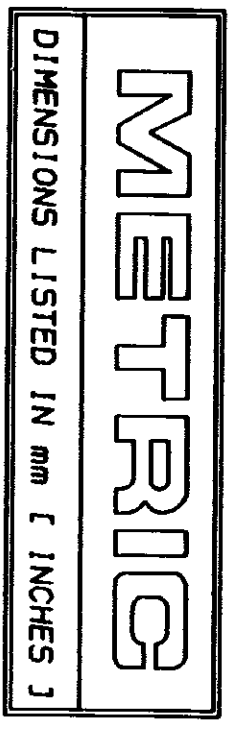
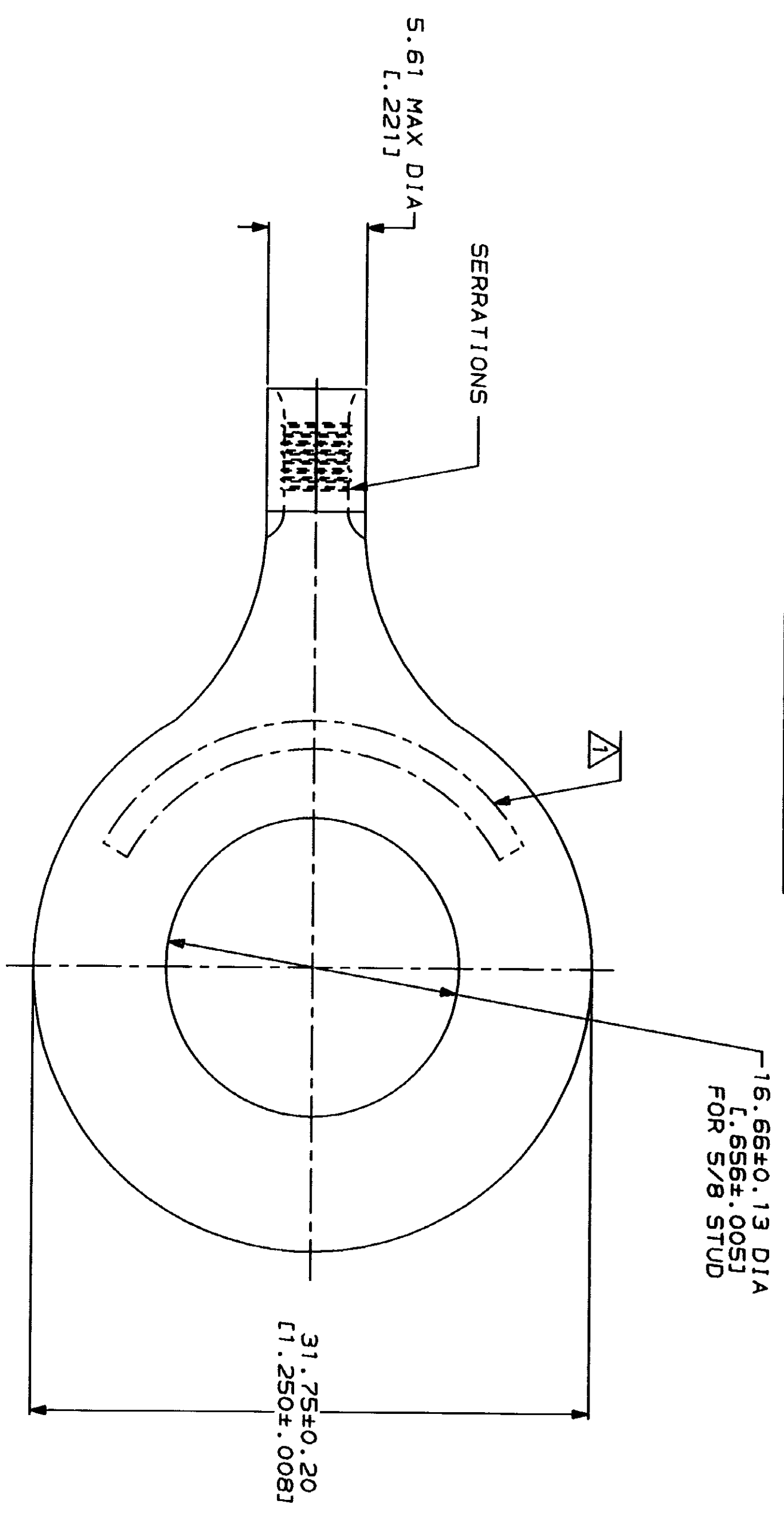


LOC	DIST	REV	ZONE	DATE	APPD
G	14		A	2/28/94	DAV



WIRE RANGE	UL E13288 Listed
12-10 AWG STRANDED	12-10 AWG STRANDED
NOT CERTIFIED	MILITARY P/N AND CLASS
CERTIFIED	NOT APPLICABLE



△ STAMP AMP 12-10* APPROX AS SHOWN

AMP INCORPORATED
 CUSTOMER SERVICE SYSTEMS

FOR ADDITIONAL PRODUCT INFORMATION OR COPIES OF DRAWINGS AND TECHNICAL DOCUMENTS
 1-800-522-6752

FOR APPLICATION TOOLING INFORMATION
 1-800-722-1111

FOR ORDER ENTRY
 1-800-526-5142

MAX RECOMMENDED OPERATING TEMPERATURE: 170°C MAX

VOLTAGE RATING: NOT APPLICABLE

WIRE CROSS SECTIONAL AREA RANGE: 2.62-6.64mm² [5,180-13,100] CIR MILS STRANDED

DO NOT SCALE PRINT. UNLESS SPECIFIED DIMENSIONS IN MILLIMETERS - TOLERANCES ON: 2 PLC DEC # - - 3 PLC DEC # - - ANGLES MATERIAL COPPER PER ASTM B-152 ANNEALED

FINISH TIN PLATE

0.00254 [L.000100] MIN THK PER MIL-T-10727

DR 2-9-93	TA BRINKMAN
CHK 2-9-93	DA PATTERSON
APPD 2-9-93	DE MILLER
APPD 2-9-93	JL NECKLEY

AMP
 AMP Incorporated
 Harrisburg, PA 17105-3608

TERMINAL, RING TONGUE,
 BUDGET

NAME	SIZE	CAGE CODE	DRAWING NO
		00779	320761
SCALE	4:1		