

H MICRO SWITCH
 FREEPORT, ILLINOIS, U.S.A.
 A DIVISION OF HONEYWELL

SWITCH-BASIC

★ **V 3-1**

CK-A0100

5

FED. MFG. CODE 91929

V 3-1

M

DRAWING NUMBER

ISSUE
 18 MAY 65
 18 MAY 65

REVISIONS

CO 20189
 M B F
 MAY 65

CO 21688
 B F
 OCT 66

CO 24941
 B S
 DEC 68

CO 26075
 A B S
 AUG 69

CO 31509
 D A W
 JAN 73

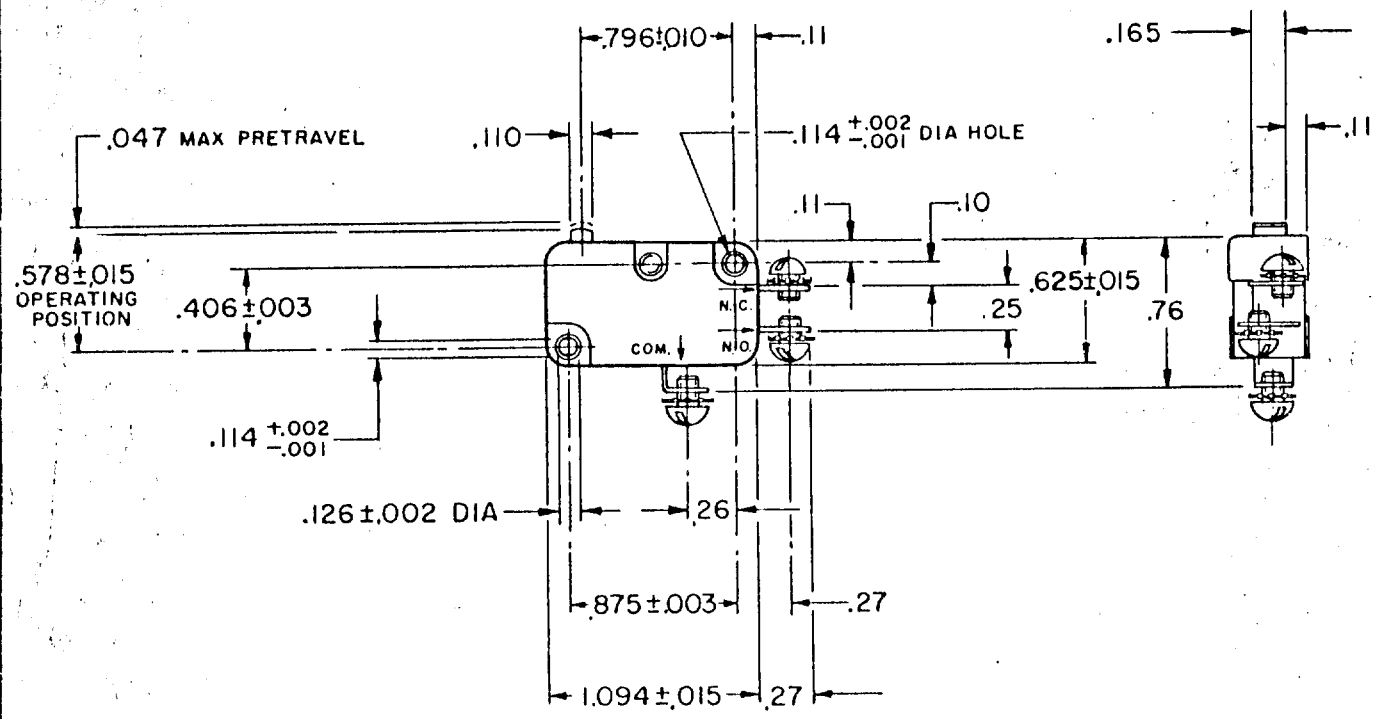
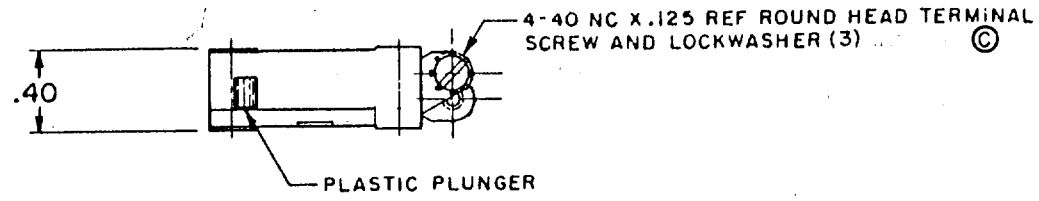
CO 32395
 GLH
 AUG 73

CO 56987
 SMA
 OCT 85

CO 74634
 R D R
 MAY 93

FC-50378

REPLACES
 RELEASE NO.
 CHECK PFK 18 MAY 65
 CHECK L S D 18 MAY 65
 CHECK G C H 6 MAY 65
 CHECK G C H 6 MAY 65
 DRAWN



THIS DRAWING COVERS A PROPRIETARY ITEM AND IS THE PROPERTY OF MICRO SWITCH, A DIVISION OF HONEYWELL. THIS DRAWING IS NOT TO BE COPIED OR USED WITHOUT THE APPROVAL OF MICRO SWITCH.

CHARACTERISTICS	ELECTRICAL DATA	SCALE FULL
OPERATING FORCE — — — — 6-14 OZ	CONTACT ARRANGEMENT S P D T	DO NOT SCALE PRINT
RELEASE FORCE — — — — 4 OZ MIN	L83 15.1A 1/2HP 125 OR 250 VAC 1/2A 125 VDC, 1/4A 250 VDC 5A 125 VAC "L" RJ Ⓢ	UNLESS OTHERWISE NOTED
DIFFERENTIAL TRAVEL — — .006 — .016		DIMENSIONS ARE IN INCHES
OVERTRAVEL — — — — .040 MIN		TOLERANCES ARE:
FREE POSITION — — — — .625 MAX		ONE PLACE (.0) ±.050
RELEASE TRAVEL — — — — .007 MIN	TWO PLACE (.00) ±.015	
		THREE PLACE (.000) ±.005
		ANGLES ±
		WEIGHT .017 LB