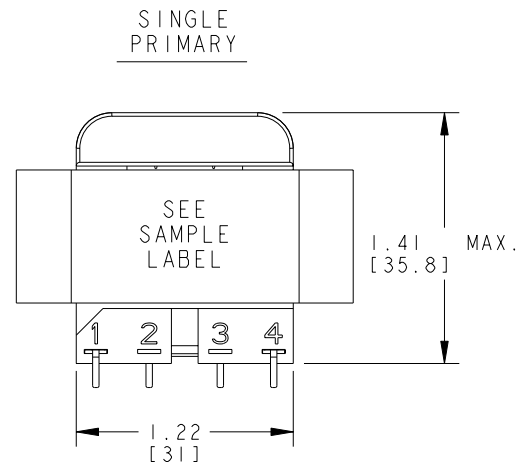
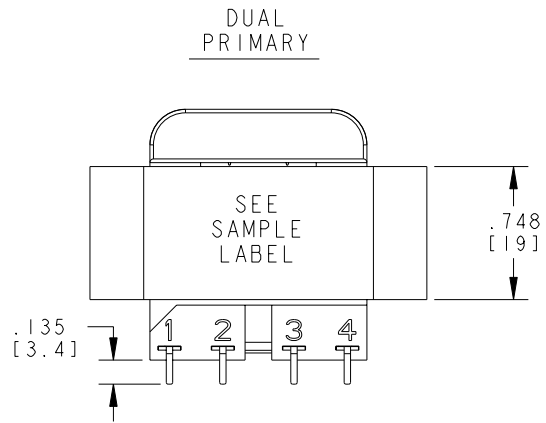


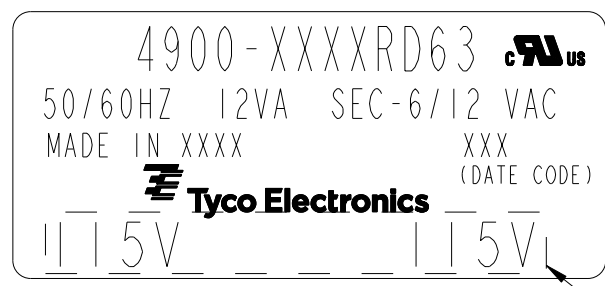
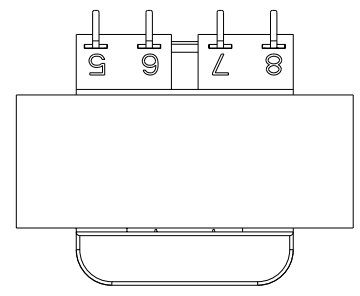
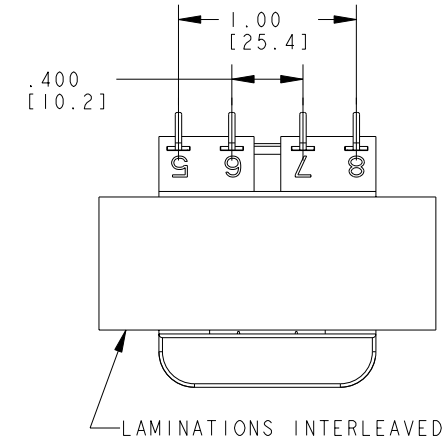
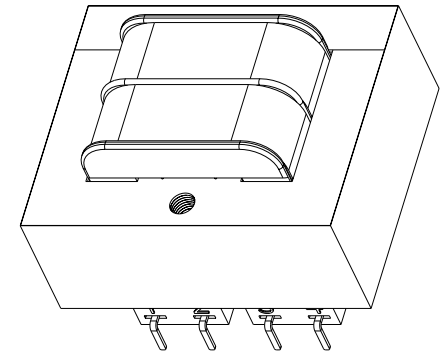
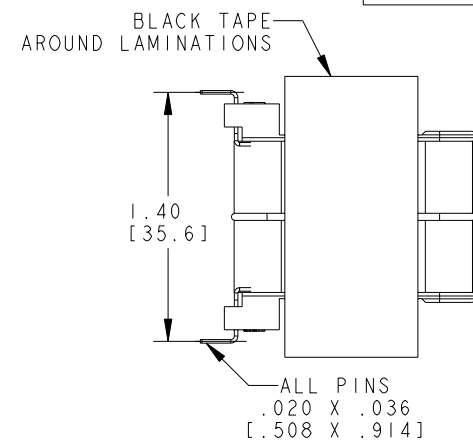
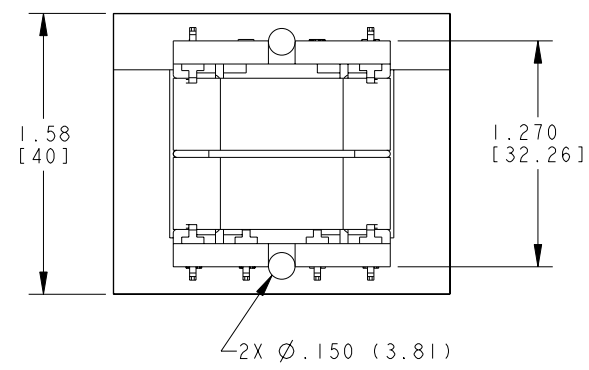
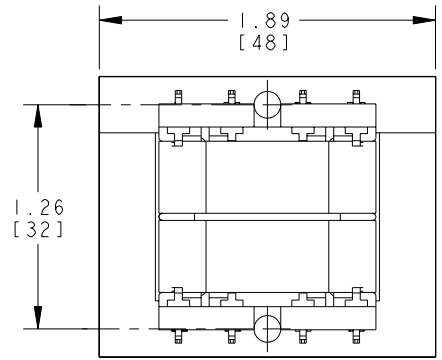
THIS DRAWING IS UNPUBLISHED. RELEASED FOR PUBLICATION 20  
 © COPYRIGHT 20 BY TYCO ELECTRONICS CORPORATION. ALL RIGHTS RESERVED.

LOC	DIST	REVISIONS					
		P	LTR	DESCRIPTION	DATE	DWN	APVD
GZ	00	C		ECR-09-005727	02APR2009	JS	JH
		D		ECR-09-011630	11JUN2009	JS	DB



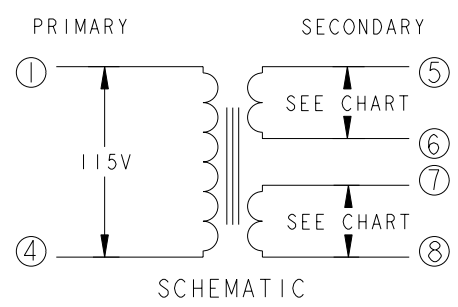
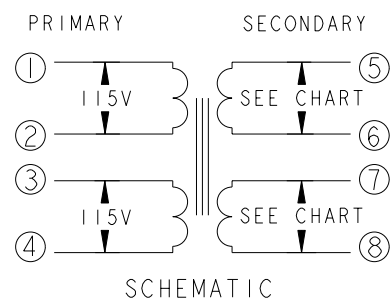
CERTIFICATION: UL/CUL FILE NO. E102980 HZ. 50/60 V.A. 12  
 DIMENSIONS FOR REFERENCE ONLY.

PRIMARY	SECONDARY		P.U. PART NUMBER	TYCO ELECTRONICS
	SERIES	PARALLEL		PART NUMBER
115 VAC	12 VCT	6 VAC	4900-8012RD63	1672325-2
115 VAC	12.6 VCT	6.3 VAC	4900-8013RD63	1672325-3
115 VAC	24 VCT	12 VAC	4900-8024RD63	1672325-6
115 VAC	28 VCT	14 VAC	4900-8028RD63	1672325-7
115 VAC	48 VCT	24 VAC	4900-8048RD63	1-1672325-0
115/230 VAC	12 VCT	6 VAC	4900-9012RD63	1-1672325-4
115/230 VAC	12.6 VCT	6.3 VAC	4900-9013RD63	1-1672325-5
115/230 VAC	24 VCT	12 VAC	4900-9024RD63	1-1672325-8
115/230 VAC	28 VCT	14 VAC	4900-9028RD63	1-1672325-9
115/230 VAC	48 VCT	24 VAC	4900-9048RD63	2-1672325-2



SAMPLE LABEL SCALE: 5:1

VOLTAGE ON LABEL WILL VARY PER MODEL NUMBER



<small>THIS DRAWING IS A CONTROLLED DOCUMENT FOR TYCO ELECTRONICS CORPORATION. IT IS SUBJECT TO CHANGE AND THE CONTROLLING ENGINEERING ORGANIZATION SHOULD BE CONTACTED FOR THE LATEST REVISION.</small>		DWN J. SLIKE 22 JUL 2008	Tyco Electronics Harrisburg, PA 17105-3608	
DIMENSIONS: INCHES [mm]		CHK J. HURLBURY 22 JUL 2008	NAME TRANSFORMER OUTLINE	
<small>TOLERANCES UNLESS OTHERWISE SPECIFIED:</small> 0 PLC ± 1 PLC ± 2 PLC ±.01 3 PLC ±.005 4 PLC ± ANGLES ± FINISH		APVD J. HURLBURY 22 JUL 2008	RESTRICTED TO	
MATERIAL		PRODUCT SPEC	APPLICATION SPEC	WEIGHT
		SIZE A2	CAGE CODE 00779	DRAWING NO. 4900-RD63
		CUSTOMER DRAWING		SCALE 5:1 SHEET 1 OF 1 REV D