



QUARTER TURN COMPRESSION LOCK | VERSION 1

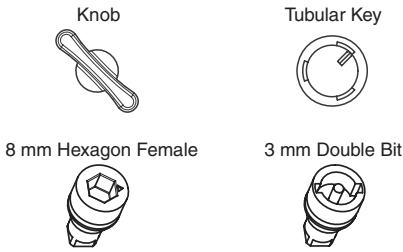
*Example with cam.
Cam sold separately.



Specifications

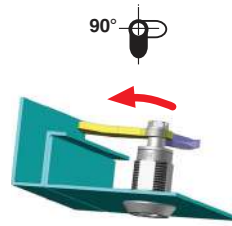
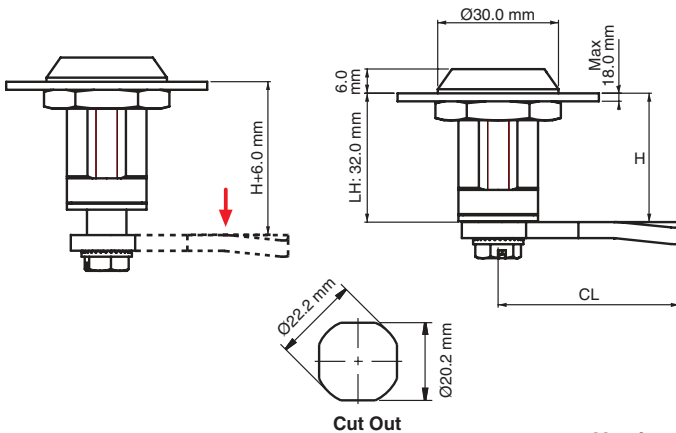
- Material:
 - Housing: Zinc Alloy (Zamak) DIN-EN 1774-ZnAl4Cu1
 - Driver: Zinc Alloy (Zamak) DIN-EN 1774-ZnAl4Cu1
 - Cam: Steel
 - Gasket: Rubber
- Finish: Chrome or black coated
- Provides 6 mm of compression
- Working Temperature Range: -58°F to 176°F (-50°C to 80°C)
- M22 Nut : Should be installed with 60 Nm
- M10 Nut: Should be installed with 10 Nm
- Max load capacity: 562 N

Drivers

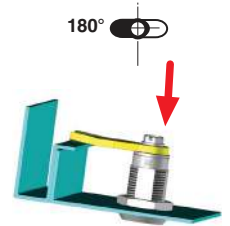


Features

- Used for enclosures that require better sealing under vibrating conditions
- Provides noise isolation
- Alternative drivers / cams available
- Standard cams without stopper required for these locks
- The lock has been tested according to the DIN EN 61373 Category 1-B for vibration and shock
- Sealing glue is applied to the nut threads to get extra fastness against vibration and shock
- Applications: Electric panels, machinery covers, railway applications, construction equipment



Unlock position
The first 90° of key rotation turns the cam to locking position

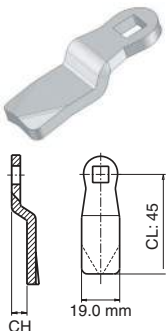


Lock position
Further key rotation 180° applies compression

Version 1

Item Number		Driver	Hand
Chrome	Black		
0401111300001	0401121300001	3mm Double bit	Right
0401111300002	0401121300002	3mm Double bit	Left
0401116800001	0401126800001	8 mm Hex	Right
0401116800002	0401126800002	8mm Hex	Left
0401119300001	0401129300001	Tubular Key	Right
0401119300002	0401129300002	Tubular Key	Left
0401119400001	0401129400001	Wing Knob	Right
0401119400002	0401129400002	Wing Knob	Left

Steel Cam



Item Number	CH (mm)	CL (mm)	H (mm)
30403117	0.0	45.0	32.0
30403557	1.0	45.0	33.0
30403581	2.0	45.0	34.0
30403054	3.0	45.0	35.0
30403197	4.0	45.0	36.0
30403128	6.0	45.0	38.0
30403583	8.0	45.0	40.0
30403584	10.0	45.0	42.0
30403123	12.0	45.0	44.0
30403422	14.0	45.0	46.0
30403410	16.0	45.0	48.0

Item Number	CH (mm)	CL (mm)	H (mm)
30403429	18.0	45.0	50.0
30403585	20.0	45.0	52.0
30403586	22.0	45.0	54.0
30403411	24.0	45.0	56.0
30403425	-2.0	45.0	30.0
30403198	-4.0	45.0	28.0
30403423	-6.0	45.0	26.0
30403412	-8.0	45.0	24.0
30403552	-10.0	45.0	22.0
30403587	-12.0	45.0	20.0
30403420	-14.0	45.0	18.0