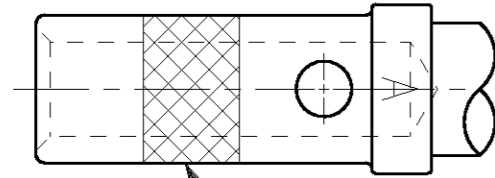
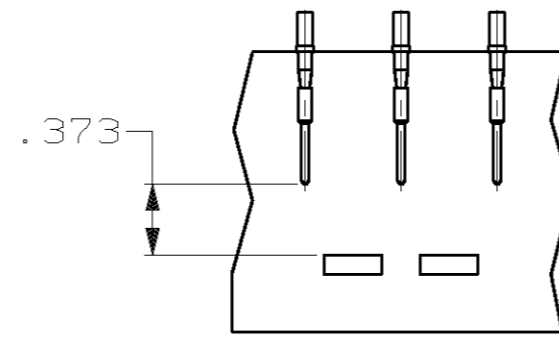


THIS DRAWING IS UNPUBLISHED. RELEASED FOR PUBLICATION .19
 © COPYRIGHT 19 BY AMP INCORPORATED. ALL RIGHTS RESERVED.

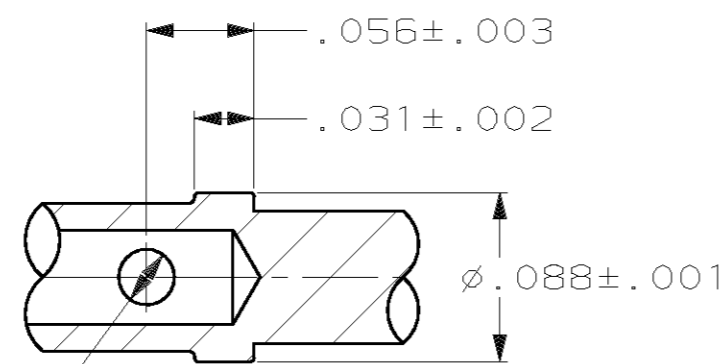
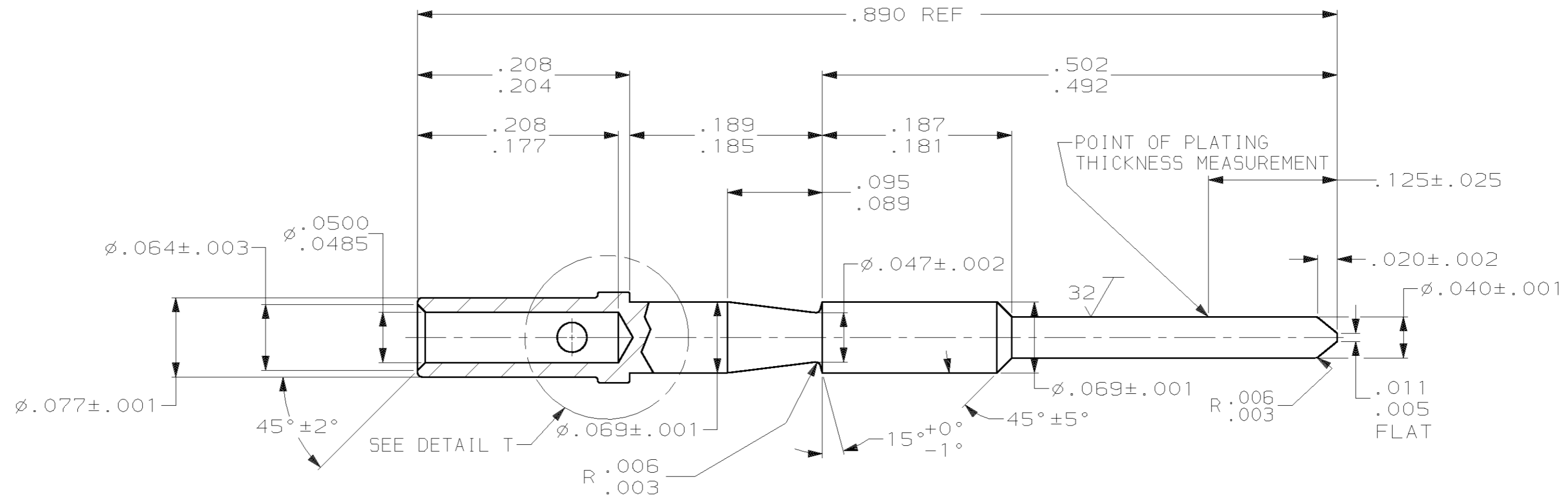
LOC	DIST	REVISIONS					
DF	AO	P	LTR	DESCRIPTION	DATE	DWN	APVD
		J		REV & REDRAWN; 0600-8098-98	7-99	CT	BG



COLOR CODE GREEN



TAPE MOUNTED ASS'Y
 SCALE 1:1
 203840-3 ONLY



DETAIL T

OBSELETE	TAPE MOUNTED	203840-3
	AS SHOWN	203840-2
	REMARKS	PART NUMBER

THIS DRAWING IS A CONTROLLED DOCUMENT.		DWN C.C. THOMAS 7-26-99	AMP Incorporated Harrisburg, PA 17105-3608	
DIMENSIONS: INCHES		CHK B. GROSS 7-27-99	NAME CONTACT, PIN, SIZE 20, ARINC 404	
TOLERANCES UNLESS OTHERWISE SPECIFIED: 0 PLC \pm 1 PLC \pm 2 PLC \pm 3 PLC $\pm .005$ 4 PLC \pm ANGLES \pm		APVD B. GROSS 7-27-99	SIZE A2	
MATERIAL COPPER PER ASTM-B-301		WIRE RANGE 20-24	CAGE CODE 00779	DRAWING NO C-203840
FINISH .000050 MIN GOLD PER MIL-G-45204 OVER COPPER		APPLICATION SPEC -	RESTRICTED TO -	SCALE 10:1
CUSTOMER DRAWING		WEIGHT -	SHEET 1 OF 1	REV J