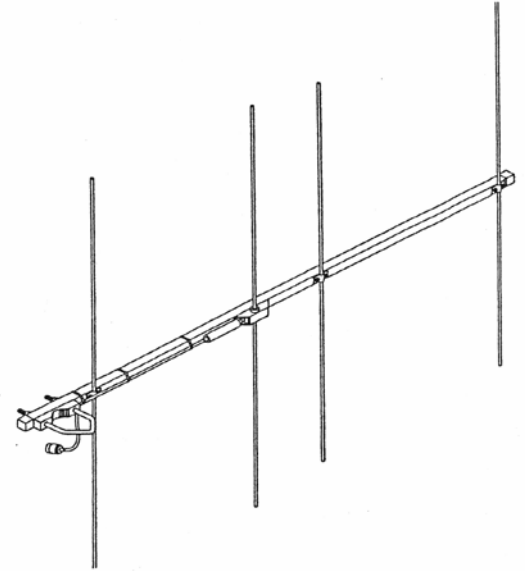


ANTENNA TECHNOLOGIES LIMITED COMPANY

# Model 220-4H Heavy Duty VHF Yagi Antenna

## Key Features

- ✓ **“EverSealed”** feed system is impervious to ice, moisture and the impact of harsh environments. No field tuning is required.
- ✓ Rugged, square tube boom and solid aluminum rod elements for greater durability.
- ✓ Custom V-Blocks and V-Bolts for secure mounting.



| Electrical Specifications          | 220-4H                 |
|------------------------------------|------------------------|
| Frequency Range, MHz               | 215-225                |
| Gain, dBd                          | 7 typical              |
| Front to Back Ratio, dB            | 16 minimum; 18 typical |
| VSWR (50 Ohms)                     | 1.2:1 typical          |
| 1.5:1 Bandwidth MHz                | 10 minimum; 14 typical |
| 3 dB Beamwidth E/H Planes, degrees | 61/90                  |
| Stacking Distance, E/H, inches     | 45/30                  |
| Maximum Power, watts               | 150*                   |
| Cable type/length                  | RG58 type, 2 (.61)     |
| Connector                          | N Female               |
| Polarization                       | Horizontal or Vertical |

\* Limited by feedline. Higher power ratings are available as an option.



| Mechanical Specifications             | 220-4H                                     |
|---------------------------------------|--|
| Number of Elements                    | 4  |
| Boom Length, feet (m)                 | 2.75 (.84)                                 |
| Boom Material                         | 1.0" by .1.0" square tube 6061-T6 aluminum |
| Element Material                      | .25" diameter 6061-T6 aluminum rod         |
| Mast Diameter, inches, (cm)           | 1.25-2.00 (3.2-5.1)                        |
| Mounting                              | Rear                                       |
| Wind Surface Areas, feet <sup>2</sup> | .4 (.037)                                  |
| Wind Survival, mph (kph)              | 150 (240)                                  |
| Weight, pounds (kg)                   | 3.0 (1.4)                                  |

22560 Glenn Drive #114 | Sterling, Virginia 20164  
[www.atcllc.com](http://www.atcllc.com) [sales@atcllc.com](mailto:sales@atcllc.com)  
Office: 703-450-5517

ATLC products for military use may be subject to U.S. ITAR EXPORT CONTROLS, an export license may be required.