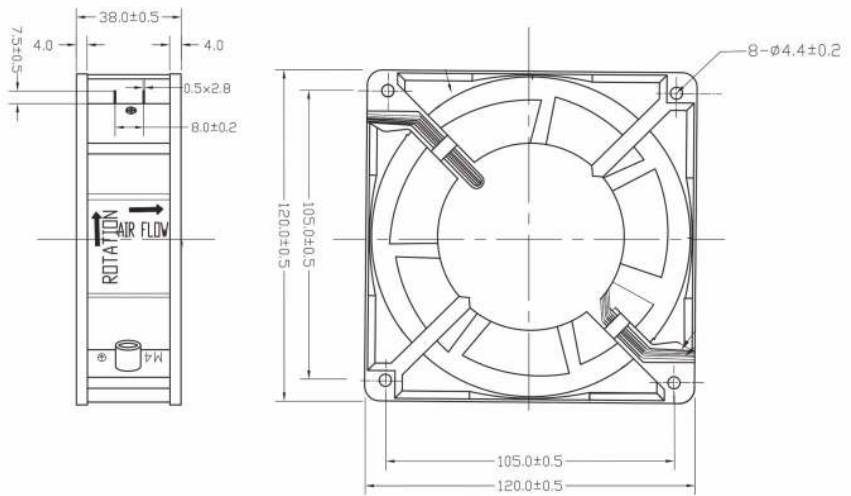


OA109AP XC Series



AC Fans - 115, 230V
120mm x 38mm (4.75" x 1.5")



Frame	Die Cast Aluminum, Black Finish	Operating Temperature -10°C ~ +65°C Storage Temperature -20°C ~ +80°C Life Expectancy 60,000 Hours (L10 at 40°C) Available Options IP / Salt Fog Ratings Weight: 1.2 lbs.	
Impeller	PBT, UL94 V-0 Plastic		
Power Connection	2x Lead Wires, UL 1430 24 AWG 300mm, or Terminals		
Motor	AC Capacitor Induction, Thermally Protected		
Bearing System	Ball Bearings		
Dielectric Strength	1500VAC/min, <1mA		
Insulation Resistance	≥10MΩ @ 500V DC		

Part Number	Rated Voltage (Volts AC)	Voltage Range (Volts AC)	Frequency (Hertz)	Rated Power (Watts)	Rated Current (Amps)	Rated Speed (RPM)	Max Airflow (CFM)	Noise Level (dBA)	Max Static Pressure (\"H ₂ O)
OA109AP-11-1*BXC	115	100 ~ 125	50 / 60	21 / 22	0.17 / 0.18	2800 / 3300	110 / 131	43 / 47	0.38 / 0.49
OA109AP-22-1*BXC	230	200 ~ 250	50 / 60	21 / 22	0.10 / 0.11	2800 / 3300	110 / 131	43 / 47	0.38 / 0.49

* Insert T for Terminal type power connection, or W for Wire Lead type power connection.