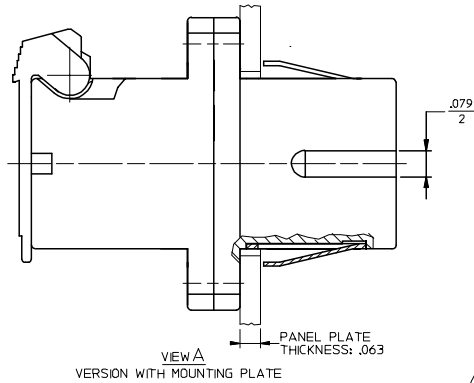
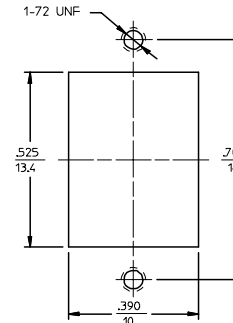
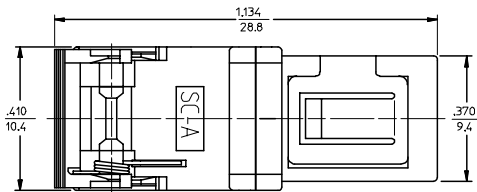


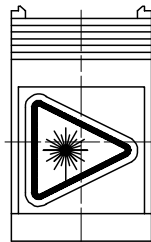
ADAPTER P/N	SPLIT SLEEVE MATERIAL	COLOR OF ADAPTER & SHIELD
106160-0500	PHOSPHOR BRONZE	BLUE
106160-3500		GREEN
106161-0500	ZR	BLUE
106161-3500		GREEN



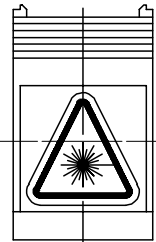
VIEW A  
VERSION WITH MOUNTING PLATE



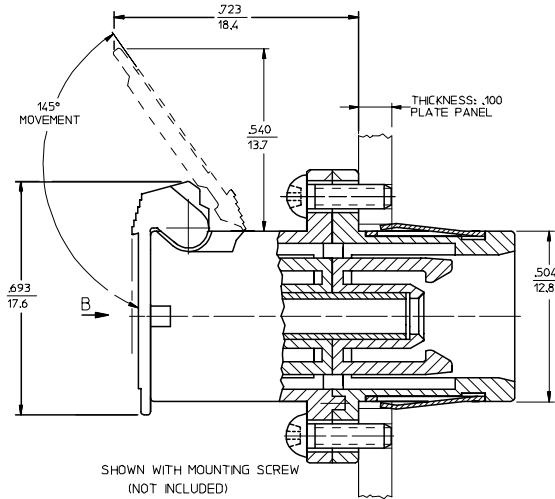
RECOMMENDED MOUNTING HOLE



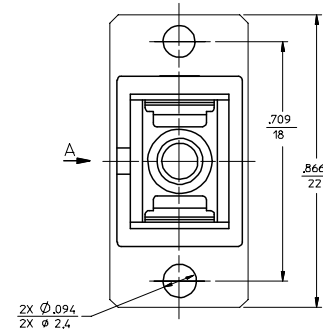
VIEW B  
VERSION 1  
(SEE NOTE 2)



VIEW B  
VERSION 2  
(SEE NOTE 2)



SHOWN WITH MOUNTING SCREW  
(NOT INCLUDED)



NOTES:

1. LABEL MUST BE INSTALLED AND ORIENTED BY CUSTOMER.
2. DUST CAPS ARE NOT SHOWN BUT INCLUDED.

ENTER DESCRIPTION EC NO: MF2006-0237 DRAWN: JGIBLIN 2005/11/29 CHKD: 2005/11/29 APPR: JGIBLIN 2005/11/29 REV: A	QUALITY SYMBOLS 	GENERAL TOLERANCES (UNLESS SPECIFIED)		DIMENSION STYLE IN/MM		SCALE 4:1	DESIGN UNITS INCH	THIRD ANGLE PROJECTION			
			mm	INCH	DRAWN BY RPACIFICI	DATE 2005/10/13	TITLE SC ADAPTER STANDARD FOOTPRINT WITH SHUTTER				
		4 PLACES ± --- ± ---	3 PLACES ± --- ± ---	2 PLACES ± --- ± ---	1 PLACE ± --- ± ---	CHECKED BY	DATE	MATERIAL NO.			
		ANGULAR ±1/2°				APPROVED BY		DATE	DOCUMENT NO. SD-10616X-X500		
DRAFT WHERE APPLICABLE MUST REMAIN WITHIN DIMENSIONS				SIZE C		SEE TABLE				THIS DRAWING CONTAINS INFORMATION THAT IS PROPRIETARY TO MOLEX INCORPORATED AND SHOULD NOT BE USED WITHOUT WRITTEN PERMISSION	