

NOTES:

1. MATERIALS AND FINISHES(MICRO-INCHES):

- BODY = ZINC DIECAST (PER ASTM-B86)
MATTE TIN PL. 100 MIN.
- INSULATOR = PTFE PER D1710, COLOR: NATURAL.
- FERRULE = COPPER, NICKEL PLATING.
- SHRINK TUBING = POLYOLEFIN, ADHESIVE LINED, COLOR: BLACK
- CONTACTS SUPPLIED SEPARATELY AS P/N :
 - 1. FKCP03401A (5000 PCS. REEL),CRIMP AREA: NICKEL PLATED
 - 2. 923-10735 (5000 PCS. REEL),CRIMP AREA: TIN PLATED

2. ELECTRICAL:

- A. IMPEDANCE: 50 OHM, NOMINAL
- B. FREQUENCY RANGE: DC-3.0GHz

3. MECHANICAL:

- A. DURABILITY: 100 CYCLES MIN.
- B. TEMPERATURE RANGE: -40° C TO +105° C
- C. ENVIRONMENTAL SEAL (WHEN MATED): GMW3191

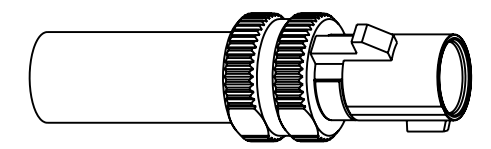
4. ASSEMBLY:

- A. CONNECTOR ASSEMBLY INSTRUCTION: 349-50832
- B. CRIMP CONTACT ONTO CABLE PER 349-50747

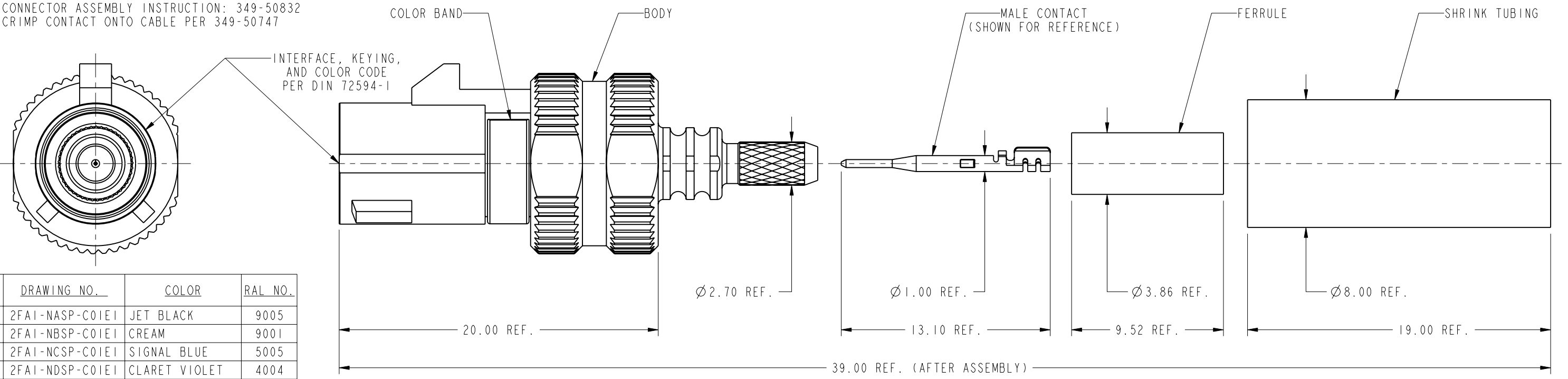
THIRD ANGLE PROJ.

REVISIONS

REV	DESCRIPTION	DATE	ECO	APPR
A	RELEASE TO MFG.	10-04c-11	48805	BCG
B	NOTE 3: GMW 3191 WAS IP67 \RD-DM12061501K\	13-Jun-12	49129	JY/BCG
C	ADDED TIN PLATED CONTACT SELECTION IN NOTE 1	27-Feb-18	06181	HL



SCALE 1.500



CODING	DRAWING NO.	COLOR	RAL NO.
A	2FAI-NASP-C01E1	JET BLACK	9005
B	2FAI-NBSP-C01E1	CREAM	9001
C	2FAI-NCSP-C01E1	SIGNAL BLUE	5005
D	2FAI-NDSP-C01E1	CLARET VIOLET	4004
E	2FAI-NESP-C01E1	LEAF GREEN	6002
F	2FAI-NFSP-C01E1	NUT BROWN	8011
G	2FAI-NGSP-C01E1	BLUE GREY	7031
H	2FAI-NHSP-C01E1	HEATHER VIOLET	4003
I	2FAI-NISP-C01E1	BEIGE	1001
K	2FAI-NKSP-C01E1	CURRY	1027
L	2FAI-NLSP-C01E1	CARMINE RED	3002
M	2FAI-NMSP-C01E1	PASTEL ORANGE	2003
N	2FAI-NNSP-C01E1	PASTEL GREEN	6019
Z	2FAI-NZSP-C01E1	WATER BLUE	5021

CONFIGURATION CONTROL:
NO CHANGES PERMITTED TO DRAWING WITHOUT
PPAP QUALIFIED CUSTOMER APPROVAL

CUSTOMER OUTLINE DRAWING
ALL OTHER SHEETS ARE FOR INTERNAL USE ONLY

UNLESS OTHERWISE SPECIFIED, DIMENSIONS ARE IN METRIC AND TOLERANCES ARE: <0.5mm ±0.05mm 0.5 - 6mm ±0.1mm 6 - 30mm ±0.2mm 30 - 120mm ±0.3mm ANGLES ±1°	MATERIAL	DRAWN	DATE	TITLE	Amphenol RF Danbury CT USA, Tainan, Taiwan, Shenzhen, China www.amphenolrf.com
	SEE NOTES	K.LIAO	13-Jun-12		
	REFERENCE	ENGINEER	DATE	SCALE: 4.0:1.0 SHEET 2 OF 2	
	EAR# 7653 AND CONFIGURATION LEVEL:	B.C. GLEISSNER	10-04c-11	DWG SIZE B REV C	
NOTICE - These drawings, specifications, or other data (1) are, and remain the property of Amphenol corp. (2) must be returned upon request; and (3) are confidential and not to be disclosed to any person other than those to whom they are given by Amphenol Corp. the finishing of these drawings, specifications, or other data by Amphenol Corp., or to any other person for any purpose is not to be regarded by implication or otherwise in any manner licensing, granting rights to permitting such holder or any other person to manufacture, use or sell any product, process or design, patented or otherwise, that may in any way be related to or disclosed by said drawings, specifications, or other data.	APPROVED S.HSIEH DATE 22-Mar-18	PART NO. 2FAI-NXSP-C01E1			