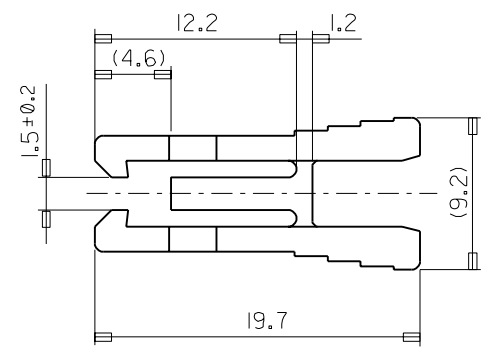
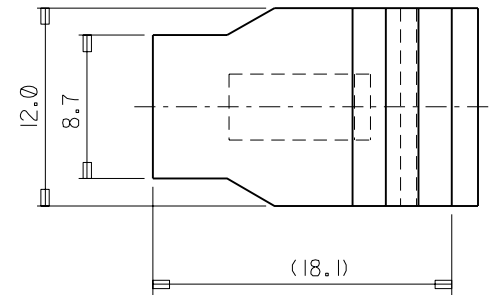
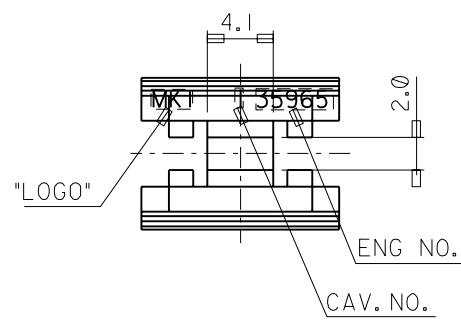


DWG. NO. SD 35965-5003
 PROJECT NO. KOR 98-019
 SIMILAR ITEM
 DO NOT SCALE DRAWING DIMENSION IN METRIC

- NOTE
1. MATERIAL : POLYESTER
 2. COLOR : YELLOW
 3. FRASH & BURR : 0.10 MAX.
 4. LETTER SIZE : W:1.0mm, H:0.1mm



NEW RELEASED EC NO. KOR 1998-0116 DRWN: C.Y. CHO CHK: B.K. CHOI APPR: C.W. LEE	DESCRIPTION MAJOR CRITICAL	GENERAL TOLERANCES: (UNLESS SPECIFIED)		SCALE 3:1	DESIGN UNITS <input checked="" type="checkbox"/> mm <input type="checkbox"/> INCH	THIRD ANGLE PROJECTION	DIMENSIONS:		SHT	REV
		mm	INCH	mm	INCH		<input type="checkbox"/> mm	<input type="checkbox"/> INCH	<input checked="" type="checkbox"/> mm ONLY	REVISE ON CAD ONLY
A	REV	4 PLACES	±0.	±.	DRAWN BY & DATE C.Y. CHO 98/04/01	TITLE: FUSE PULLER FOR M100 F/B	MOLEX INCORPORATED KOREA			
		3 PLACES	±0.	±.	CHECKED BY & DATE B.K. CHOI 98/04/01					
		2 PLACES	±0.	±.	APPROVED BY & DATE C.W. LEE 98/04/01	MATERIAL NO. SD 35965-5003		DRAWING NO. SD 35965-5003		SHEET NO. 1/1
		1 PLACE	±0.20	±.	CAD FILENAME SD35965.DGN	SIZE B		THIS DRAWING CONTAINS INFORMATION THAT IS PROPRIETARY TO MOLEX INCORPORATED AND SHOULD NOT BE USED WITHOUT WRITTEN PERMISSION.		
		ANGULAR: ± 1.0°		DRAFT WHERE APPLICABLE MUST REMAIN WITHIN DIMENSIONS		MX-A3				