

SERIES 22

TRANSISTOR SOCKET FEATURES

- Sockets for JETEC Transistors and Similar Packaged Devices

LAMP SOCKET FEATURES

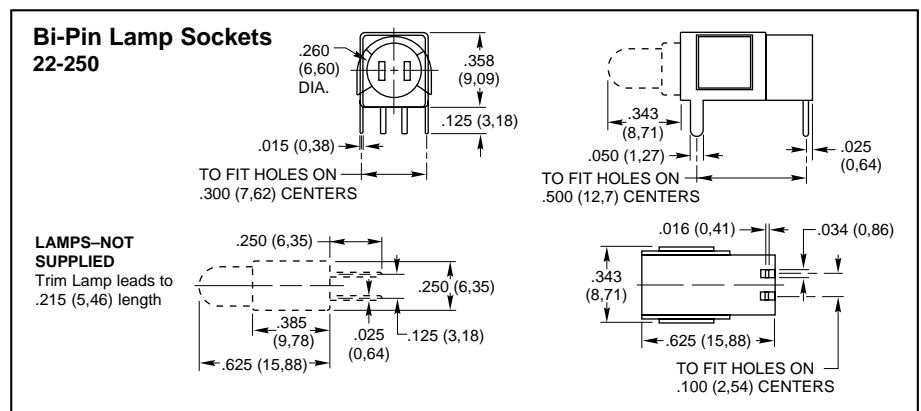
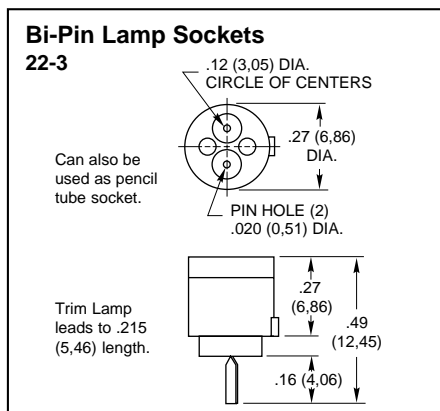
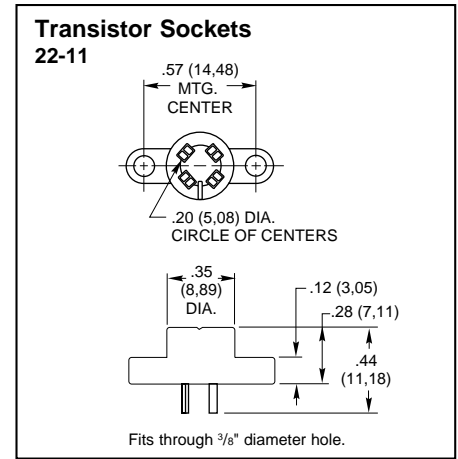
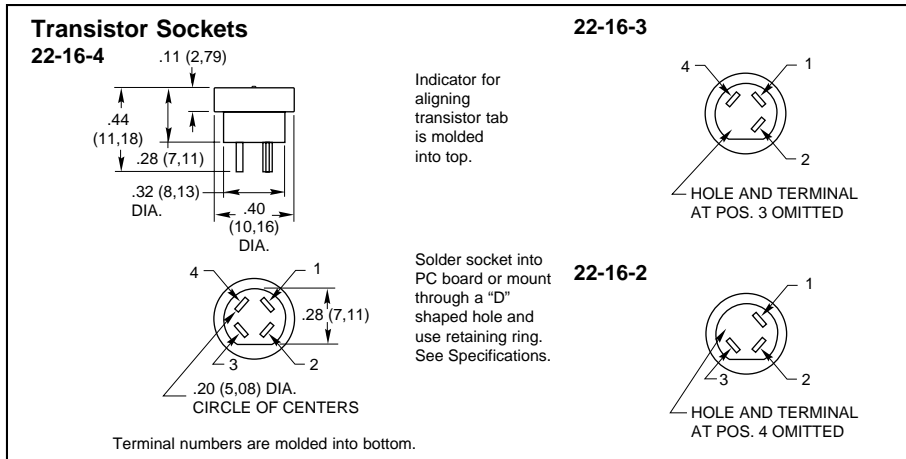
- Sockets for the Popular Sizes of Miniature Lamps
- Secondary Use: Pencil Tube Socket



Transistor Sockets

Bi-Pin Lamp Sockets

DIMENSIONS In Inches (and millimeters)



SPECIFICATIONS

Ratings, Transistor Sockets

Operating Temperature: 265°F maximum

Loss Factor: .06 at 1 meg

Materials/Finishes, Transistor Sockets

Contacts: Wrap-around type, silver-plated beryllium copper with gold plate

Housing: Natural color, mica-filled thermoset plastic per MIL-M-15, type MFE.

Recommended Clip Mounting: Use a Waldes Truarac retaining ring, number #115-31.

Recommended Rivet and Screw Mounting: Rivets or #2 screws.

Materials/Finishes, Lamp Sockets

Insulating Material: Mica-filled thermoset plastic per MIL-M14 type MFE for part 22-3; and thermoset plastic for part 22-250.

Saddle (For 22-250): Lead-tin plated brass.

Contacts (For 22-250): Gold-plated beryllium copper

ORDERING INFORMATION

Socket Description	Transistor or Lamp Type (Not Provided)	Part Number
Transistor Sockets		
3-Pin Clip Mount, Flat between pins	TO-5, 9, 11, 16, 26, 29, 31, & 39	22-16-2
3-Pin Clip Mount, Flat opposite pins	TO-5, 9, 11, 16, 26, 29, 31, & 39	22-16-3
4-Pin Clip Mount Transistor Socket	TO-12 & 33	22-16-4
4-Pin Screw or Rivet Mount	TO-12 & 33	22-11
Bi-Pin Lamp Sockets		
Perpendicular Mount	T-1-3/4 or Chicago Min. T-1-1/4	22-3
Right Angle Mount	T-1-3/4	22-250

OPTION

Part number 22-11 is available with 3 terminals.
Option not available through Distributors

Available from your local Grayhill Distributor.
For prices and discounts, contact a local Sales Office, an authorized local Distributor or Grayhill.