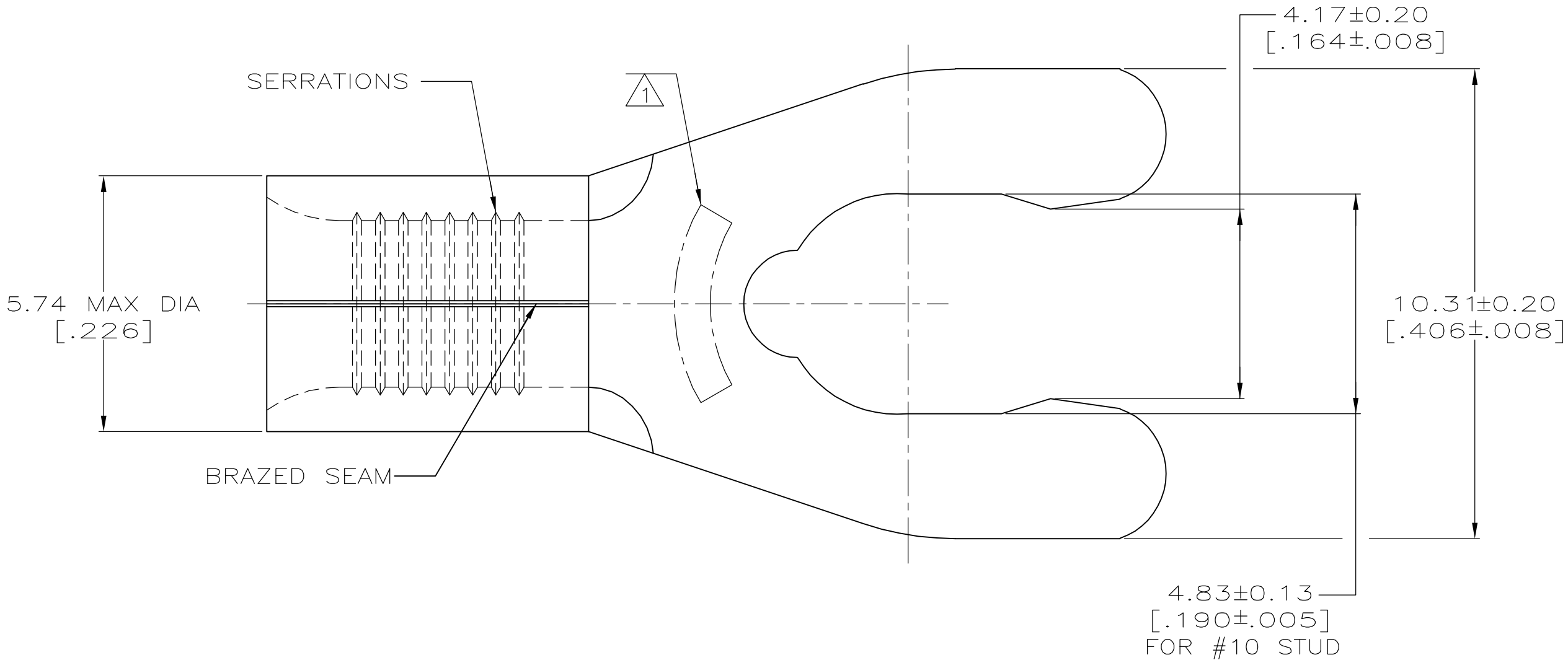


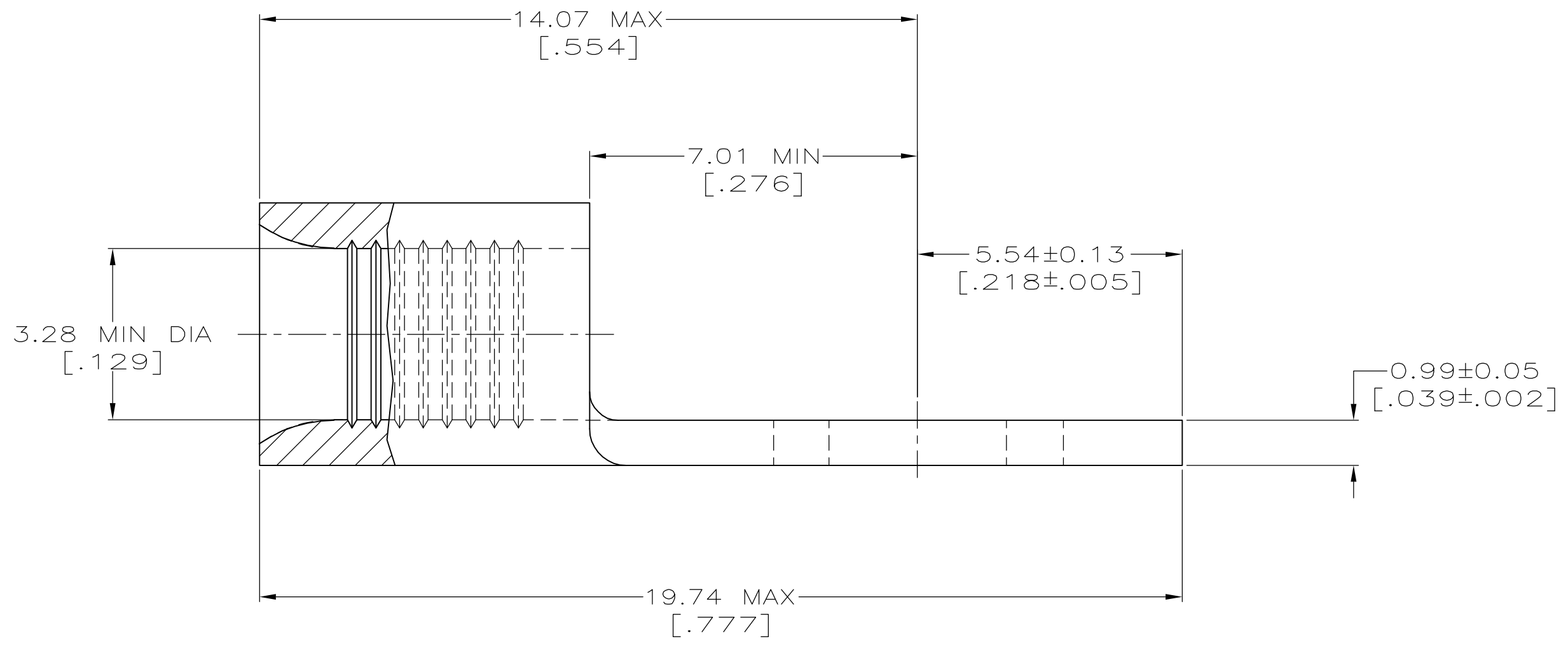
LOC	DIST	P	F	ZONE	LTR	DESCRIPTION	DATE	APPD
G	14					D1 REV PER ECR 07-006018	20MAR07	JR

METRIC
 DIMENSIONS LISTED IN mm [INCHES]



AMP WIRE RANGE	E13288 Listed
12-10 AWG SOLID OR STRANDED	12-10 AWG STRANDED
LR7189 Certified	MILITARY P/N AND CLASS
12-10 AWG SOLID OR STRANDED	NOT APPLICABLE

STAMP 10S AMP 12-10* APPROX AS SHOWN
 10S INDICATES STUD SIZE



50	LOOSE PIECE, BOX SPECIAL (NO WINDOW)	8-53128-5
50	LOOSE PIECE, BOX	8-53128-2
2500	ON TAPE	53128-2
----	LOOSE PIECE	53128-1
QUANTITY	PACKAGING TYPE	PART NO

**AMP INCORPORATED
 CUSTOMER SERVICE SYSTEMS**

MAX RECOMMENDED OPERATING TEMPERATURE:
 170° C MAX

VOLTAGE RATING:
 NOT APPLICABLE

WIRE CROSS SECTIONAL AREA RANGE:
 2.62-6.64mm² [5,180-13,100] CIR MILS
 SOLID OR STRANDED

DO NOT SCALE PRINT. UNLESS SPECIFIED
 DIMENSIONS IN mm [INCHES] -
 TOLERANCES ON :
 2 PLC DEC ± -
 3 PLC DEC ± -
 ANGLES ± -

MATERIAL
 PHOSPHOR BRONZE
 PER ASTM B-103
 ANNEALED

FINISH
 TIN PLATE
 0.00254 [.000100] MIN
 THK PER MIL-T-10727

DR 3-29-93
 TA BRINKMAN

CHK 3-29-93
 DA PATTERSON

APPD 3-29-93
 DE MILLER

APPD 3-29-93
 JL MECKLEY

PRODUCT SPEC
 -

APPLICATION SPEC
 -

WEIGHT
 -

AMP AMP Incorporated
 Harrisburg, PA 17105-3608

NAME
 TERMINAL, SHORT
 SPRING SPADE, SOLISTRAND™

SIZE 00779 DRAWING NO 53128

SCALE 10:1 SHEET 10F 1

FOR ADDITIONAL PRODUCT INFORMATION OR COPIES OF DRAWINGS AND TECHNICAL DOCUMENTS	PRODUCT INFORMATION CENTER 1-800-522-6752
FOR APPLICATION TOOLING INFORMATION	TOOLING ASSISTANCE CENTER 1-800-722-1111
FOR ORDER ENTRY	1-800-526-5142