

THIS DRAWING IS UNPUBLISHED.

RELEASED FOR PUBLICATION

© COPYRIGHT - By -

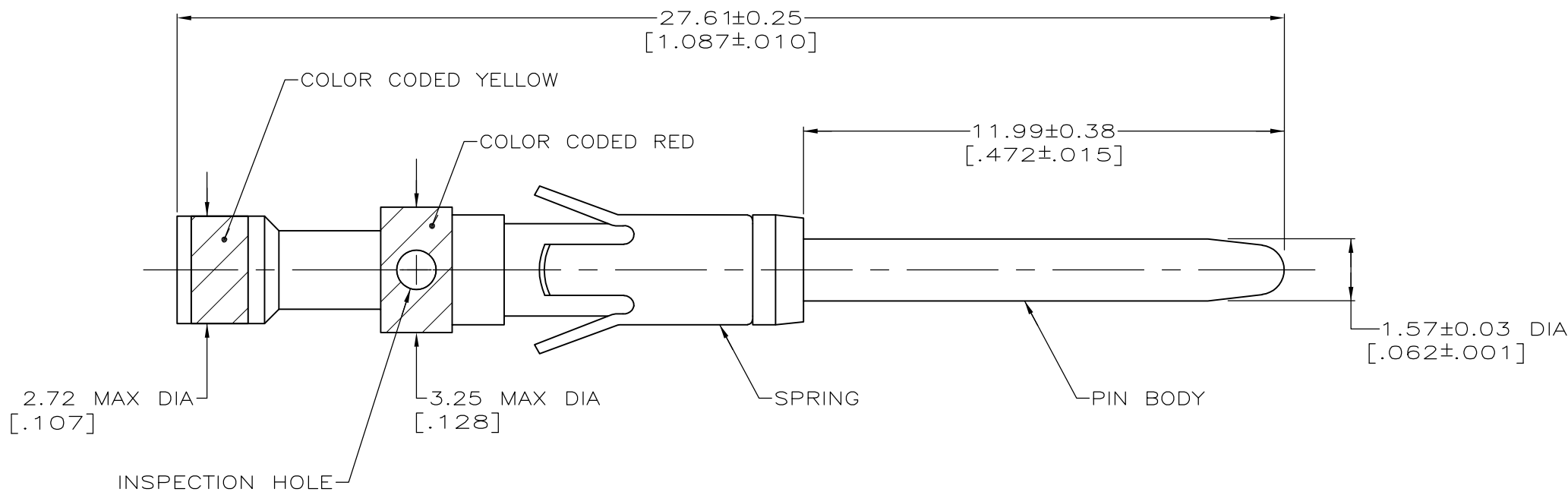
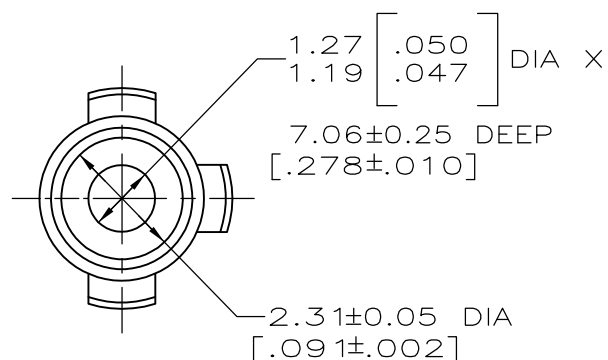
ALL RIGHTS RESERVED.

LOC
BD

DIST
39

REVISIONS

P	LTR	DESCRIPTION	DATE	DWN	APVD
	W2	REVISED PER ECO-13-009250	27JUN13	KH	MZ



2	OBSELETE	SMALL PACK	201330-7
	OBSELETE	TAPE MTG (SEE DETAIL) 2	201330-6
		STANDARD	201330-1
		PACKAGING TYPE	PART NO

1 0.76µm [.000030] MIN GOLD OVER 1.27µm [.000050] MIN NICKEL.

2 OBSELETE PARTS: OBSELETE CIS STREAMLINING PER D.RENAUD/D.SINISI

THIS DRAWING IS A CONTROLLED DOCUMENT.		DWN D.GELTZ 04/06/93	STE TE Connectivity		
DIMENSIONS: mm [INCHES]		CHK R.STONE 4-26-93			
TOLERANCES UNLESS OTHERWISE SPECIFIED:		APVD R.S.KLINE 4-29-93	NAME CONTACT ASSEMBLY, PIN, 16, 20-24 AWG, TYPE II		
0 PLC ± - 1 PLC ± - 2 PLC ± - 3 PLC ± - 4 PLC ± - ANGLES ± -		PRODUCT SPEC -	APPLICATION SPEC -		
MATERIAL PIN BODY: COPPER ALLOY SPRING: STAINLESS STEEL		FINISH PIN BODY: 1	SIZE A3	CAGE CODE 00779	DRAWING NO C-201330
CUSTOMER DRAWING			SCALE 10:1	SHEET 1 OF 1	REV W2