

TPS92691 Boost and Boost-to-Battery LED Driver Evaluation Board

This user's guide describes the characteristics, operation, and use of the TPS92691 boost and boost-to-battery evaluation module (EVM). A complete schematic diagram, printed-circuit board layouts, and bill of materials are included in this document.

Contents

1	Introduction	3
2	Description	3
	2.1 Typical Applications	3
	2.2 Features.....	3
3	Connector Description.....	4
	3.1 Configuring for Boost or Boost-to-Battery (J1, J3)	4
	3.2 J2, POS(+), NEG(–)	4
	3.3 J4, IADJ DRIVE SELECT.....	5
	3.4 TP2, IMON.....	5
	3.5 TP4, IADJ.....	5
	3.6 TP6, SHUTDOWN.....	5
	3.7 TP7, SYNC	5
	3.8 TP8, PWM	5
4	Electrical Performance Specifications.....	6
5	Schematic.....	7
6	Performance Data and Typical Characteristic Curves	8
	6.1 Efficiency.....	8
	6.2 Line Regulation	8
	6.3 Temperature Characteristics	9
	6.4 Analog Adjust Settings	9
	6.5 PWM Dimming.....	10
	6.6 Typical Waveforms (Boost Configuration, VIN = 14 V, 18 LEDs).....	11
	6.7 EMI	13
7	Optimizing EVM Performance Based on LED String Voltage and Current	14
8	TPS92691EVM-752 Assembly Drawing and PCB layout.....	14
9	Bill of Materials	16

List of Figures

1	Connection Diagram.....	4
2	TPS92691EVM-752 Schematic	7
3	Efficiency vs Input Voltage (350-mA LED Current).....	8
4	Output LED Current vs Input Voltage	8
5	LED Current vs Ambient Temperature (VIN = 14 V, Number of LEDs in series = 18)	9
6	Circuit Configurations to Set Analog Adjust Reference Voltage	10
7	LED Current vs. IADJ Voltage, V _{IADJ} (Boost, VIN = 14 V, Number of LEDs in Series = 18, Up to 25 W)	10
8	LED Current vs. PWM Duty Cycle (Boost, VIN = 14 V, Number of LEDs in Series = 18).....	11
9	Nominal Operation	11
10	Overvoltage Protection	11

All trademarks are the property of their respective owners.

11	PWM Dimming (Duty Cycle = 4 %, Frequency = 240 Hz)	11
12	PWM Dimming (Duty cycle = 50 %, Frequency = 240 Hz)	11
13	PWM Dimming (Duty cycle = 96 %, Frequency = 240 Hz)	11
14	Start-Stop (Warm-Crank) Transient Response	11
15	Conducted EMI Based on CISPR 25 Class 3 Limits Boost, 32 V Output, R6 = 47 Ω	13
16	Assembly Drawing	14
17	Top Layer and Top Overlay (Top View)	15
18	Bottom Layer and Bottom Overlay (Bottom View)	15

List of Tables

1	TPS92691EVM-752 Electrical Performance Specifications	6
2	Bill of Materials	16

1 Introduction

The TPS92691EVM-752 evaluation module (EVM) helps designers evaluate the operation and performance of the TPS92691-Q1 and TPS92691, a multi-topology controller designed for automotive lighting and general illumination applications. The TPS92691EVM-752 uses the TPS92691-Q1 (AEC Q100) IC; however, for general illumination and other non-automotive applications, the TPS92691 is available in the same package and pin configuration and with identical performance characteristics. The TPS92691-Q1 device implements fixed-frequency peak current mode control technique with programmable switching frequency, slope compensation, and startup timing. It incorporates a low offset rail-to-rail current sense amplifier that can directly measure LED current over an output voltage range of 0 V to 65 V. Additional features include wide input voltage range (0 V to 65 V), PWM dimming capability, analog dimming capability, adjustable and syncable switching frequency, input undervoltage protection, output overvoltage protection, and switch cycle-by-cycle current limit. The controller can be used to implement a range of LED driver topologies including Boost, Buck-Boost (Boost-to-Battery), SEPIC, Cuk, and Flyback, based on the output LED stack voltage.

2 Description

The TPS92691EVM-752 is a fully assembled and tested boost and boost-to-battery LED driver designed to power a single string of series-connected LEDs. Accurate closed-loop LED current regulation is achieved using a low-offset current sense amplifier that is compatible with either high- or low-side current-sensing implementations. The DC current set point can be varied over a 15:1 ratio using the high-impedance analog adjust (IADJ) input. An integrated gate-driver circuit and proprietary PWM dimming logic is incorporated to enable external series FET PWM dimming with greater than 100:1 dimming ratio.

LED short-circuit failure and other cable harness fault detection is facilitated by current monitor output (IMON), which reports the instantaneous status of LED current measured by the rail-to-rail current sense amplifier. The current monitor output is used in conjunction with microcontroller or discrete circuitry to implement customized fault protection schemes.

2.1 Typical Applications

This converter design describes an application of the TPS92691-Q1 device as a boost and boost-to-battery LED driver with the specifications described in [Table 1](#). For applications with a different input voltage range or different output voltage range, refer to the TPS92691-Q1 datasheet.

2.2 Features

- Versatile LED driver capable of either a Boost or Boost-to-Battery topology by simply changing the LED string connections
- Wide input voltage range (4.5 V to 20 V)
- Wide output voltage range (21 V to 60 V for the Boost, 3 V to 36 V for the Boost-to-Battery)
- Capable of series FET PWM dimming
- Capable of analog dimming
- Instantaneous current monitor output to facilitate LED fault detection and mitigation
- Output overvoltage protection and input undervoltage lockout

3 Connector Description

This section describes the connectors and test points on the EVM and how to properly connect, setup, and use the TPS92691EVM-752.

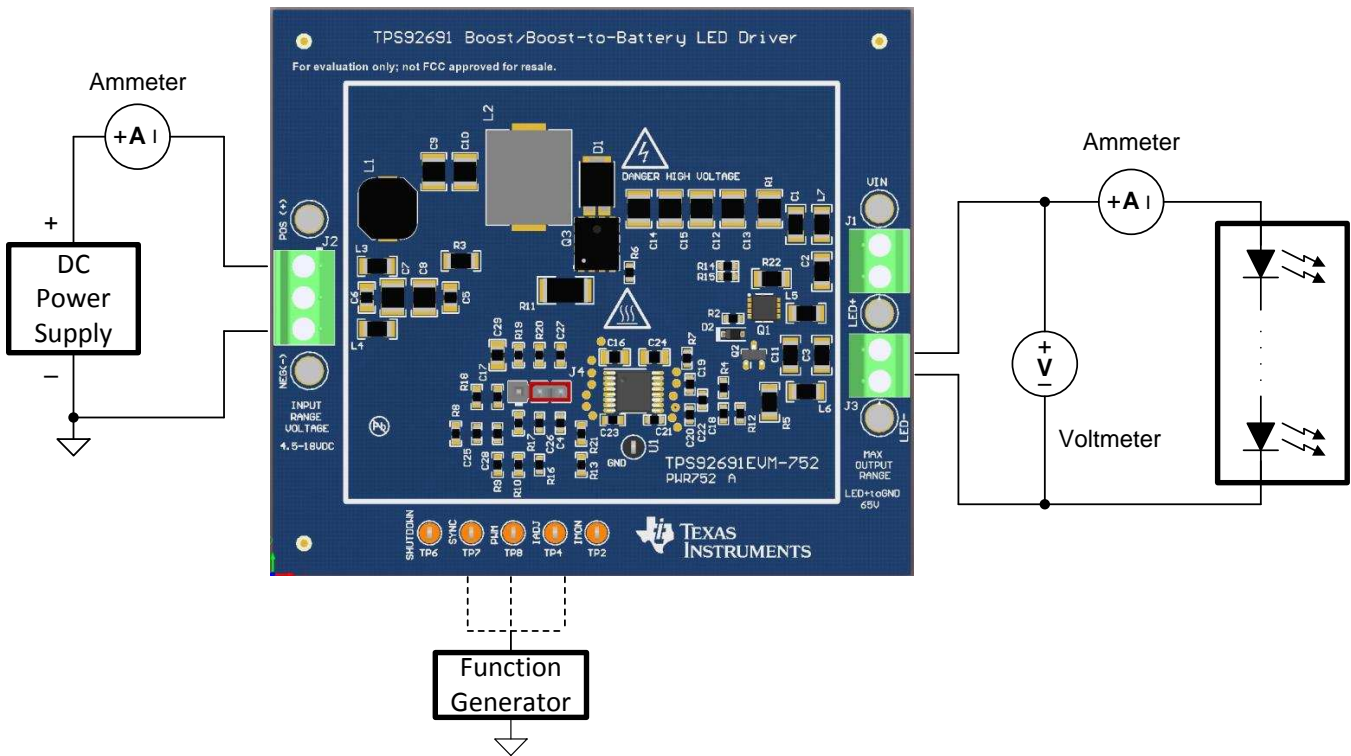


Figure 1. Connection Diagram

3.1 Configuring for Boost or Boost-to-Battery (J1, J3)

The TPS92691EVM-752 can be configured as a boost regulator or a boost-to-battery regulator simply by connecting the LED load to either connector J1 or to connector J3 as described in this section. Do not attempt to use J1 and J3 simultaneously.

3.1.1 J1, VIN, LED+ (Boost-to-Battery)

The screw-down connector, J1, marked LED+ and VIN is for connecting the LED load to the board in the Boost-to-Battery (Buck-Boost) configuration. The positive terminal of the LED load connects to LED+ while the negative terminal connects to VIN. The leads to the LED load should be twisted and kept as short as possible to minimize voltage drop, inductance, and EMI transmission. The Boost-to-Battery design is for approximately 1 to 12 white LEDs.

3.1.2 J3, LED+, LED- (Boost)

The screw-down connector, J3, marked LED+ and LED- is for connecting the LED load to the board in the Boost configuration. The leads to the LED load should be twisted and kept as short as possible to minimize voltage drop, inductance, and EMI transmission. The Boost design is for approximately 6 to 20 white LEDs.

3.2 J2, POS(+), NEG(-)

The screw-down connector, J1, marked POS(+) and NEG(-) is for connecting the EVM to the DC input voltage supply. One other POS(+) and NEG(-) test turret is provided on the board that can also be used.

3.3 J4, IADJ DRIVE SELECT

The three-pin header marked J4 is used to select the method of setting the LED current using the IADJ pin of the device. The default setting is a shunt placed between pins 2 and 3 of J4. This sets the IADJ voltage using a resistor divider from VCC for a constant LED current. PWM to analog dimming can be achieved by placing the shunt between pins 1 and 2 of J4 and applying a PWM signal to the IADJ test point, TP4. Direct analog dimming can be achieved by connecting an analog voltage to TP4 in this configuration or by removing the shunt and applying an analog voltage directly to pin 2 of J4.

3.4 TP2, IMON

The IMON test point connects directly to the IMON pin of the TPS92691-Q1 device. The IMON voltage, corresponding to measured LED current by integrated rail-to-rail current sense amplifier, can be monitored with this test point. The pin can be connected to an external comparator or microcontroller to detect LED short-circuit, LED+ to VIN, and LED+ to GND fault conditions.

3.5 TP4, IADJ

The IADJ test point connects through a two-pole, low-pass filter to the IADJ pin of the TPS92691-Q1 device. The default reference is set to 777 mV through a resistor divider network connected to VCC (shunt connecting pins 2 and 3 of J4) resulting in output current of 350 mA. The voltage on IADJ can be externally set (shunt connecting pins 1 and 2 of J4) using either a pulse width modulated signal from function generator or a DC power supply between 140 mV to over 2.4 V. For more details on setting analog adjust voltage, refer to [Section 6.4](#).

3.6 TP6, SHUTDOWN

The test point SHUTDOWN connects through a 1-k Ω resistor to the SS pin of the TPS92691-Q1 device. The voltage range is from 0 V to 5 V, if driven externally. The SS voltage can be monitored with this test point. Pulling SHUTDOWN to GND will also serve to disable the part and put it into STANDBY mode.

3.7 TP7, SYNC

The SYNC test point is AC-coupled to the RT/SYNC pin of the TPS92691-Q1 device through a 100-pF capacitor. Apply a square wave with pulse width greater than 200 ns and logic-low level of GND and a high level between 3 V and 5 V to synchronize the switching frequency to the applied frequency. The frequency range of SYNC is from 332 kHz to 449 kHz ($\pm 15\%$) for the nominal set point of 390-kHz switching frequency.

3.8 TP8, PWM

The PWM test point connects through a 1-k Ω resistor to the PWM pin of the TPS92691-Q1 device. Leave open for normal operation. If PWM dimming is used, apply a square wave with a low level of GND and a high level of between 3 V and 5 V. The dimming frequency range is 100 Hz to 1 kHz.

4 Electrical Performance Specifications

Table 1. TPS92691EVM-752 Electrical Performance Specifications

Parameter	Test Conditions	MIN	TYP	MAX	Unit
Input Characteristics					
Input voltage range		7	14	20	V
Input UVLO setting			4.5		V
Maximum switch node voltage				100	V
Output Characteristics					
Output voltage, VOUT	LED+ to LED- (Boost)	21		60	V
	LED+ to VIN (Boost-to-Battery)	3		36	
Output current		62.5	350	1070	mA
Maximum output power				25	W
Analog dimming range	$V_{IADJ} = 140 \text{ mV to } 2.4 \text{ V}$	17:1			
PWM dimming range	240-Hz PWM frequency	100:1			
Systems Characteristics					
Efficiency	Boost. Input voltage = 14 V, 13 LEDs, $I_{LED} = 350 \text{ mA}$		92		%
Switching frequency			390		kHz

5 Schematic

Figure 2 illustrates the EVM schematic.

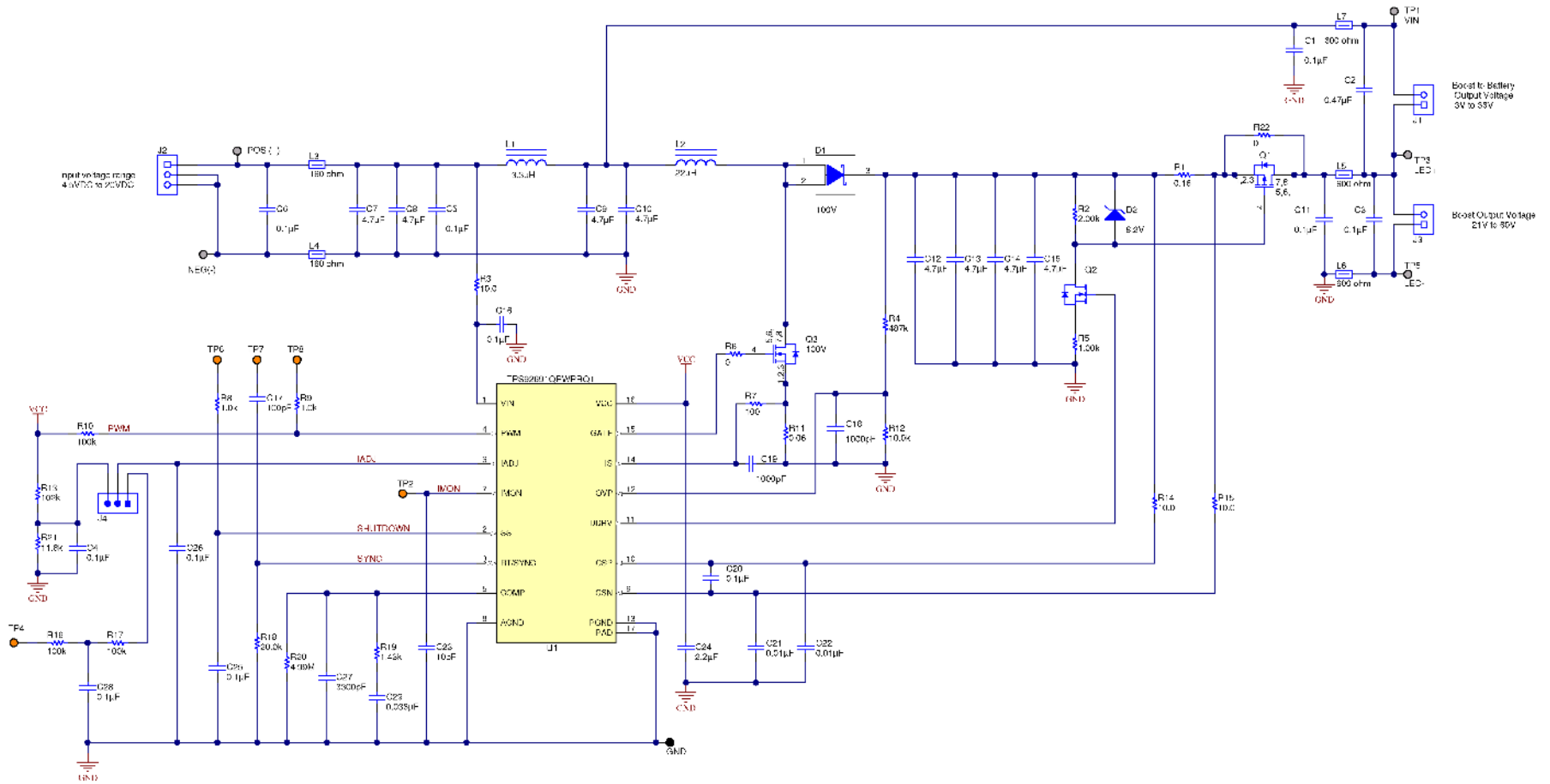


Figure 2. TPS92691EVM-752 Schematic

6 Performance Data and Typical Characteristic Curves

The following performance curves are presented for the EVM configured in boost configuration (LED load connected to J3).

6.1 Efficiency

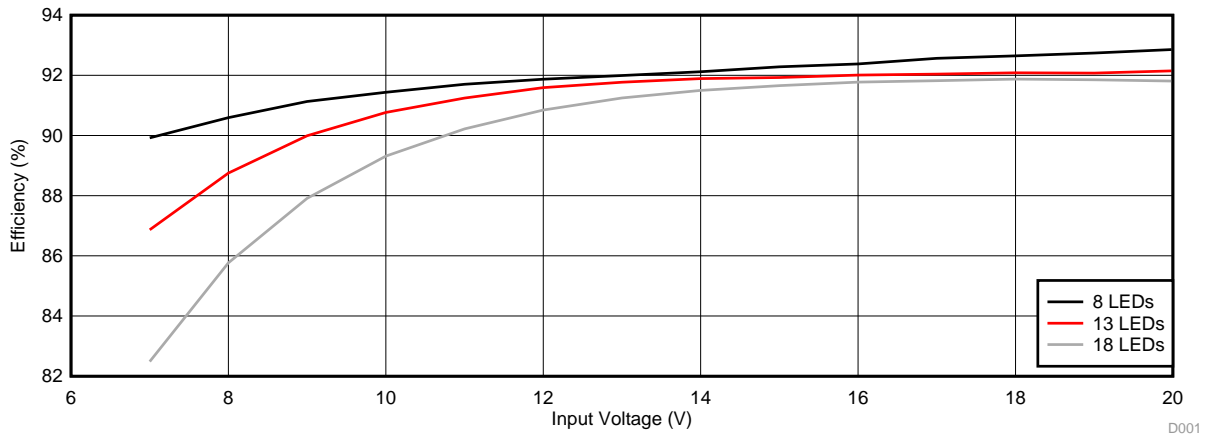


Figure 3. Efficiency vs Input Voltage (350-mA LED Current)

6.2 Line Regulation

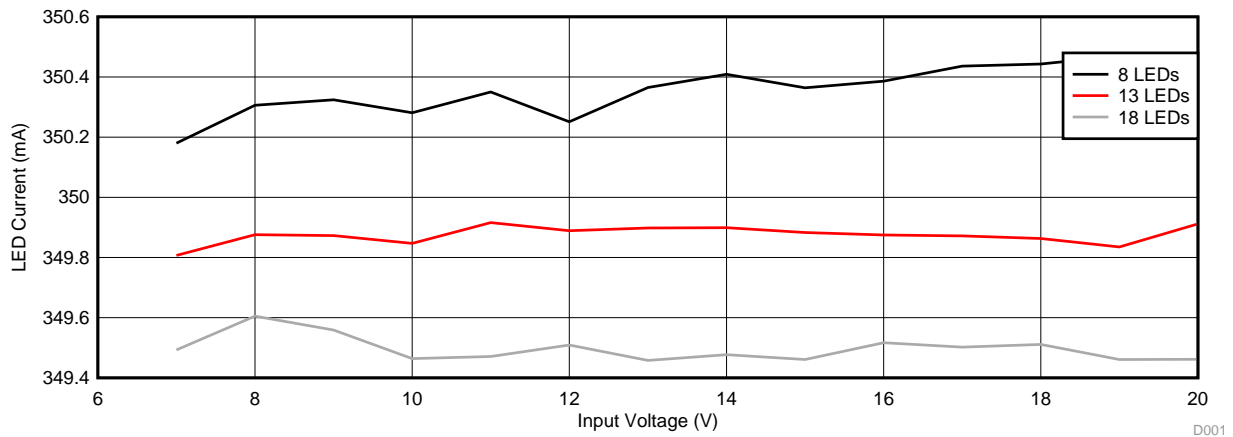


Figure 4. Output LED Current vs Input Voltage

6.3 Temperature Characteristics

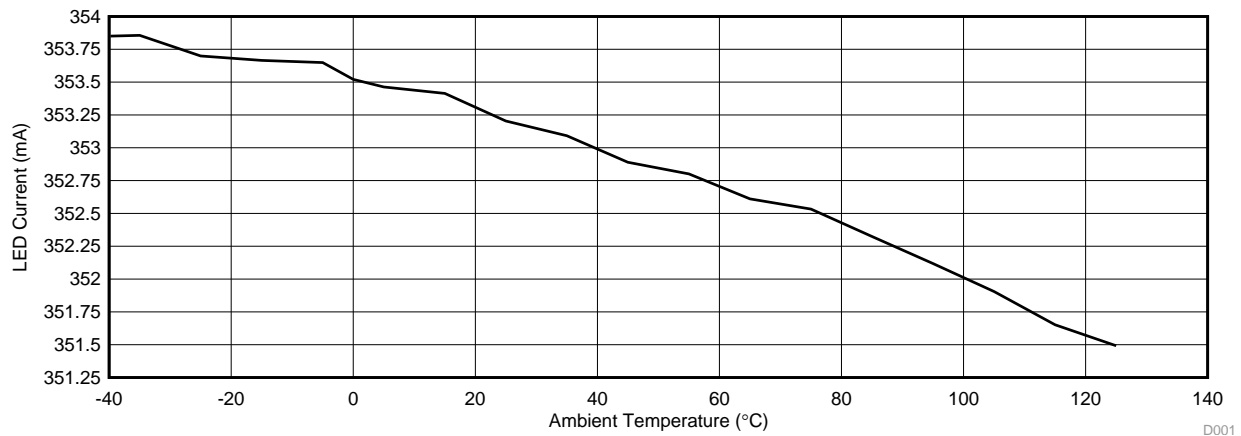


Figure 5. LED Current vs Ambient Temperature (VIN = 14 V, Number of LEDs in series = 18)

6.4 Analog Adjust Settings

LED current can be varied from 62.5 mA to 1.07 A by varying the voltage at the analog adjust, IADJ pin from 140 mV to 2.4 V, respectively. The EVM is configured with the IADJ voltage, V_{IADJ} , set to 777 mV using resistor divider network, R13 and R21 between VCC and GND with a shunt placed between pins 2 and 3 on the header J4. The resulting LED current is 350 mA for a current sense resistor, $R_{CS} = R1$, of 160 mΩ. Calculation is based on:

$$I_{LED} = \frac{V_{IADJ}}{14} \frac{1}{R_{CS}}$$

The desired LED current can be achieved by setting the corresponding voltage, V_{IADJ} and reconfiguring the resistor divider network, R13 and R21. The internal reference clamp of 2.4 V can be activated by depopulating resistor R21 and connecting IADJ to VCC through pull-up resistor R13.

External control via IADJ test point, TP4 can be enabled by changing the shunt position to connect pins 1 and 2 of J4 together. The IADJ voltage, and hence the LED current, can be modulated over the entire operating range by connecting a DC power supply or a function generator across TP4 to GND. Analog dimming can also be achieved by removing the shunt and connecting an analog voltage directly to pin 2 of J4. To ensure proper operation and limit temperature rise, the maximum output power should be limited to 25 W for any given LED stack voltage and LED current combination.

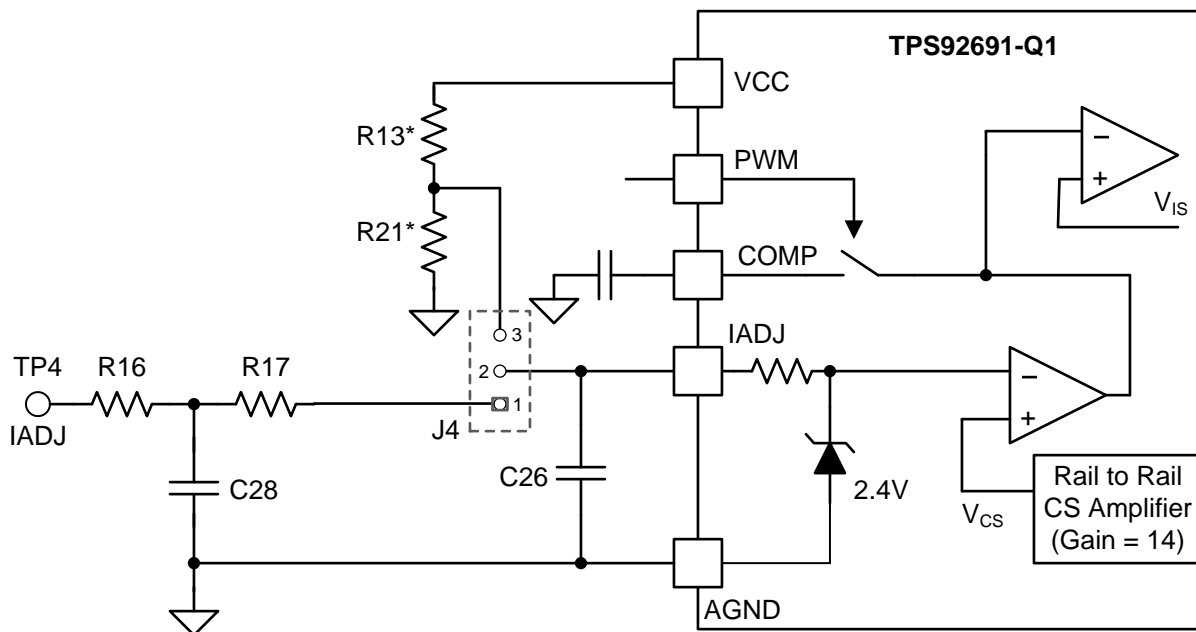


Figure 6. Circuit Configurations to Set Analog Adjust Reference Voltage

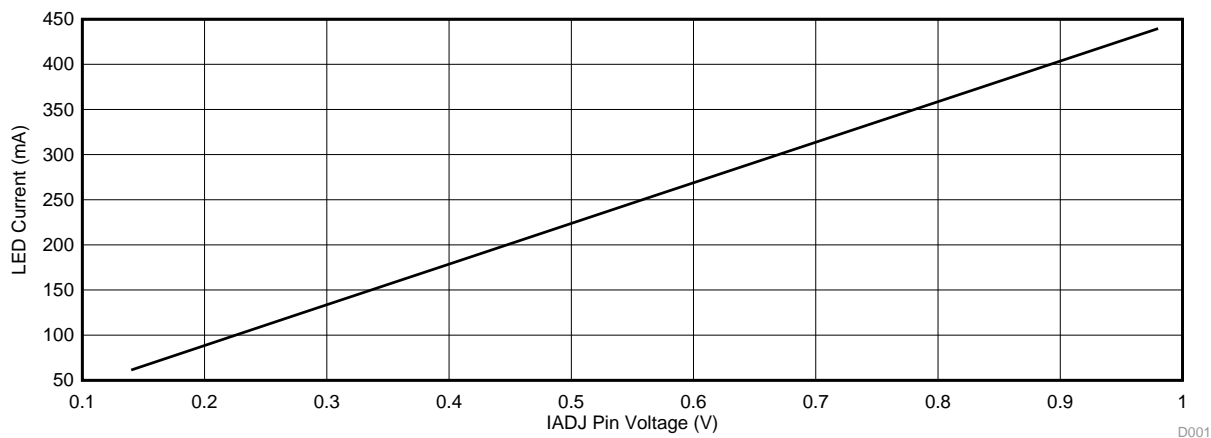


Figure 7. LED Current vs. IADJ Voltage, V_{IADJ} (Boost, $V_{IN} = 14$ V, Number of LEDs in Series = 18, Up to 25 W)

6.5 PWM Dimming

To enable EVM at power-up, the PWM pin of the TPS92691-Q1 is tied to VCC through a 100-kΩ pullup resistor, R10. The PWM pin can be over-driven by connecting an external digital signal, generated through a microcontroller or function generator, to PWM test point, TP8. The PWM pin can be pulled to ground to disable switching under fault conditions.

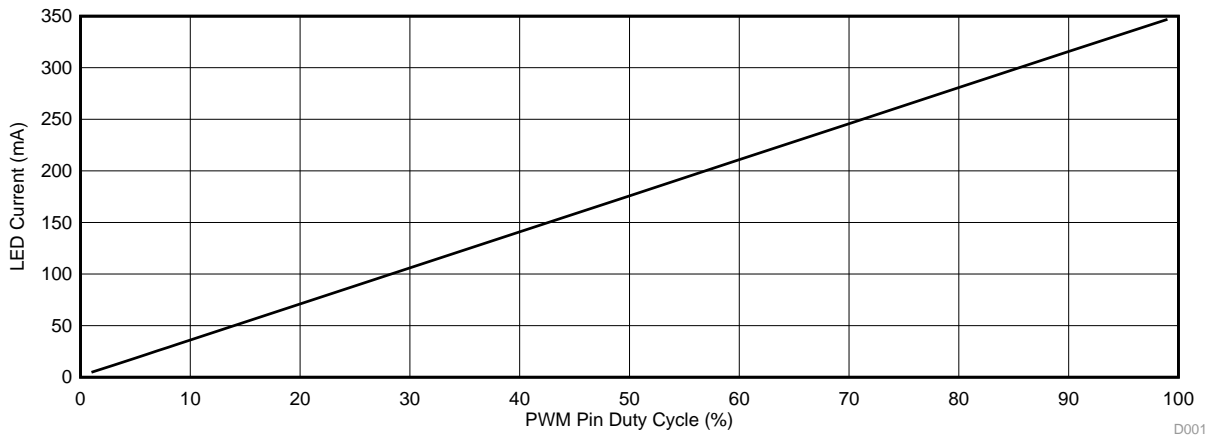
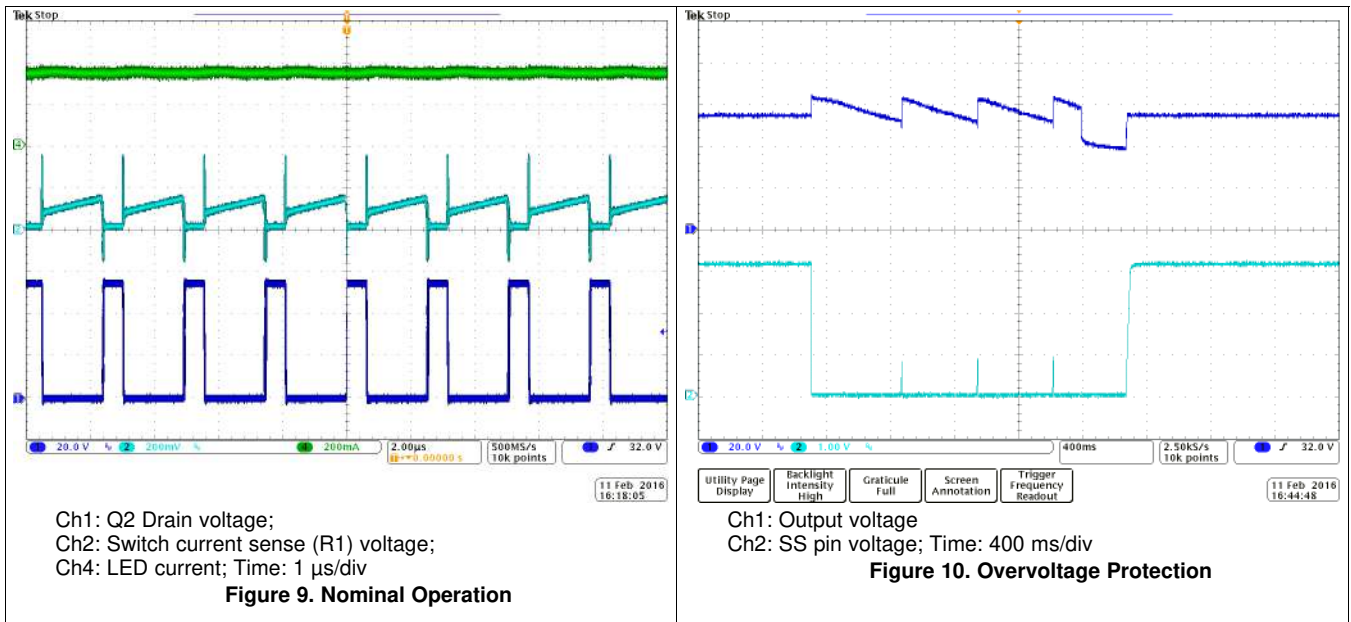
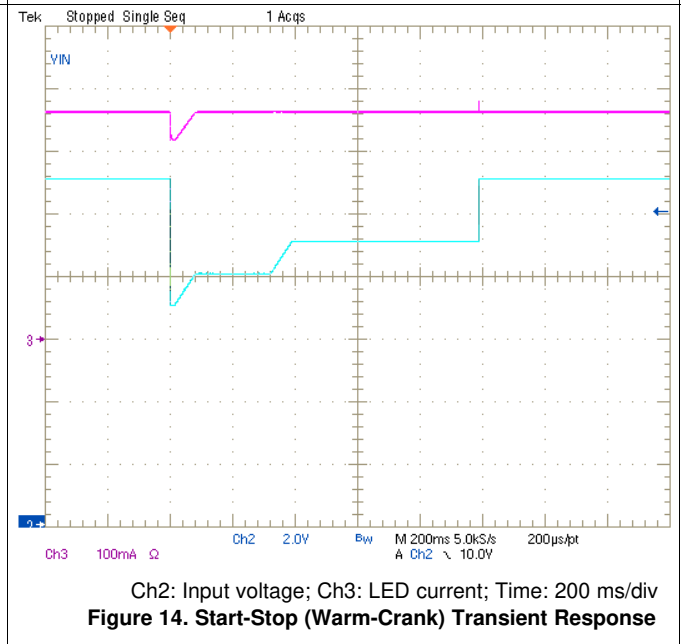
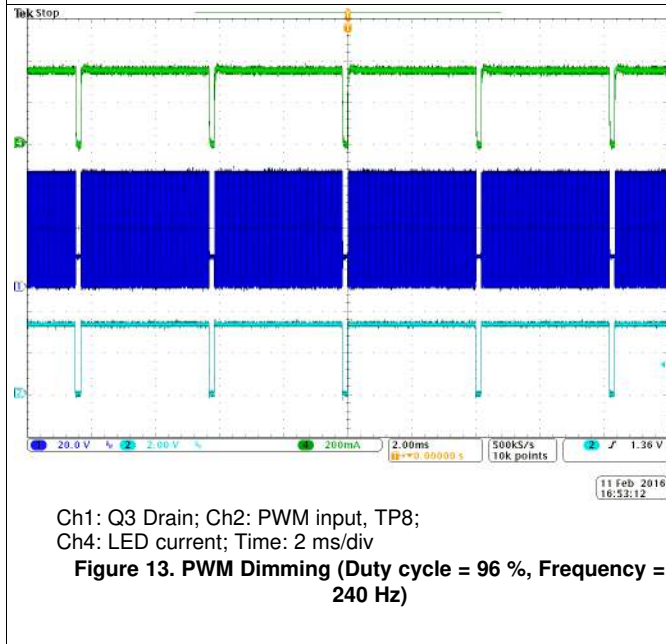
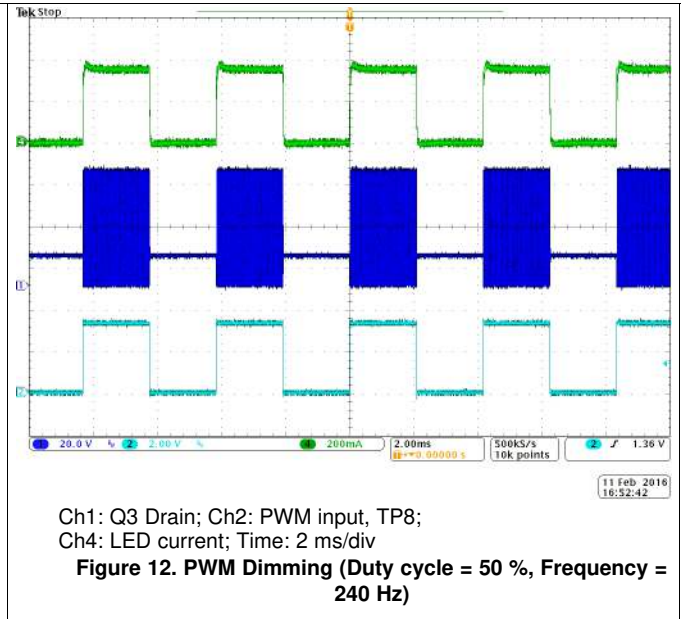
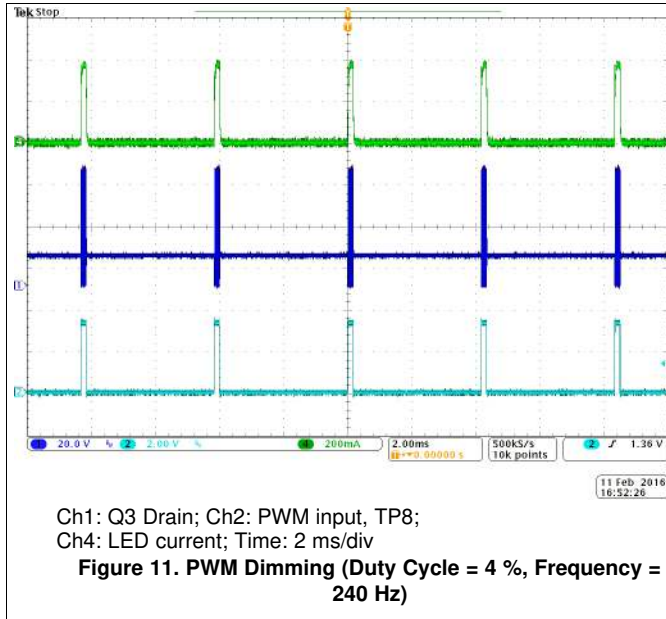


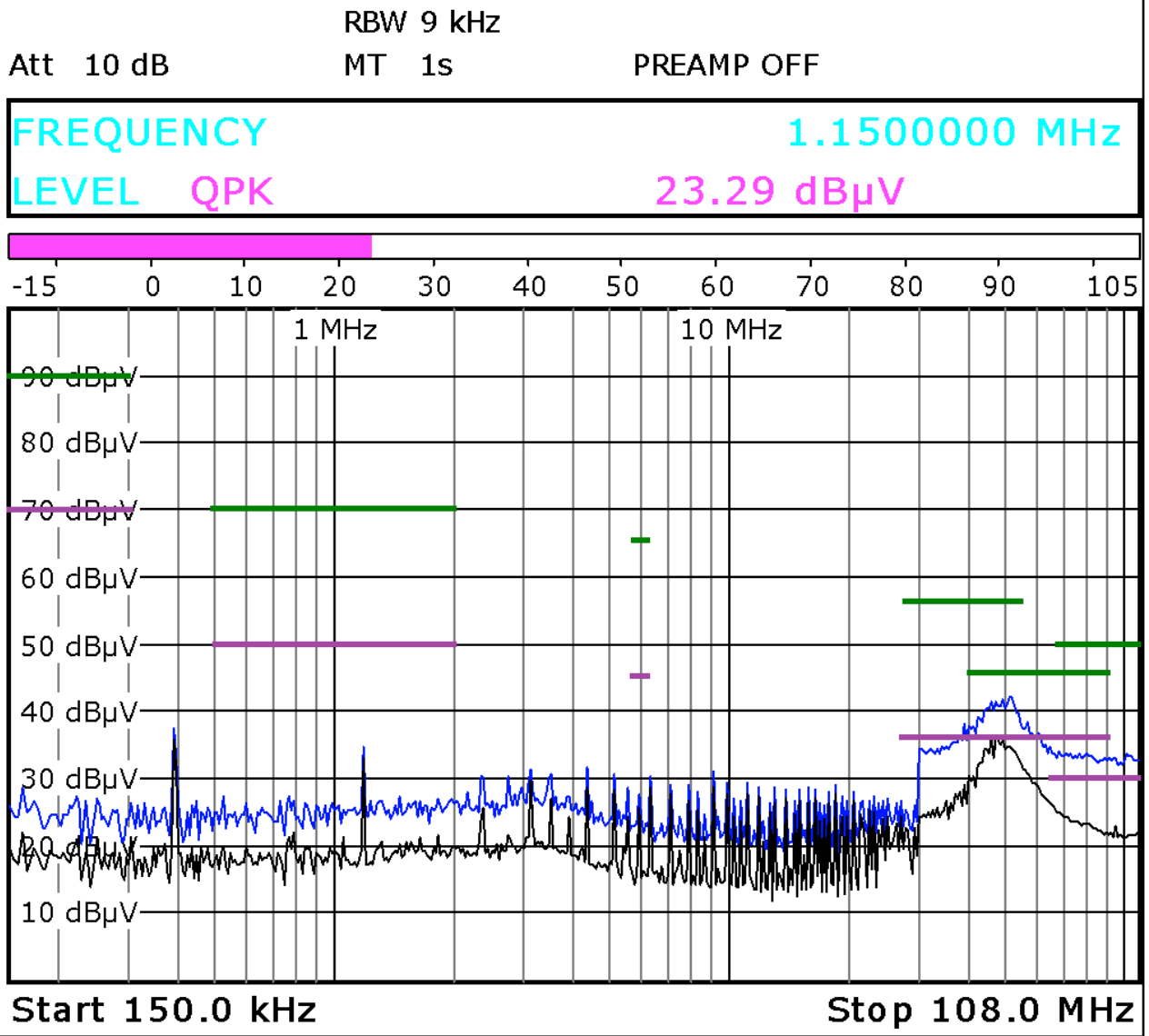
Figure 8. LED Current vs. PWM Duty Cycle (Boost, VIN = 14 V, Number of LEDs in Series = 18)

6.6 Typical Waveforms (Boost Configuration, VIN = 14 V, 18 LEDs)





6.7 EMI



Date: 8.FEB.2016 23:59:58

Figure 15. Conducted EMI Based on CISPR 25 Class 3 Limits
Boost, 32 V Output, R6 = 47 Ω

7 Optimizing EVM Performance Based on LED String Voltage and Current

The default EVM schematic is configured to operate over a wide range of LED currents (62.5 mA to 1.07 A) and string configurations (1 to 20 LEDs). The driver operation, efficiency and transient response can be improved by reconfiguring the schematic for a given LED current and LED string forward voltage drop. The LED current sense resistor, ($R_{CS} = R1$) value can be calculated based on the maximum allowable differential voltage of 172 mV which is achieved by pulling the IADJ pin to VCC through an external resistor. The slope compensation voltage can be adjusted by changing the switch current sense resistor, $R_{IS} = R11$, based on the maximum expected LED stack voltage. The proportional integral compensation network can be tuned to achieve high bandwidth and desired phase margin for a specified range of input and output voltages. For more details and design procedure refer to the TPS92691-Q1 datasheet ([SLVSD68](#)).

8 TPS92691EVM-752 Assembly Drawing and PCB layout

Figure 16, Figure 17, and Figure 18 show the design and assembly of the TPS92691EVM-752 printed circuit board. The EVM dimensions are $x = 3.05$ in and $y = 2.7$ in.

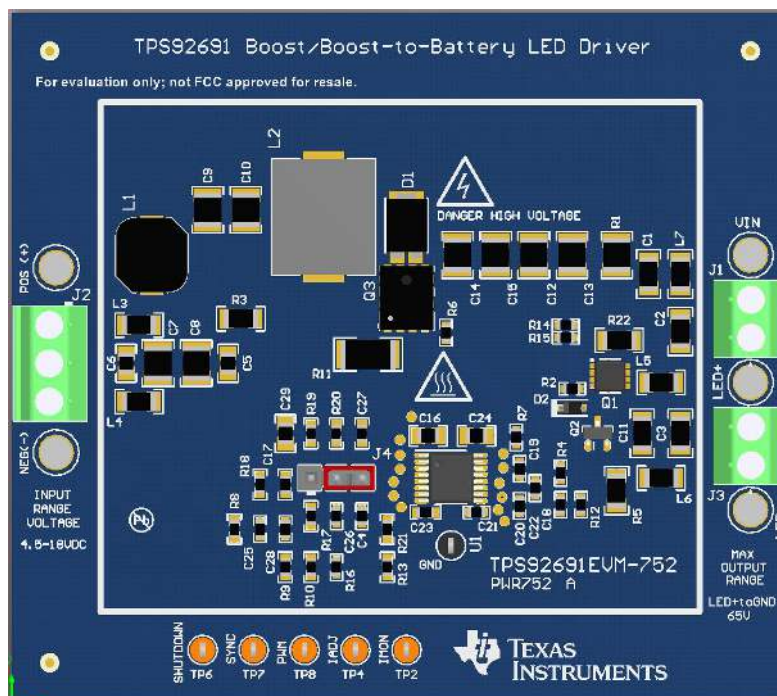


Figure 16. Assembly Drawing

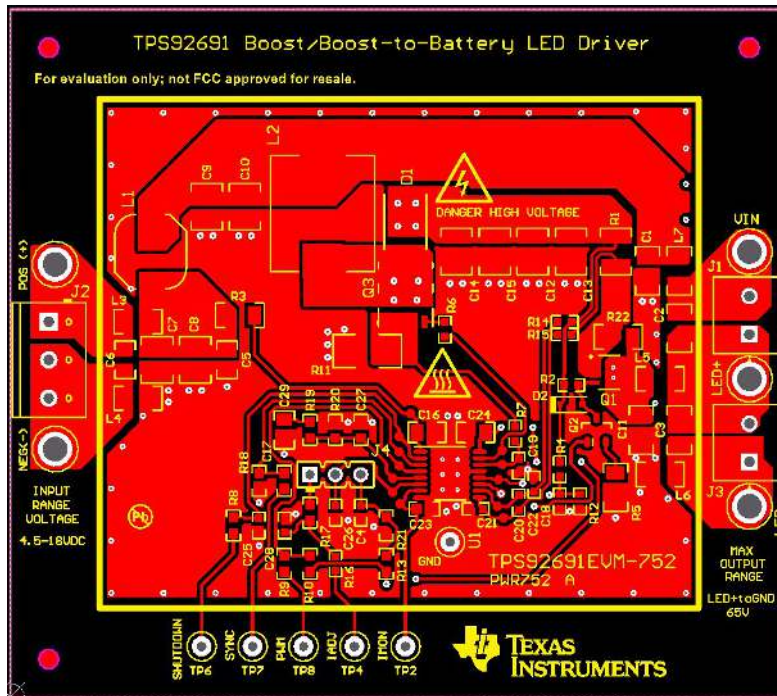


Figure 17. Top Layer and Top Overlay (Top View)

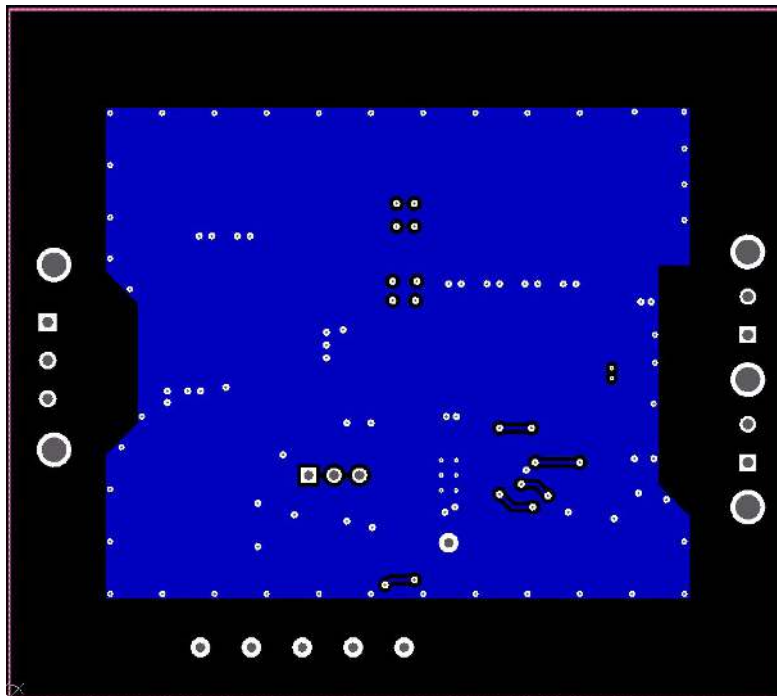


Figure 18. Bottom Layer and Bottom Overlay (Bottom View)

9 Bill of Materials

Table 2 lists the TPS92691EVM-752 components list according to the schematic shown in Figure 2.

Table 2. Bill of Materials

Designator	Qty	Value	Description	Package	PartNumber	Manufacturer
U1	1		Multi-Topology LED Driver with Rail-to-Rail Current Sense Amplifier	PWP0016J	TPS92691QPWPRQ1	Texas Instruments
C1, C3, C11	3	0.1uF	CAP, CERM, 0.1 μ F, 100 V, +/- 10%, X7R	1206	C3216X7R2A104K	TDK
C2	1	0.47uF	CAP, CERM, 0.47 μ F, 100 V, +/- 10%, X7R	1206	C3216X7R2A474K	TDK
C4, C25, C26, C28	4	0.1uF	CAP, CERM, 0.1 μ F, 25 V, +/- 10%, X7R	0603	C1608X7R1E104K	TDK
C5, C6	2	0.1uF	CAP, CERM, 0.1 μ F, 100 V, +/- 10%, X7R	0805	C2012X7R2A104K	TDK
C7, C8, C9, C10, C12, C13, C14, C15	8	4.7uF	CAP, CERM, 4.7 μ F, 100 V, +/- 10%, X7S	1210	C3225X7S2A475K200AE	TDK
C16	1	0.1uF	CAP, CERM, 0.1 μ F, 100 V, +/- 10%, X7R	0805	C2012X7R2A104K125AA	TDK
C17	1	100pF	CAP, CERM, 100 pF, 50 V, +/- 5%, C0G/NP0	0603	C1608C0G1H101J	TDK
C18, C19	2	1000pF	CAP, CERM, 1000 pF, 100 V, +/- 5%, C0G/NP0	0603	C1608C0G2A102J	TDK
C20	1	0.1uF	CAP, CERM, 0.1 μ F, 50 V, +/- 10%, X7R	0603	C1608X7R1H104K	TDK
C23	1	10pF	CAP, CERM, 10 pF, 50 V, +/- 5%, C0G/NP0	0603	C1608C0G1H100D	TDK
C24	1	2.2uF	CAP, CERM, 2.2 μ F, 16 V, +/- 10%, X7R	0805	C2012X7R1C225K	TDK
C27	1	3300pF	CAP, CERM, 3300 pF, 25 V, +/- 10%, X7R	0603	GRM188R71E332KA01D	MuRata
C29	1	0.033uF	CAP, CERM, 0.033 μ F, 25 V, +/- 10%, X7R	0805	GRM216R71E333KA01D	MuRata
D1	1	100V	Diode, Schottky, 100 V, 3 A, AEC-Q101	PowerDI5	PDS3100Q-13	Diodes Inc.
D2	1	8.2V	Diode, Zener, 8.2 V, 200 mW	SOD-323	MMSZ5237BS-7-F	Diodes Inc.
L1	1	3.3uH	Inductor, Shielded, Ferrite, 3.3 μ H, 5 A	6.2x4.5	CLF7045T-3R3N	TDK
L2	1	22uH	Inductor, Shielded Drum Core, Powdered Iron, 22 μ H, 4.1 A, 0.0705 ohm, AEC-Q200 Grade 0	IHLP-4040DZ	IHLP4040DZER220M8A	Vishay-Dale
L3, L4	2	160 ohm	Ferrite Bead, 160 ohm @ 100 MHz, 6 A	1206	HI1206T161R-10	Laird-Signal Integrity Products
L5, L6, L7	3	600 ohm	Ferrite Bead, 600 ohm @ 100 MHz, 1.5 A	1206	MI1206K601R-10	Laird-Signal Integrity Products
Q1	1	-60V	MOSFET, P-CH, -60 V, -3.6 A	1212	SI7415DN-T1-GE3	Vishay-Siliconix
Q2	1	100V	MOSFET, N-CH, 100 V, 1.4 A	SOT-23	DMN10H220L-7	Diodes Inc.
Q3	1	100V	MOSFET, N-CH, 100 V, 20 A, AEC-Q101	8-PowerVDFN	STL8N10LF3	STMicroelectronics
R1	1	0.16	RES, 0.16, 1%, 0.5 W	1210	MCR25JZHFLR160	Rohm
R2	1	2.00k	RES, 2.00 k, 1%, 0.1 W	0603	CRCW06032K00FKEA	Vishay-Dale
R3	1	10.0	RES, 10.0, 1%, 0.25 W	1206	CRCW120610R0FKEA	Vishay-Dale
R4	1	487k	RES, 487 k, 1%, 0.1 W	0603	CRCW0603487KFKEA	Vishay-Dale

Table 2. Bill of Materials (continued)

Designator	Qty	Value	Description	Package	PartNumber	Manufacturer
R5	1	1.00k	RES, 1.00 k, 1%, 0.25 W	1206	CRCW12061K00FKEA	Vishay-Dale
R6	1	0	RES, 0, 5%, 0.1 W	0603	CRCW06030000Z0EA	Vishay-Dale
R7	1	100	RES, 100, 1%, 0.1 W	0603	CRCW0603100RFKEA	Vishay-Dale
R8, R9	2	1.0k	RES, 1.0 k, 5%, 0.1 W	0603	CRCW06031K00JNEA	Vishay-Dale
R10, R16, R17	3	100k	RES, 100 k, 1%, 0.1 W	0603	CRCW0603100KFKEA	Vishay-Dale
R11	1	0.06	RES, 0.06, 1%, 1 W	1210	CSRN2010FK60L0	Stackpole Electronics Inc
R12	1	10.0k	RES, 10.0 k, 1%, 0.1 W	0603	CRCW060310K0FKEA	Vishay-Dale
R13	1	102k	RES, 102 k, 1%, 0.1 W	0603	CRCW0603102KFKEA	Vishay-Dale
R14, R15	2	10.0	RES, 10.0, 1%, 0.1 W	0603	CRCW060310R0FKEA	Vishay-Dale
R18	1	20.0k	RES, 20.0 k, 1%, 0.1 W	0603	CRCW060320K0FKEA	Vishay-Dale
R19	1	1.43k	RES, 1.43 k, 1%, 0.1 W	0603	CRCW06031K43FKEA	Vishay-Dale
R21	1	11.8k	RES, 11.8 k, 1%, 0.1 W	0603	CRCW060311K8FKEA	Vishay-Dale

STANDARD TERMS AND CONDITIONS FOR EVALUATION MODULES

1. *Delivery:* TI delivers TI evaluation boards, kits, or modules, including any accompanying demonstration software, components, or documentation (collectively, an "EVM" or "EVMs") to the User ("User") in accordance with the terms and conditions set forth herein. Acceptance of the EVM is expressly subject to the following terms and conditions.
 - 1.1 EVMs are intended solely for product or software developers for use in a research and development setting to facilitate feasibility evaluation, experimentation, or scientific analysis of TI semiconductors products. EVMs have no direct function and are not finished products. EVMs shall not be directly or indirectly assembled as a part or subassembly in any finished product. For clarification, any software or software tools provided with the EVM ("Software") shall not be subject to the terms and conditions set forth herein but rather shall be subject to the applicable terms and conditions that accompany such Software
 - 1.2 EVMs are not intended for consumer or household use. EVMs may not be sold, sublicensed, leased, rented, loaned, assigned, or otherwise distributed for commercial purposes by Users, in whole or in part, or used in any finished product or production system.
2. *Limited Warranty and Related Remedies/Disclaimers:*
 - 2.1 These terms and conditions do not apply to Software. The warranty, if any, for Software is covered in the applicable Software License Agreement.
 - 2.2 TI warrants that the TI EVM will conform to TI's published specifications for ninety (90) days after the date TI delivers such EVM to User. Notwithstanding the foregoing, TI shall not be liable for any defects that are caused by neglect, misuse or mistreatment by an entity other than TI, including improper installation or testing, or for any EVMs that have been altered or modified in any way by an entity other than TI. Moreover, TI shall not be liable for any defects that result from User's design, specifications or instructions for such EVMs. Testing and other quality control techniques are used to the extent TI deems necessary or as mandated by government requirements. TI does not test all parameters of each EVM.
 - 2.3 If any EVM fails to conform to the warranty set forth above, TI's sole liability shall be at its option to repair or replace such EVM, or credit User's account for such EVM. TI's liability under this warranty shall be limited to EVMs that are returned during the warranty period to the address designated by TI and that are determined by TI not to conform to such warranty. If TI elects to repair or replace such EVM, TI shall have a reasonable time to repair such EVM or provide replacements. Repaired EVMs shall be warranted for the remainder of the original warranty period. Replaced EVMs shall be warranted for a new full ninety (90) day warranty period.
3. *Regulatory Notices:*
 - 3.1 *United States*
 - 3.1.1 *Notice applicable to EVMs not FCC-Approved:*

This kit is designed to allow product developers to evaluate electronic components, circuitry, or software associated with the kit to determine whether to incorporate such items in a finished product and software developers to write software applications for use with the end product. This kit is not a finished product and when assembled may not be resold or otherwise marketed unless all required FCC equipment authorizations are first obtained. Operation is subject to the condition that this product not cause harmful interference to licensed radio stations and that this product accept harmful interference. Unless the assembled kit is designed to operate under part 15, part 18 or part 95 of this chapter, the operator of the kit must operate under the authority of an FCC license holder or must secure an experimental authorization under part 5 of this chapter.
 - 3.1.2 *For EVMs annotated as FCC – FEDERAL COMMUNICATIONS COMMISSION Part 15 Compliant:*

CAUTION

This device complies with part 15 of the FCC Rules. Operation is subject to the following two conditions: (1) This device may not cause harmful interference, and (2) this device must accept any interference received, including interference that may cause undesired operation.

Changes or modifications not expressly approved by the party responsible for compliance could void the user's authority to operate the equipment.

FCC Interference Statement for Class A EVM devices

NOTE: This equipment has been tested and found to comply with the limits for a Class A digital device, pursuant to part 15 of the FCC Rules. These limits are designed to provide reasonable protection against harmful interference when the equipment is operated in a commercial environment. This equipment generates, uses, and can radiate radio frequency energy and, if not installed and used in accordance with the instruction manual, may cause harmful interference to radio communications. Operation of this equipment in a residential area is likely to cause harmful interference in which case the user will be required to correct the interference at his own expense.

FCC Interference Statement for Class B EVM devices

NOTE: This equipment has been tested and found to comply with the limits for a Class B digital device, pursuant to part 15 of the FCC Rules. These limits are designed to provide reasonable protection against harmful interference in a residential installation. This equipment generates, uses and can radiate radio frequency energy and, if not installed and used in accordance with the instructions, may cause harmful interference to radio communications. However, there is no guarantee that interference will not occur in a particular installation. If this equipment does cause harmful interference to radio or television reception, which can be determined by turning the equipment off and on, the user is encouraged to try to correct the interference by one or more of the following measures:

- Reorient or relocate the receiving antenna.
- Increase the separation between the equipment and receiver.
- Connect the equipment into an outlet on a circuit different from that to which the receiver is connected.
- Consult the dealer or an experienced radio/TV technician for help.

3.2 Canada

3.2.1 For EVMs issued with an Industry Canada Certificate of Conformance to RSS-210

Concerning EVMs Including Radio Transmitters:

This device complies with Industry Canada license-exempt RSS standard(s). Operation is subject to the following two conditions: (1) this device may not cause interference, and (2) this device must accept any interference, including interference that may cause undesired operation of the device.

Concernant les EVMs avec appareils radio:

Le présent appareil est conforme aux CNR d'Industrie Canada applicables aux appareils radio exempts de licence. L'exploitation est autorisée aux deux conditions suivantes: (1) l'appareil ne doit pas produire de brouillage, et (2) l'utilisateur de l'appareil doit accepter tout brouillage radioélectrique subi, même si le brouillage est susceptible d'en compromettre le fonctionnement.

Concerning EVMs Including Detachable Antennas:

Under Industry Canada regulations, this radio transmitter may only operate using an antenna of a type and maximum (or lesser) gain approved for the transmitter by Industry Canada. To reduce potential radio interference to other users, the antenna type and its gain should be so chosen that the equivalent isotropically radiated power (e.i.r.p.) is not more than that necessary for successful communication. This radio transmitter has been approved by Industry Canada to operate with the antenna types listed in the user guide with the maximum permissible gain and required antenna impedance for each antenna type indicated. Antenna types not included in this list, having a gain greater than the maximum gain indicated for that type, are strictly prohibited for use with this device.

Concernant les EVMs avec antennes détachables

Conformément à la réglementation d'Industrie Canada, le présent émetteur radio peut fonctionner avec une antenne d'un type et d'un gain maximal (ou inférieur) approuvé pour l'émetteur par Industrie Canada. Dans le but de réduire les risques de brouillage radioélectrique à l'intention des autres utilisateurs, il faut choisir le type d'antenne et son gain de sorte que la puissance isotrope rayonnée équivalente (p.i.r.e.) ne dépasse pas l'intensité nécessaire à l'établissement d'une communication satisfaisante. Le présent émetteur radio a été approuvé par Industrie Canada pour fonctionner avec les types d'antenne énumérés dans le manuel d'usage et ayant un gain admissible maximal et l'impédance requise pour chaque type d'antenne. Les types d'antenne non inclus dans cette liste, ou dont le gain est supérieur au gain maximal indiqué, sont strictement interdits pour l'exploitation de l'émetteur.

3.3 Japan

3.3.1 *Notice for EVMs delivered in Japan:* Please see http://www.tij.co.jp/lstds/ti_ja/general/eStore/notice_01.page 日本国内に輸入される評価用キット、ボードについては、次のところをご覧ください。
http://www.tij.co.jp/lstds/ti_ja/general/eStore/notice_01.page

3.3.2 *Notice for Users of EVMs Considered "Radio Frequency Products" in Japan:* EVMs entering Japan may not be certified by TI as conforming to Technical Regulations of Radio Law of Japan.

If User uses EVMs in Japan, not certified to Technical Regulations of Radio Law of Japan, User is required by Radio Law of Japan to follow the instructions below with respect to EVMs:

1. Use EVMs in a shielded room or any other test facility as defined in the notification #173 issued by Ministry of Internal Affairs and Communications on March 28, 2006, based on Sub-section 1.1 of Article 6 of the Ministry's Rule for Enforcement of Radio Law of Japan,
2. Use EVMs only after User obtains the license of Test Radio Station as provided in Radio Law of Japan with respect to EVMs, or
3. Use of EVMs only after User obtains the Technical Regulations Conformity Certification as provided in Radio Law of Japan with respect to EVMs. Also, do not transfer EVMs, unless User gives the same notice above to the transferee. Please note that if User does not follow the instructions above, User will be subject to penalties of Radio Law of Japan.

【無線電波を送信する製品の開発キットをお使いになる際の注意事項】 開発キットの中には技術基準適合証明を受けていないものがあります。技術適合証明を受けていないものご使用に際しては、電波法遵守のため、以下のいずれかの措置を取っていただく必要がありますのでご注意ください。

1. 電波法施行規則第6条第1項第1号に基づく平成18年3月28日総務省告示第173号で定められた電波暗室等の試験設備でご使用いただく。
2. 実験局の免許を取得後ご使用いただく。
3. 技術基準適合証明を取得後ご使用いただく。

なお、本製品は、上記の「ご使用にあたっての注意」を譲渡先、移転先に通知しない限り、譲渡、移転できないものとします。

上記を遵守頂けない場合は、電波法の罰則が適用される可能性があることをご留意ください。日本テキサス・インスツルメンツ株式会社
東京都新宿区西新宿 6 丁目 2 4 番 1 号
西新宿三井ビル

3.3.3 *Notice for EVMs for Power Line Communication:* Please see http://www.tij.co.jp/llds/ti_ja/general/eStore/notice_02.page
電力線搬送波通信についての開発キットをお使いになる際の注意事項については、次のところをご覧ください。http://www.tij.co.jp/llds/ti_ja/general/eStore/notice_02.page

4 *EVM Use Restrictions and Warnings:*

4.1 EVMS ARE NOT FOR USE IN FUNCTIONAL SAFETY AND/OR SAFETY CRITICAL EVALUATIONS, INCLUDING BUT NOT LIMITED TO EVALUATIONS OF LIFE SUPPORT APPLICATIONS.

4.2 User must read and apply the user guide and other available documentation provided by TI regarding the EVM prior to handling or using the EVM, including without limitation any warning or restriction notices. The notices contain important safety information related to, for example, temperatures and voltages.

4.3 *Safety-Related Warnings and Restrictions:*

4.3.1 User shall operate the EVM within TI's recommended specifications and environmental considerations stated in the user guide, other available documentation provided by TI, and any other applicable requirements and employ reasonable and customary safeguards. Exceeding the specified performance ratings and specifications (including but not limited to input and output voltage, current, power, and environmental ranges) for the EVM may cause personal injury or death, or property damage. If there are questions concerning performance ratings and specifications, User should contact a TI field representative prior to connecting interface electronics including input power and intended loads. Any loads applied outside of the specified output range may also result in unintended and/or inaccurate operation and/or possible permanent damage to the EVM and/or interface electronics. Please consult the EVM user guide prior to connecting any load to the EVM output. If there is uncertainty as to the load specification, please contact a TI field representative. During normal operation, even with the inputs and outputs kept within the specified allowable ranges, some circuit components may have elevated case temperatures. These components include but are not limited to linear regulators, switching transistors, pass transistors, current sense resistors, and heat sinks, which can be identified using the information in the associated documentation. When working with the EVM, please be aware that the EVM may become very warm.

4.3.2 EVMs are intended solely for use by technically qualified, professional electronics experts who are familiar with the dangers and application risks associated with handling electrical mechanical components, systems, and subsystems. User assumes all responsibility and liability for proper and safe handling and use of the EVM by User or its employees, affiliates, contractors or designees. User assumes all responsibility and liability to ensure that any interfaces (electronic and/or mechanical) between the EVM and any human body are designed with suitable isolation and means to safely limit accessible leakage currents to minimize the risk of electrical shock hazard. User assumes all responsibility and liability for any improper or unsafe handling or use of the EVM by User or its employees, affiliates, contractors or designees.

4.4 User assumes all responsibility and liability to determine whether the EVM is subject to any applicable international, federal, state, or local laws and regulations related to User's handling and use of the EVM and, if applicable, User assumes all responsibility and liability for compliance in all respects with such laws and regulations. User assumes all responsibility and liability for proper disposal and recycling of the EVM consistent with all applicable international, federal, state, and local requirements.

5. *Accuracy of Information:* To the extent TI provides information on the availability and function of EVMs, TI attempts to be as accurate as possible. However, TI does not warrant the accuracy of EVM descriptions, EVM availability or other information on its websites as accurate, complete, reliable, current, or error-free.

6. *Disclaimers:*
- 6.1 EXCEPT AS SET FORTH ABOVE, EVMS AND ANY WRITTEN DESIGN MATERIALS PROVIDED WITH THE EVM (AND THE DESIGN OF THE EVM ITSELF) ARE PROVIDED "AS IS" AND "WITH ALL FAULTS." TI DISCLAIMS ALL OTHER WARRANTIES, EXPRESS OR IMPLIED, REGARDING SUCH ITEMS, INCLUDING BUT NOT LIMITED TO ANY IMPLIED WARRANTIES OF MERCHANTABILITY OR FITNESS FOR A PARTICULAR PURPOSE OR NON-INFRINGEMENT OF ANY THIRD PARTY PATENTS, COPYRIGHTS, TRADE SECRETS OR OTHER INTELLECTUAL PROPERTY RIGHTS.
- 6.2 EXCEPT FOR THE LIMITED RIGHT TO USE THE EVM SET FORTH HEREIN, NOTHING IN THESE TERMS AND CONDITIONS SHALL BE CONSTRUED AS GRANTING OR CONFERRING ANY RIGHTS BY LICENSE, PATENT, OR ANY OTHER INDUSTRIAL OR INTELLECTUAL PROPERTY RIGHT OF TI, ITS SUPPLIERS/LICENSORS OR ANY OTHER THIRD PARTY, TO USE THE EVM IN ANY FINISHED END-USER OR READY-TO-USE FINAL PRODUCT, OR FOR ANY INVENTION, DISCOVERY OR IMPROVEMENT MADE, CONCEIVED OR ACQUIRED PRIOR TO OR AFTER DELIVERY OF THE EVM.
7. *USER'S INDEMNITY OBLIGATIONS AND REPRESENTATIONS.* USER WILL DEFEND, INDEMNIFY AND HOLD TI, ITS LICENSORS AND THEIR REPRESENTATIVES HARMLESS FROM AND AGAINST ANY AND ALL CLAIMS, DAMAGES, LOSSES, EXPENSES, COSTS AND LIABILITIES (COLLECTIVELY, "CLAIMS") ARISING OUT OF OR IN CONNECTION WITH ANY HANDLING OR USE OF THE EVM THAT IS NOT IN ACCORDANCE WITH THESE TERMS AND CONDITIONS. THIS OBLIGATION SHALL APPLY WHETHER CLAIMS ARISE UNDER STATUTE, REGULATION, OR THE LAW OF TORT, CONTRACT OR ANY OTHER LEGAL THEORY, AND EVEN IF THE EVM FAILS TO PERFORM AS DESCRIBED OR EXPECTED.
8. *Limitations on Damages and Liability:*
- 8.1 *General Limitations.* IN NO EVENT SHALL TI BE LIABLE FOR ANY SPECIAL, COLLATERAL, INDIRECT, PUNITIVE, INCIDENTAL, CONSEQUENTIAL, OR EXEMPLARY DAMAGES IN CONNECTION WITH OR ARISING OUT OF THESE TERMS AND CONDITIONS OR THE USE OF THE EVMS PROVIDED HEREUNDER, REGARDLESS OF WHETHER TI HAS BEEN ADVISED OF THE POSSIBILITY OF SUCH DAMAGES. EXCLUDED DAMAGES INCLUDE, BUT ARE NOT LIMITED TO, COST OF REMOVAL OR REINSTALLATION, ANCILLARY COSTS TO THE PROCUREMENT OF SUBSTITUTE GOODS OR SERVICES, RETESTING, OUTSIDE COMPUTER TIME, LABOR COSTS, LOSS OF GOODWILL, LOSS OF PROFITS, LOSS OF SAVINGS, LOSS OF USE, LOSS OF DATA, OR BUSINESS INTERRUPTION. NO CLAIM, SUIT OR ACTION SHALL BE BROUGHT AGAINST TI MORE THAN ONE YEAR AFTER THE RELATED CAUSE OF ACTION HAS OCCURRED.
- 8.2 *Specific Limitations.* IN NO EVENT SHALL TI'S AGGREGATE LIABILITY FROM ANY WARRANTY OR OTHER OBLIGATION ARISING OUT OF OR IN CONNECTION WITH THESE TERMS AND CONDITIONS, OR ANY USE OF ANY TI EVM PROVIDED HEREUNDER, EXCEED THE TOTAL AMOUNT PAID TO TI FOR THE PARTICULAR UNITS SOLD UNDER THESE TERMS AND CONDITIONS WITH RESPECT TO WHICH LOSSES OR DAMAGES ARE CLAIMED. THE EXISTENCE OF MORE THAN ONE CLAIM AGAINST THE PARTICULAR UNITS SOLD TO USER UNDER THESE TERMS AND CONDITIONS SHALL NOT ENLARGE OR EXTEND THIS LIMIT.
9. *Return Policy.* Except as otherwise provided, TI does not offer any refunds, returns, or exchanges. Furthermore, no return of EVM(s) will be accepted if the package has been opened and no return of the EVM(s) will be accepted if they are damaged or otherwise not in a resalable condition. If User feels it has been incorrectly charged for the EVM(s) it ordered or that delivery violates the applicable order, User should contact TI. All refunds will be made in full within thirty (30) working days from the return of the components(s), excluding any postage or packaging costs.
10. *Governing Law:* These terms and conditions shall be governed by and interpreted in accordance with the laws of the State of Texas, without reference to conflict-of-laws principles. User agrees that non-exclusive jurisdiction for any dispute arising out of or relating to these terms and conditions lies within courts located in the State of Texas and consents to venue in Dallas County, Texas. Notwithstanding the foregoing, any judgment may be enforced in any United States or foreign court, and TI may seek injunctive relief in any United States or foreign court.

Mailing Address: Texas Instruments, Post Office Box 655303, Dallas, Texas 75265
Copyright © 2015, Texas Instruments Incorporated

IMPORTANT NOTICE

Texas Instruments Incorporated and its subsidiaries (TI) reserve the right to make corrections, enhancements, improvements and other changes to its semiconductor products and services per JESD46, latest issue, and to discontinue any product or service per JESD48, latest issue. Buyers should obtain the latest relevant information before placing orders and should verify that such information is current and complete. All semiconductor products (also referred to herein as "components") are sold subject to TI's terms and conditions of sale supplied at the time of order acknowledgment.

TI warrants performance of its components to the specifications applicable at the time of sale, in accordance with the warranty in TI's terms and conditions of sale of semiconductor products. Testing and other quality control techniques are used to the extent TI deems necessary to support this warranty. Except where mandated by applicable law, testing of all parameters of each component is not necessarily performed.

TI assumes no liability for applications assistance or the design of Buyers' products. Buyers are responsible for their products and applications using TI components. To minimize the risks associated with Buyers' products and applications, Buyers should provide adequate design and operating safeguards.

TI does not warrant or represent that any license, either express or implied, is granted under any patent right, copyright, mask work right, or other intellectual property right relating to any combination, machine, or process in which TI components or services are used. Information published by TI regarding third-party products or services does not constitute a license to use such products or services or a warranty or endorsement thereof. Use of such information may require a license from a third party under the patents or other intellectual property of the third party, or a license from TI under the patents or other intellectual property of TI.

Reproduction of significant portions of TI information in TI data books or data sheets is permissible only if reproduction is without alteration and is accompanied by all associated warranties, conditions, limitations, and notices. TI is not responsible or liable for such altered documentation. Information of third parties may be subject to additional restrictions.

Resale of TI components or services with statements different from or beyond the parameters stated by TI for that component or service voids all express and any implied warranties for the associated TI component or service and is an unfair and deceptive business practice. TI is not responsible or liable for any such statements.

Buyer acknowledges and agrees that it is solely responsible for compliance with all legal, regulatory and safety-related requirements concerning its products, and any use of TI components in its applications, notwithstanding any applications-related information or support that may be provided by TI. Buyer represents and agrees that it has all the necessary expertise to create and implement safeguards which anticipate dangerous consequences of failures, monitor failures and their consequences, lessen the likelihood of failures that might cause harm and take appropriate remedial actions. Buyer will fully indemnify TI and its representatives against any damages arising out of the use of any TI components in safety-critical applications.

In some cases, TI components may be promoted specifically to facilitate safety-related applications. With such components, TI's goal is to help enable customers to design and create their own end-product solutions that meet applicable functional safety standards and requirements. Nonetheless, such components are subject to these terms.

No TI components are authorized for use in FDA Class III (or similar life-critical medical equipment) unless authorized officers of the parties have executed a special agreement specifically governing such use.

Only those TI components which TI has specifically designated as military grade or "enhanced plastic" are designed and intended for use in military/aerospace applications or environments. Buyer acknowledges and agrees that any military or aerospace use of TI components which have **not** been so designated is solely at the Buyer's risk, and that Buyer is solely responsible for compliance with all legal and regulatory requirements in connection with such use.

TI has specifically designated certain components as meeting ISO/TS16949 requirements, mainly for automotive use. In any case of use of non-designated products, TI will not be responsible for any failure to meet ISO/TS16949.

Products

Audio	www.ti.com/audio
Amplifiers	amplifier.ti.com
Data Converters	dataconverter.ti.com
DLP® Products	www.dlp.com
DSP	dsp.ti.com
Clocks and Timers	www.ti.com/clocks
Interface	interface.ti.com
Logic	logic.ti.com
Power Mgmt	power.ti.com
Microcontrollers	microcontroller.ti.com
RFID	www.ti-rfid.com
OMAP Applications Processors	www.ti.com/omap
Wireless Connectivity	www.ti.com/wirelessconnectivity

Applications

Automotive and Transportation	www.ti.com/automotive
Communications and Telecom	www.ti.com/communications
Computers and Peripherals	www.ti.com/computers
Consumer Electronics	www.ti.com/consumer-apps
Energy and Lighting	www.ti.com/energy
Industrial	www.ti.com/industrial
Medical	www.ti.com/medical
Security	www.ti.com/security
Space, Avionics and Defense	www.ti.com/space-avionics-defense
Video and Imaging	www.ti.com/video

TI E2E Community

e2e.ti.com