

THIS DRAWING IS UNPUBLISHED.

RELEASED FOR PUBLICATION

© COPYRIGHT - By -

ALL RIGHTS RESERVED.

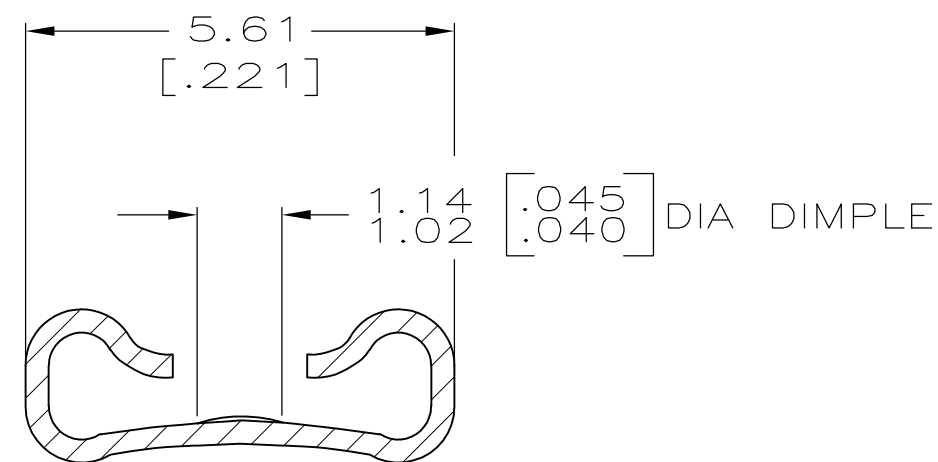
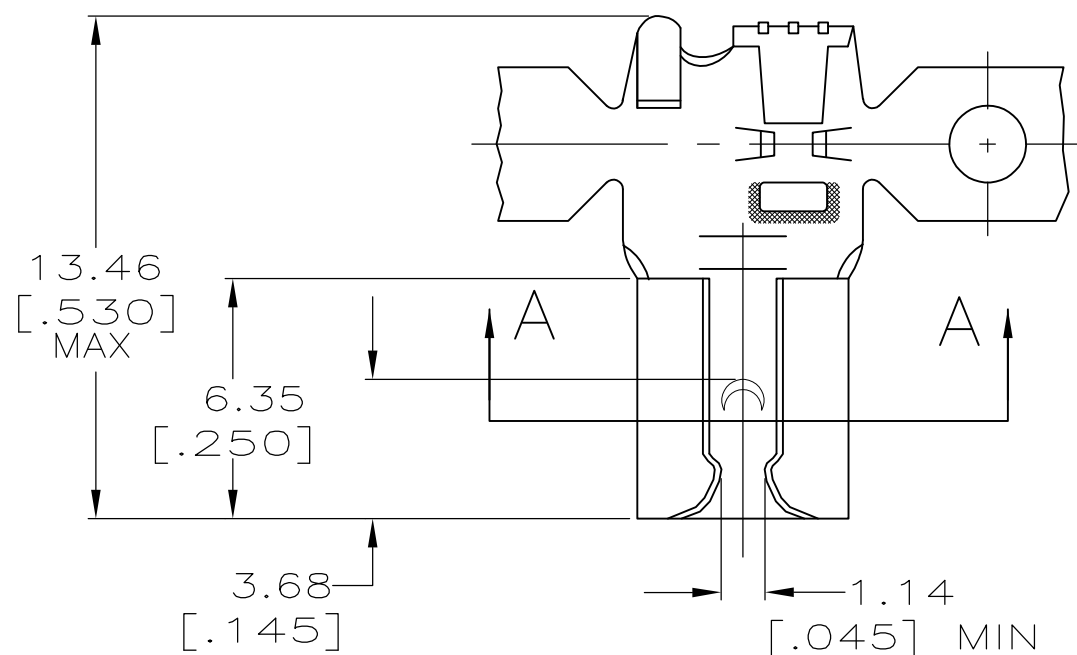
LOC
AF

DIST
50

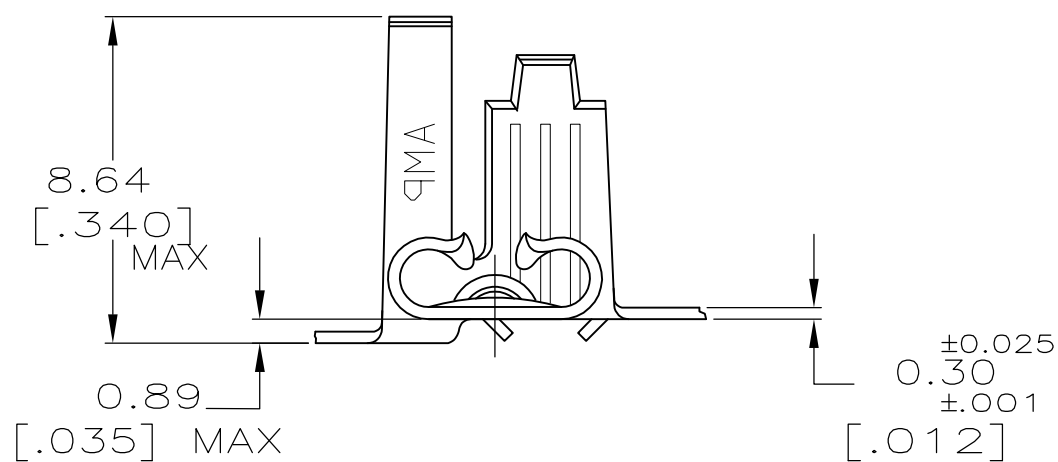
REVISIONS

| P | LTR | DESCRIPTION | DATE | DWN | APVD |
|---|-----|---------------------------|-----------|-----|------|
| | F | REVISED PER ECR-12-013459 | 28NOV2012 | KH | PD |

- 1 CONTINUOUS STRIP ON REELS.
- 2 MATING TAB THK IS 0.51 ± 0.025 $[\cdot 020 \pm \cdot 001]$.
- 3 WIRE SIZE IS $\#[20-16]$ AWG
- 4 INSULATION RANGE IS 2.79-4.32 $[\cdot 110-.170]$ DIA.



SECTION A-A
SCALE 10:1



| | |
|--------|----------|
| TIN | 61029-2 |
| - | 61029-1 |
| FINISH | PART NO. |

| | | | | | |
|--|--|------------------------------|---|--------------------|-----------------------|
| THIS DRAWING IS A CONTROLLED DOCUMENT. | | DWN JR RUTH 1/9/97 | STE TE Connectivity | | |
| DIMENSIONS: mm [INCHES] | | CHK MS FEHER 1/9/97 | | | |
| TOLERANCES UNLESS OTHERWISE SPECIFIED: | | APVD P DESANTIS 1/9/97 | NAME RECEPTACLE, FASTON, 4.75 [.187] SERIES | | |
| 0 PLC ± - | | PRODUCT SPEC | - | | |
| 1 PLC ± - | | APPLICATION SPEC | - | | |
| 2 PLC ± 0.38 [.015] | | WEIGHT | SIZE A3 | CAGE CODE 00779 | DRAWING NO C-61029 |
| 3 PLC ± - | | MATERIAL BRASS | RESTRICTED TO - | | |
| 4 PLC ± - | | | SCALE 5:1 SHEET 1 OF 1 REV F | | |
| ANGLES ± - | | CUSTOMER DRAWING | | | |
| FINISH SEE TABLE | | | | | |