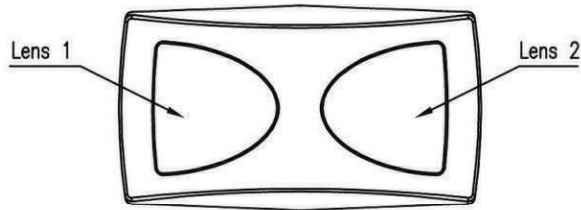


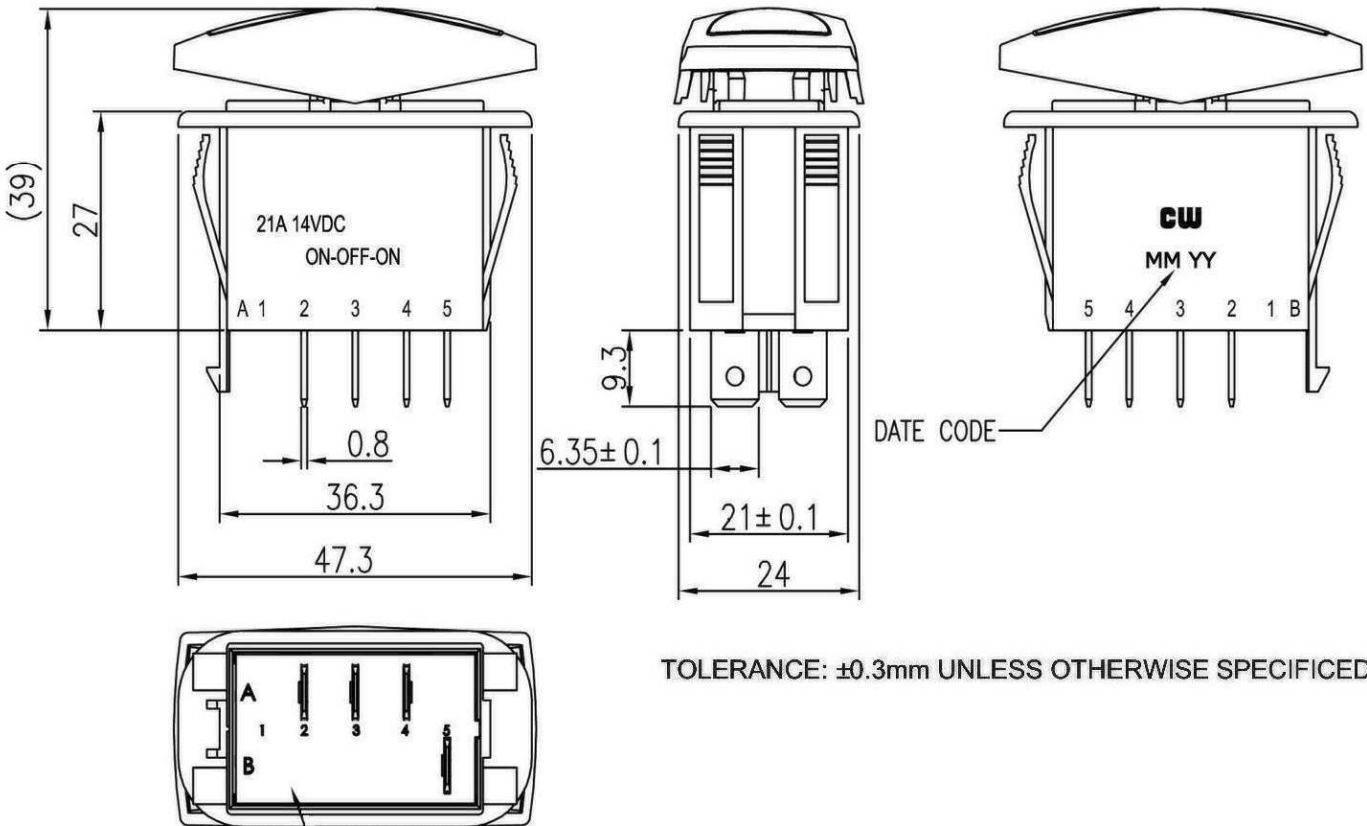
THIS INFORMATION IS CONFIDENTIAL AND PROPRIETARY TO CW INDUSTRIES INCORPORATED AND ITS AFFILIATES. IT MAY NOT BE DISCLOSED TO ANYONE, OTHER THAN CW INDUSTRIES PERSONNEL, WITHOUT WRITTEN AUTHORIZATION FROM CW INDUSTRIES INCORPORATED, SOUTHAMPTON, PENNSYLVANIA USA.

<b>Rating</b>	21A 14VDC		<b>Mounting Hole</b>	<b>Circuit Diagram</b>									
<b>Contact Resistance</b>	50m ohm Max.												
<b>Insulation Resistance</b>	DC 500V 100M ohm Min.												
<b>Dielectric Strength</b>	AC 1500V 1 minute												
<b>Operation Temperature</b>	-25°~85°												
<b>Switch Function</b>	4P SPDT ON-OFF-ON Lamp Dependent		<table border="1"> <tr> <th>Thickness(mm)</th> <th>X(mm)</th> <th>Y(mm)</th> </tr> <tr> <td>0.75~1.25</td> <td rowspan="3">21.0<sup>+0.3</sup><sub>0</sub></td> <td>36.6+0.1</td> </tr> <tr> <td>1.25~2.0</td> <td>36.8+0.1</td> </tr> <tr> <td>2.0~3.0</td> <td>37.0+0.1</td> </tr> </table>	Thickness(mm)	X(mm)	Y(mm)	0.75~1.25	21.0 <sup>+0.3</sup> <sub>0</sub>	36.6+0.1	1.25~2.0	36.8+0.1	2.0~3.0	37.0+0.1
Thickness(mm)	X(mm)	Y(mm)											
0.75~1.25	21.0 <sup>+0.3</sup> <sub>0</sub>	36.6+0.1											
1.25~2.0		36.8+0.1											
2.0~3.0		37.0+0.1											
<b>Lamp Type</b>	LED 12VDC 14V	w/resistor											



**Material:**

- Frame:** Black, Nylon 66 (94V-2)  
**Actuator:** Black, Nylon 66+33% GF  
**Lens 1:** Red, PC  
**Lens 2:** Green, PC  
**Terminal:** Silver plated copper (except lamp terminal)  
**Printed:** None
- Waterproof:** IP-67



TOLERANCE: ±0.3mm UNLESS OTHERWISE SPECIFIED.

RoHS Compliant

- |   |   |
|---|---|
| 3 | Added Dependent to Function & Lamp Type. 12/16/2011.          |
| 2 | IP67 was I66 and added Sealant on base to bot. view. 8/24/10. |
| 1 | IP66 was IP67 & Removed Filled Epoxy from bot. view. 7/22/10  |

**CW INDUSTRIES**  
 Southampton, Pa. 18966  
 Tel 215.355.7080/www.cwind.com

Date Drawn: 9/29/09

Rev. 3

Unit: mm

Checked By: *G. Gold*

Title: **ROCKER SWITCH**

CW P/N: **GRB292D301BBRG1**