

Ratings

Voltage: 600 V
 Temperature: -40~105 °C
 Flammability: FT2

Conductor

Conductor count: 6
 Gauge: 28 AWG 0.09 mm²
 Material: tinned copper strands
 Strand size: $\phi 0.127 \times 7$
 Resistance at 20 °C: 250 Ω /km max

Insulator

Material: mPPE
 Color: red, black, white, yellow, blue, green
 Diameter: $\phi 0.9 \pm 0.08$ mm
 Average thickness: 0.25 mm
 Resistance at 20 °C: 100 M Ω /km min

Filler

Material: cotton rope

Wrap

Material: cotton paper

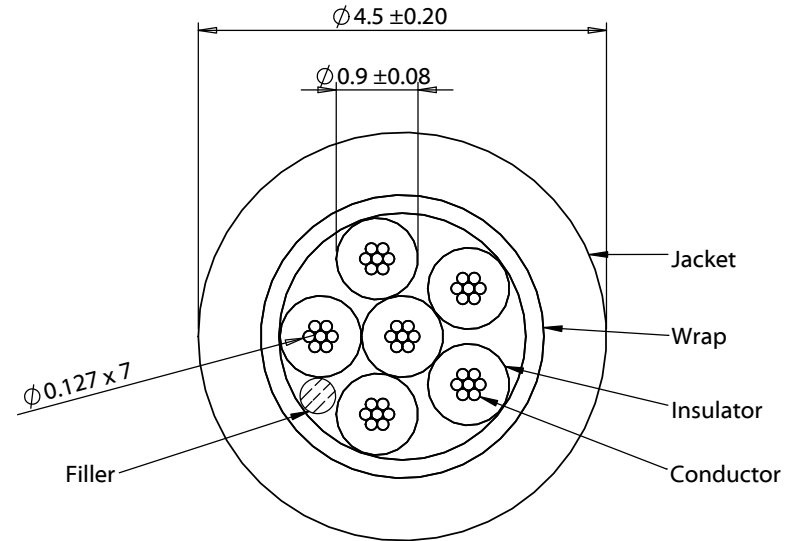
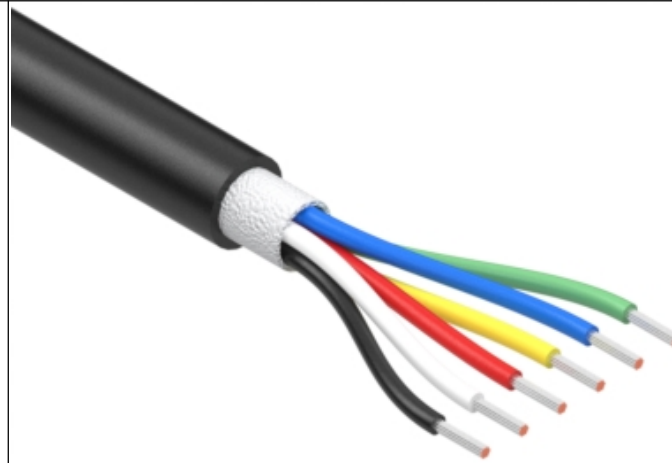
Outer jacket

Material: mPPE, 85A
 Color: black
 Diameter: $\phi 4.5 \pm 0.20$ mm
 Average thickness: 0.85 mm

Wire marking: E339579 UL AWM STYLE 21509 28 AWG 105°C
 600V --- cUL AWM I A 105°C 600V FT2 TENSILITY

Bend radius

Minimum: 6 times diameter (27.0 mm)



| Revision: | Date: | Description: |
|-----------|----------|-----------------|
| A | 5/5/2021 | Initial release |
| | | |
| | | |
| | | |

| |
|--|
| Prepared: AW <small>Digitally signed by AW Date: 2021.05.19 11:10:00 -07'00'</small> |
| Verified: JC <small>Digitally signed by JC Date: 2021.05.19 12:22:42 -07'00'</small> |
| Dimensions are in millimeters. Tolerances: X: ± 0.5 mm X.X: ± 0.3 mm X.XX: ± 0.05 mm |

| |
|---|
| Notes: RoHS compliant Phthalate and halogen free |
| Description: Wire, 6C TS, 28 AWG, 21509, 600V, 105C, 4.5 mm, FT2, mPPE |

TENSILITY

tel 1.541.323.3228 800 877.670.7118
 fax 1.541.323.4202 web tensility.com

| | |
|-------------|---|
| Size: A | Part number: 30-02011 |
| Scale: 12:1 |  |

Sheet 1 of 1

5

4

3

2

1