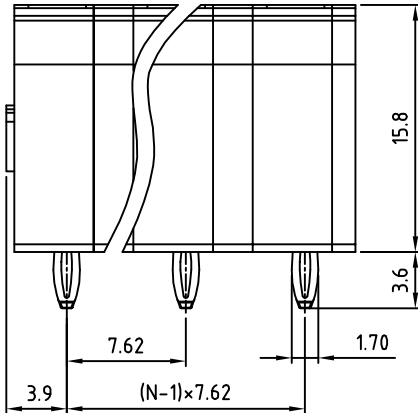
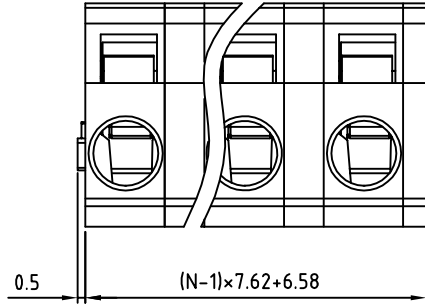
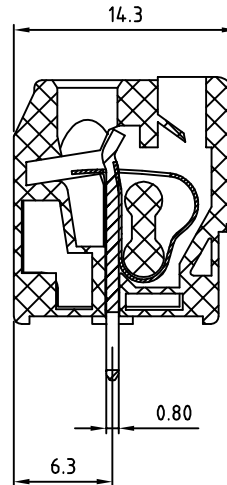


SIGN	DATE	DESCRIPTION	APPROVER
THIS IS CAD DRAWING, DO NOT REVISE MANUALLY!!!			



N=Number of contacts



Material

- Terminal body (Contact pin): Brass
- Wire guard: Stainless steel
- Surface of solder tail: Tin plated
- Insulator (housing): Thermoplastic (UL94V-0)

Electrical

- Voltage rating: 250VAC
- Current rating: 8A
- Wire range:
 - Solid wire(AWG): 12-28
 - Stranded wire(AWG): 12-28
- Wire strip length: 6-7mm
- Withstanding Voltage: 1.5KV
- Operating temperature: -30°C to +105°C
- Soldering temperature: 250°C±10°C/5 Sec
- Safety approval: (cULus) Pending

RoHS Compliant

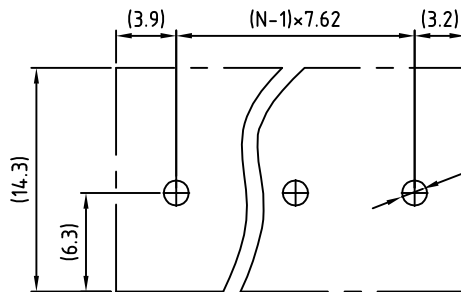
PART NUMBER:

OSTHMXX4081

No. of Poles
 02: 2 Poles
 :
 12: 12 Poles

COLOR
 0: Black
 5: Green
 6: Blue
 8: Grey (Standard)

P.C.B LAYOUT



Diameter of metal-plated hole: $\phi 1.45^{+0.09}_{-0.06}$

THESE DRAWINGS AND SPECIFICATIONS ARE THE PROPERTY OF ON-SHORE TECHNOLOGY, INC. AND SHALL NOT BE REPRODUCED, COPIED OR USED IN ANY MANNER WITHOUT THE PRIOR WRITTEN CONSENT OF ON-SHORE TECHNOLOGY, INC.



TITLE		OSTHM 7.62 mm Series press fit	
PART NO.	OSTHMXX4081	DWG NO.	OSTHMXX4081.DWG
APPROVED	CHECKED	DESIGNED	DRAWN
Shi jun 2006.11.01	Marvin 2006.06.26	Marvin 2006.06.26	Marvin 2006.06.26
SHEET: 01/01		UNIT: mm SCALE: NONE REV: B	
Tolerance			
X.	±0.50		
X.X	±0.30		
X.XX	±0.10		
X°	±1°		