

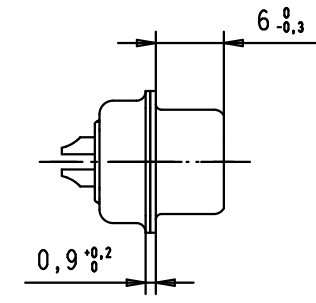
5 4 3 2 1

SPECIFICATION: C Filter

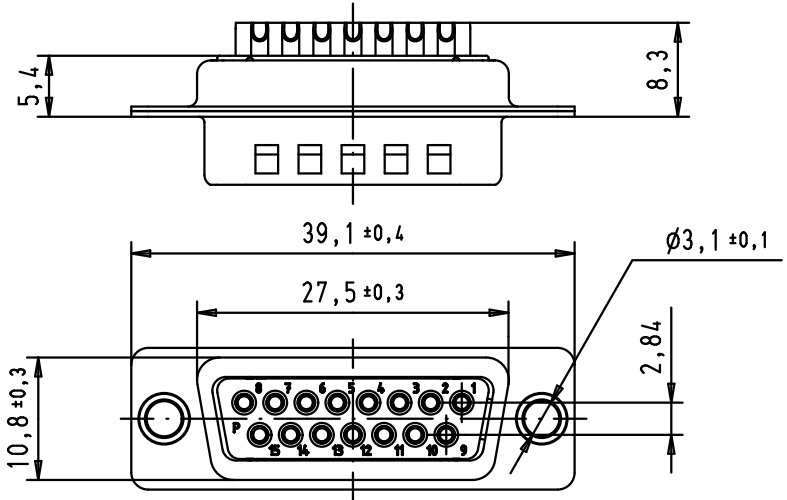
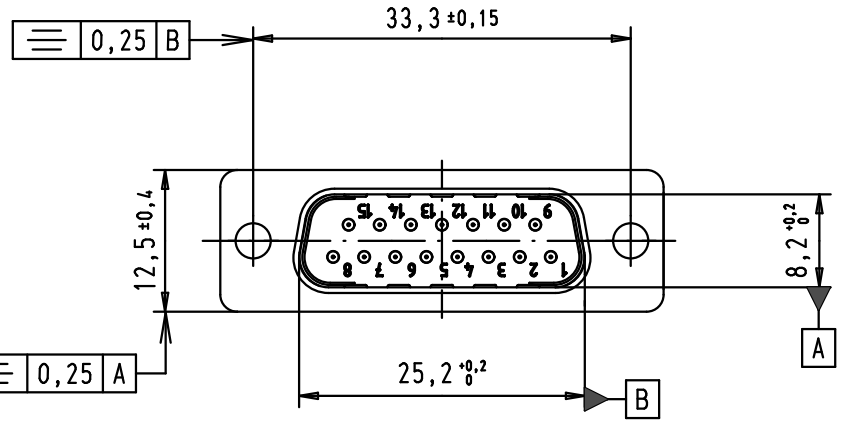
Performance level	PL2
Capacitance	1000pf±20%
Working Voltage	100v
Current Rating	7.5A
Insulation Resistance	>1GΩ

Minimum insertion loss

FREQUENCY (MHz)	ATTENUATION dB
5	1dB
10	3dB
50	12dB
100	20dB
500	34dB
1000	30dB



Max wire  $\phi$  1,0 mm



Mod.	Dat.	Name	Detail.	Dat.	Name
				8-JUL-02	CV
			Insp.	12/01/12	JB
36283	12/01/12	SD	Stand.		
31570	07/11/03	AF			
31058	8-JUL-02	CV			



All Dim. in mm  
Orig. Size DIN A 4

D-Sub, male, Straight  
15 Poles, with turned  
solder bucket and hole

Ma?Mstab/  
Scale  
1.5:1

HARTING EURL  
F-95972 Paris



TB 09642217230

Blatt/ Page  
1 / 1

Sub.

D  
C  
B  
A