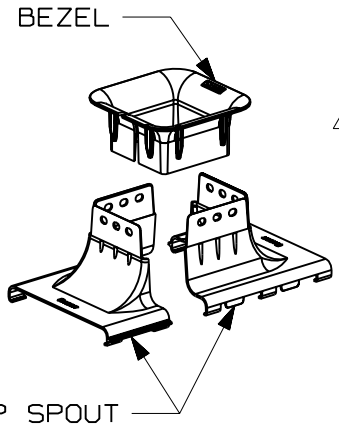


10.00
[254.0]

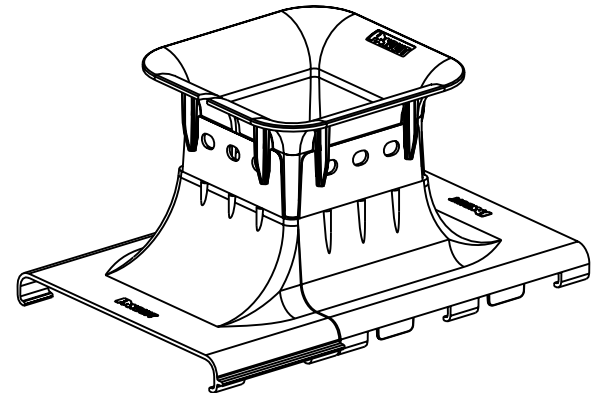
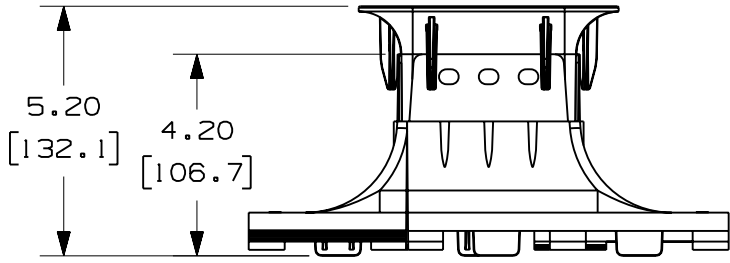
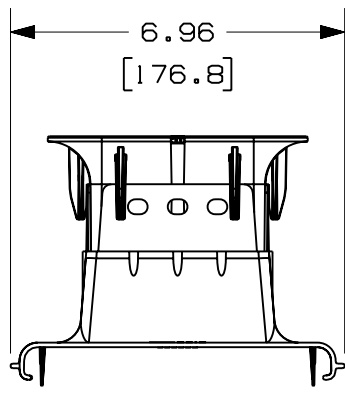


PANDUIT PART NUMBER	WEIGHT
FRUPS6X4	0.59 LB/EACH (269g/EACH)



NOTES:

1. SEE CURRENT CATALOG FOR ADDITIONAL PART SUFFIXES TO INDICATE COLOR AND/OR PACKAGE QUANTITY.
2. THE FIBERRUNNER 6x4 UP SPOUT IS DESIGNED WITH A MINIMUM 2" (50.8) BEND RADIUS TO PROTECT FIBER OPTIC CABLES. THE RADIUSED BEZEL IS DESIGNED WITH A MINIMUM 1" (25.4) BEND RADIUS TO PROTECT FIBER OPTIC CABLES ENTERING OR EXITING THE FITTING.
3. THE FIBERRUNNER 6x4 UP SPOUT INCLUDES: TWO (2) UP SPOUT COMPONENTS, ONE (1) RADIUSED BEZEL
4. DIMENSIONS IN PARENTHESES ARE IN METRIC.



ENG. REF.: D38154BF_DC_FRUPS6X4_01.prt

CAD FILENAME/LAYERS FRUPS6X4.pdf

REV	DATE	BY	CHK	DESCRIPTION	ECN	R	CUST	SUP	GMBH
-	-----	---	---	E. REVISED PART WEIGHT	-----	--	--		
-	-----	---	---	D. REVISED GENERAL NOTES C. REVISED CAD FILENAME	-----	--	--		
1	7-24-06	DTP	RN	B. REVISED DRAWING TITLE A. REVISED AND REDRAWN	38154-06	RN	RN		

PANDUIT CORP TINLEY PARK, ILLINOIS

FIBERRUNNER 6x4 UP SPOUT (FRUPS6X4)
CUSTOMER DRAWING

UNLESS OTHERWISE SPECIFIED, DIMENSIONAL TOLERANCES ARE:
 (.X) ± (.XXX) ±
 (.XX) ± .03 (.8) ANGLES ±

UNLESS OTHERWISE SPECIFIED, ALL DIMENSIONS ARE GIVEN IN INCHES, THIRD ANGLE PROJECTION.

DRAWN BY: JHNU
DATE: 10-12-01
CHK'D: DJWA

MAT'L: ABS

SCALE: NONE

DRAWING NO.: 38154-06
DWG SIZE: A