

MATERIALS AND FINISHES:

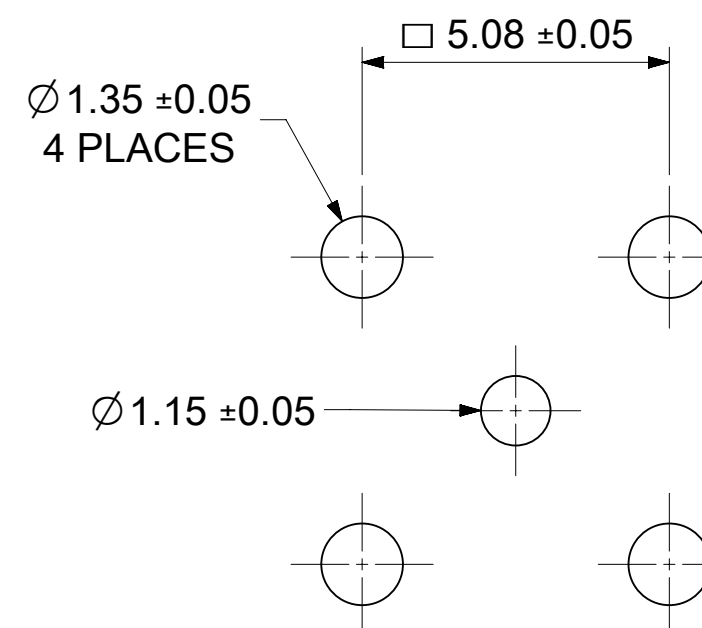
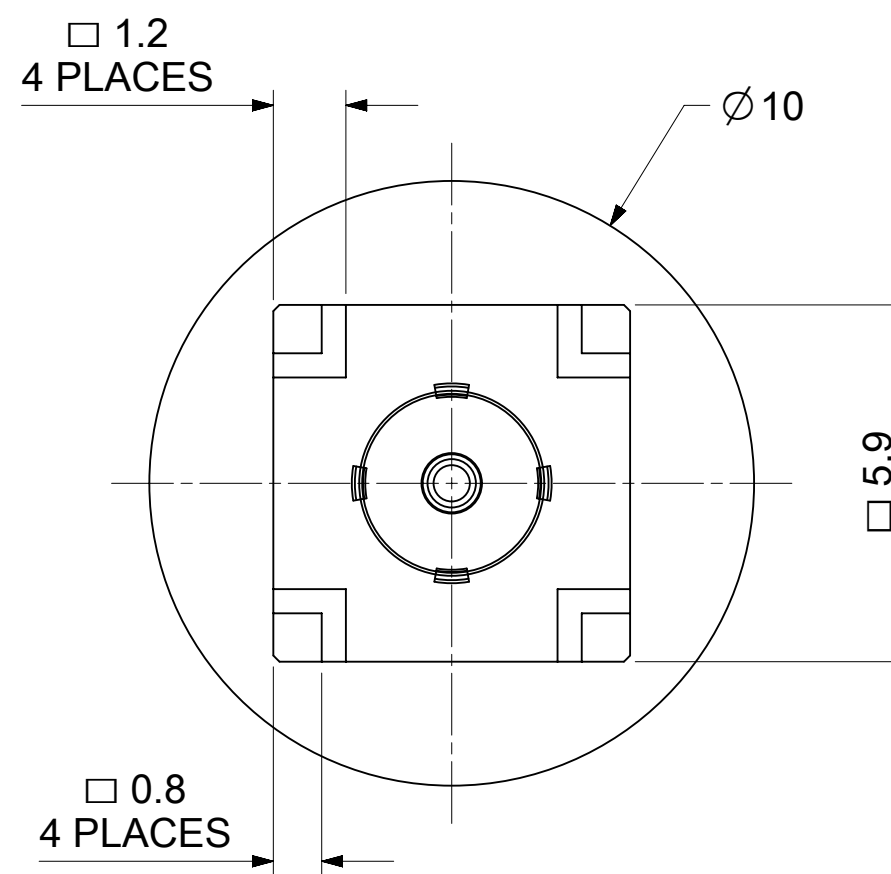
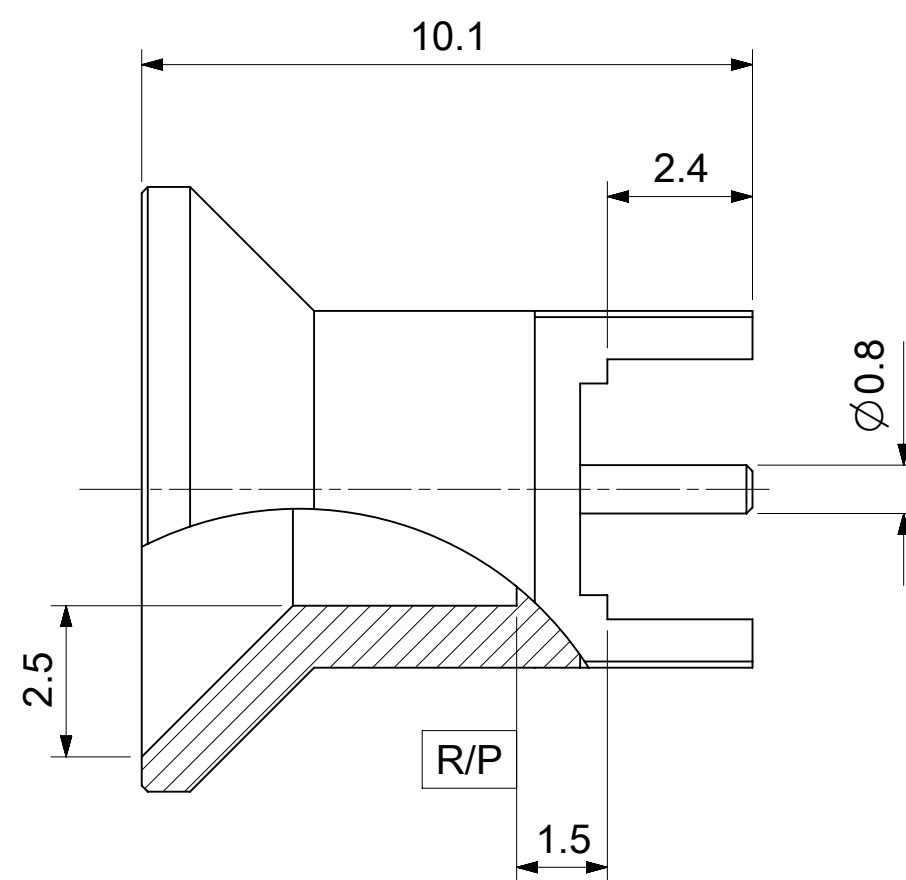
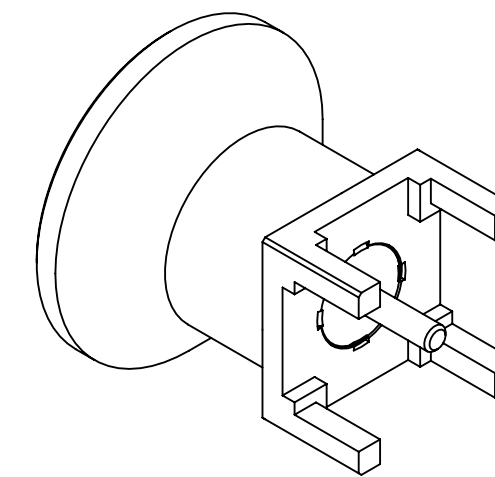
BODY : BRASS
OPTION 1:
 PLATED GOLD (8μ-in MIN) OVER
 HIGH-PHOS NICKEL (80μ-in MIN)
OPTION 2:
 PLATED GOLD (1μ-in MIN) OVER
 HIGH-PHOS NICKEL (80μ-in MIN)

CONTACT : BRASS
 PLATED GOLD (8μ-in MIN) OVER
 HIGH-PHOS NICKEL (80μ-in MIN)

INSULATOR: PTFE

ELECTRICAL CHARACTERISTICS:

NOMINAL IMPEDANCE: 50Ω
 FREQUENCY RANGE: DC-10 GHz
 VSWR: *1.25 MAX UP TO 3GHz, *1.35 MAX 3-6GHz
 INSERTION LOSS: *0.15√F (GHz) dB MAX
 *COAXIAL TRANSMISSION LINE ONLY
 VOLTAGE RATING: 330 Vrms AT SEA LEVEL
 DIELECTRIC WITHSTANDING VOLTAGE: 1000 Vrms
 INSULATION RESISTANCE: 5000 MΩ



RECOMMENDED PCB LAYOUT

73420-5661	OPTION 2	TRAY
73420-5660	OPTION 1	
PART NO.	BODY PLATING	PACKAGING

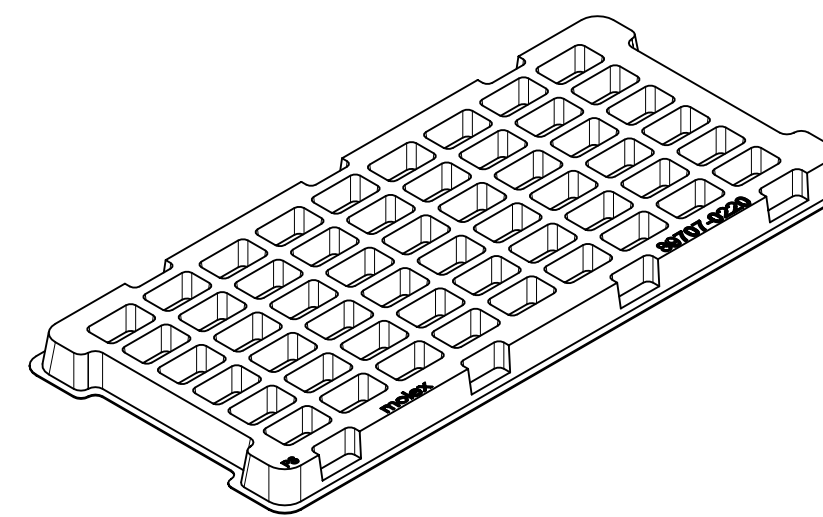
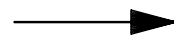
PS-89675-3760	ELEC/MECH PERFORMANCE
SPECIFICATION	DESCRIPTION

THIS DRAWING CONTAINS INFORMATION THAT IS PROPRIETARY TO MOLEX ELECTRONIC TECHNOLOGIES, LLC AND SHOULD NOT BE USED WITHOUT WRITTEN PERMISSION									
DIMENSION UNITS		SCALE		CURRENT REV DESC: ADD 73420-5661 AND ADD PLATING THICKNESS AND ADD ELECTRICAL CHARACTERISTICS PER EWR #15238-A					
mm		NTS							
GENERAL TOLERANCES (UNLESS SPECIFIED)				EC NO: 711256				SMP-MAX PLUG STR SLIDE TYPE	
ANGULAR TOL ± 2.0°				DRWN: RYEH 2022/06/01				PCB TH SMPMAX-P/PCB	
4 PLACES ±				CHK'D: YCHENG 2022/06/23				PRODUCT CUSTOMER DRAWING	
3 PLACES ±				APPR: YCHENG 2022/06/23				DOCUMENT NUMBER	
2 PLACES ± 0.13				INITIAL REVISION:				SD-73420-566	
1 PLACE ± 0.25				DRWN: RYEH 2015/07/13				DOC TYPE	
0 PLACES ± 0.38				APPR: YCHENG 2015/08/25				DOC PART	
DRAFT WHERE APPLICABLE MUST REMAIN WITHIN DIMENSIONS				THIRD ANGLE PROJECTION		DRAWING		REVISION	
						C-SIZE		B	
				SERIES		MATERIAL NUMBER		SHEET NUMBER	
				73420		SEE TABLE		1 OF 2	
				CUSTOMER		GENERAL MARKET			

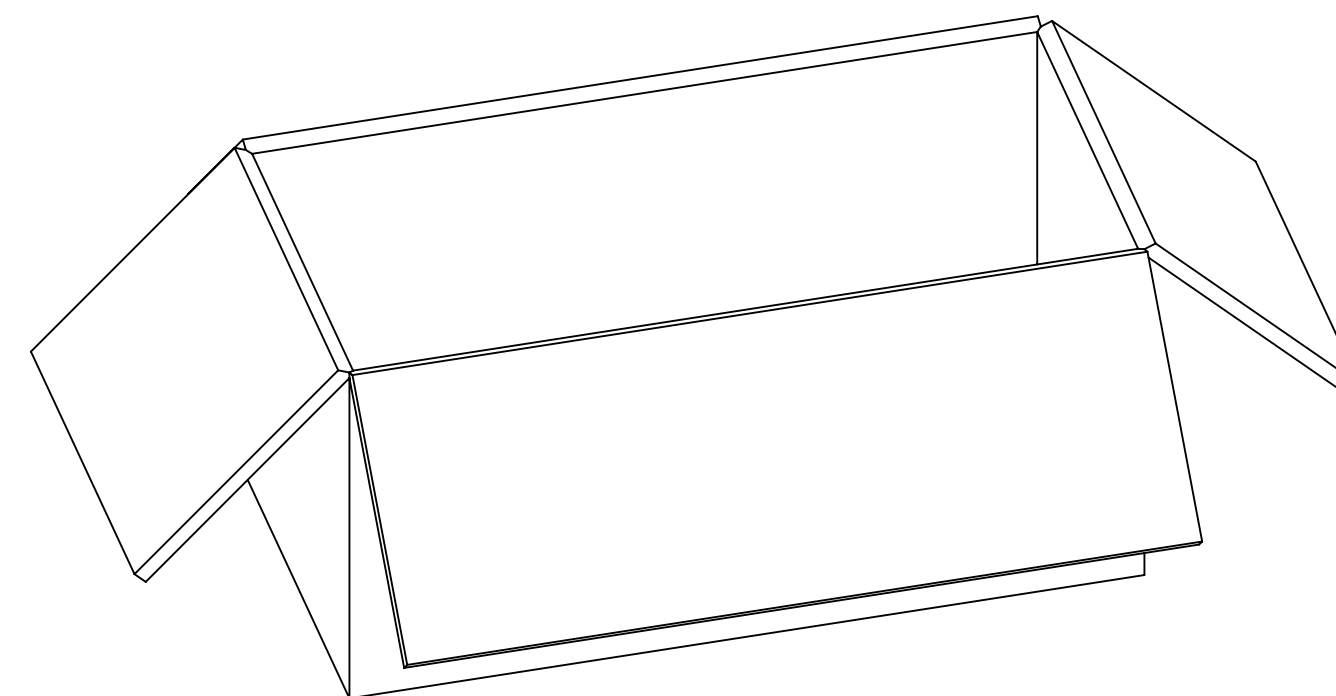
DOCUMENT STATUS	P1	RELEASE DATE	2022/06/23	08:14:27
-----------------	----	--------------	------------	----------



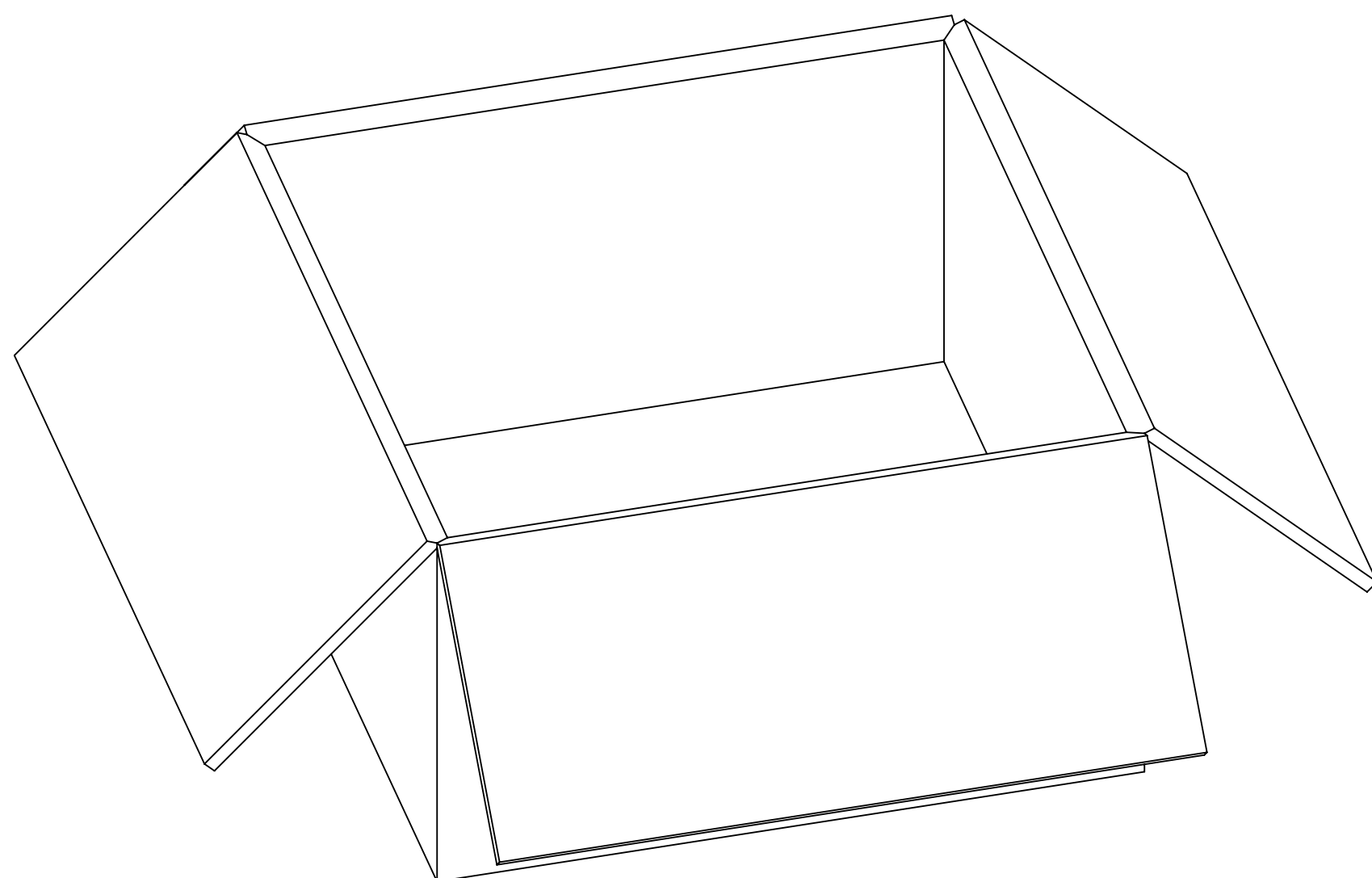
P/N: 73420-5660
OR 73420-5661



54 SETS PER TRAY



540 SETS PER INNER CARTON BOX



1080 SETS PER OUTER CARTON BOX

THIS DRAWING CONTAINS INFORMATION THAT IS PROPRIETARY TO MOLEX ELECTRONIC TECHNOLOGIES, LLC AND SHOULD NOT BE USED WITHOUT WRITTEN PERMISSION

DIMENSION UNITS		SCALE		CURRENT REV DESC: ADD 73420-5661 AND ADD PLATING THICKNESS AND ADD ELECTRICAL CHARACTERISTICS PER EWR #15238-A				molex			
mm		NTS									
GENERAL TOLERANCES (UNLESS SPECIFIED)								SMP-MAX PLUG STR SLIDE TYPE PCB TH SMPMAX-P/PCB			
ANGULAR TOL ± 2.0°				EC NO: 711256				PRODUCT CUSTOMER DRAWING			
4 PLACES ±				DRWN: RYEH 2022/06/01				DOCUMENT NUMBER SD-73420-566 DOC TYPE PSD DOC PART 001 REVISION B			
3 PLACES ±				CHK'D: YCHENG 2022/06/23							
2 PLACES ± 0.13				APPR: YCHENG 2022/06/23							
1 PLACE ± 0.25				INITIAL REVISION:				MATERIAL NUMBER SEE TABLE CUSTOMER GENERAL MARKET SHEET NUMBER 2 OF 2			
0 PLACES ± 0.38				DRWN: RYEH 2015/07/13 APPR: YCHENG 2015/08/25							
DRAFT WHERE APPLICABLE MUST REMAIN WITHIN DIMENSIONS				THIRD ANGLE PROJECTION 		DRAWING C-SIZE		SERIES 73420			

DOCUMENT STATUS	P1	RELEASE DATE	2022/06/23	08:14:27
-----------------	----	--------------	------------	----------