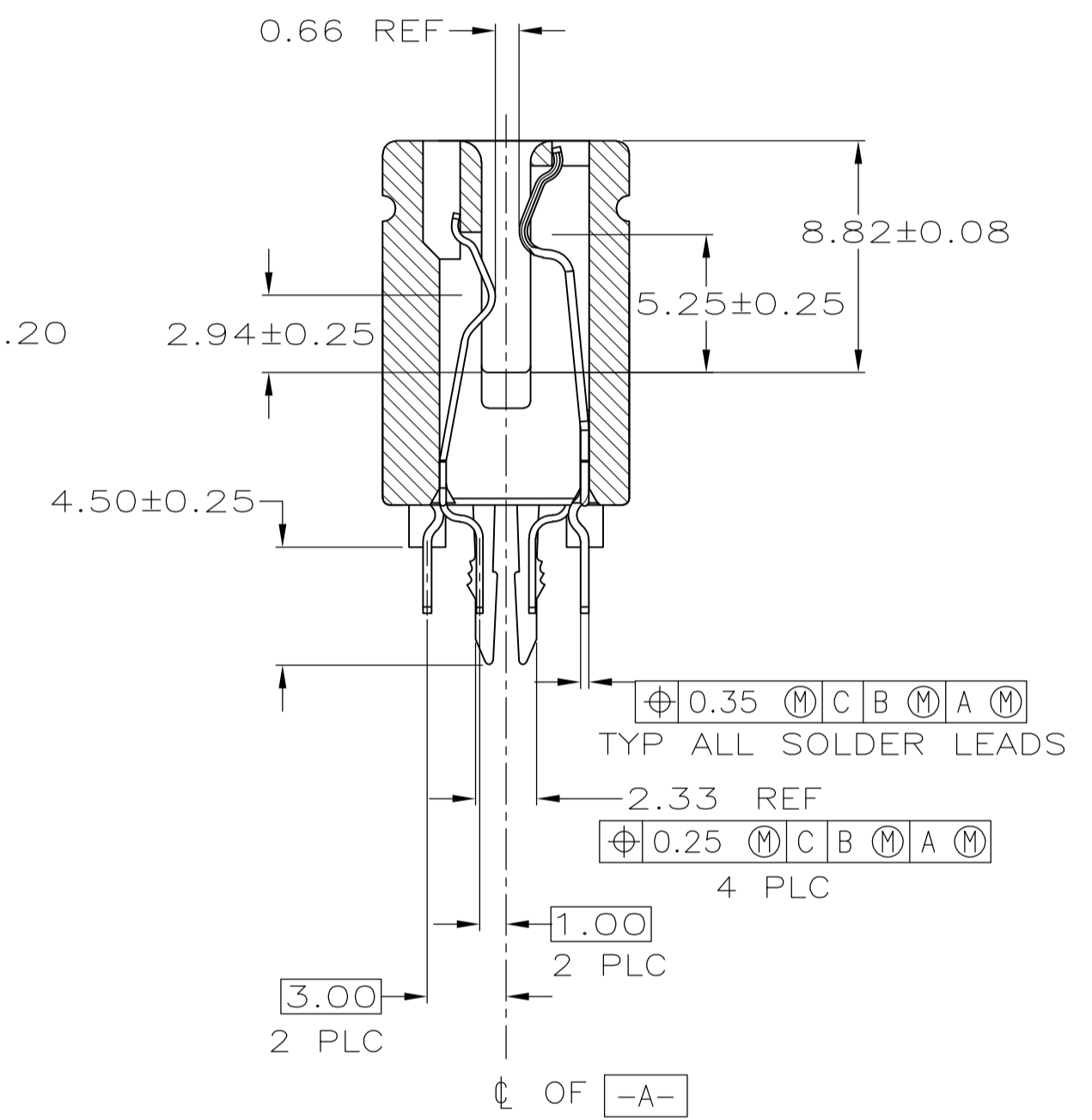
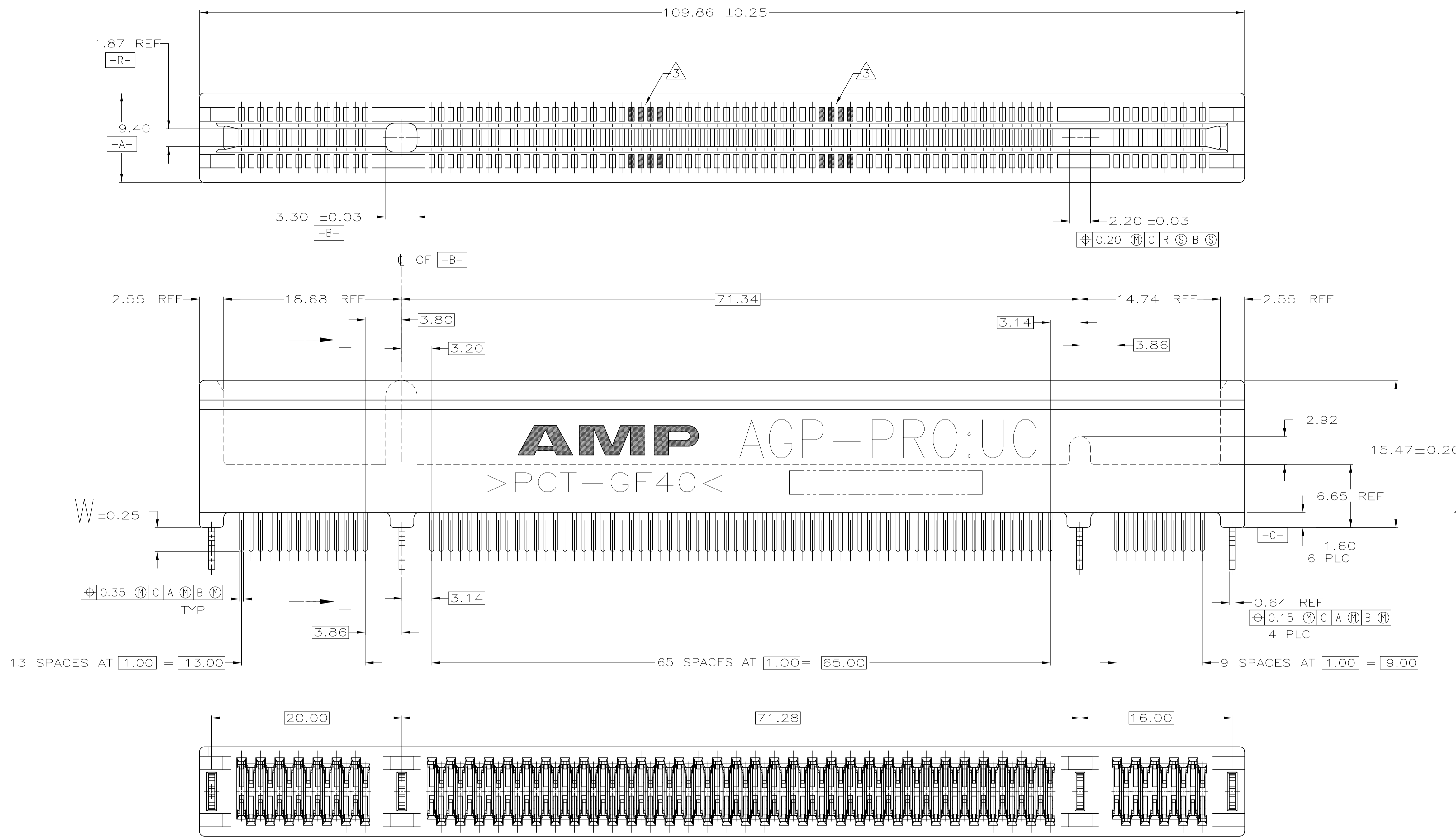


LOC	DIST	REVISIONS					
AD	14	P	LTR	DESCRIPTION	DATE	DWN	APVD
		0		DRAWN	01OCT98	RB	DD
		A		REV PER EC OG51-0294-98	01/20/99	MM	DD
		B		REVISED PER OG51-0025-99	01FEB99	RB	DD
		C		REV PER OG51-0062-99	05/18/99	MM	EL
		C1		REVISED PER ECO-09-020689	31AUG09	KK	AEG
		C2		REVISED PER ECO-09-024465	02NOV09	FL	SY



- △ MATERIAL: HOUSING, THERMOPLASTIC, COLOR: BROWN.
CONTACTS, PHOSPHOR BRONZE.
FASTENERS, BRASS.
- △ FINISH: CONTACTS, 1.27 MIN. MICROMETERS NICKEL ALL OVER,
0.38 MIN. MICROMETERS GOLD OVER NICKEL IN CONTACT AREA,
2.54 MIN MICROMETERS TIN-LEAD OVER NICKEL ON SOLDER LEADS.
- △ SHADED CONTACT LOCATIONS ARE AT RISK OF DAMAGE DURING MATING AND
UNMATING WITH AGP-1X AND AGP-2X/4X CIRCUITS.
- △ FINISH: FASTENERS, 1.27 MIN. MICROMETERS NICKEL ALL OVER,
3.81 MIN MICROMETERS BRIGHT TIN-LEAD OVER NICKEL.
- △ FINISH: CONTACTS, 1.27 MIN. MICROMETERS NICKEL ALL OVER,
0.0254-0.0762 MICROMETERS GOLD OVER NICKEL IN CONTACT AREA.
2.54 MIN. MICROMETERS TIN-LEAD OVER NICKEL ON SOLDER TAILS.
- △ OBSOLETE PARTS: OBSOLETE CIS STREAMLINING PER D.RENAUD/D.SINISI

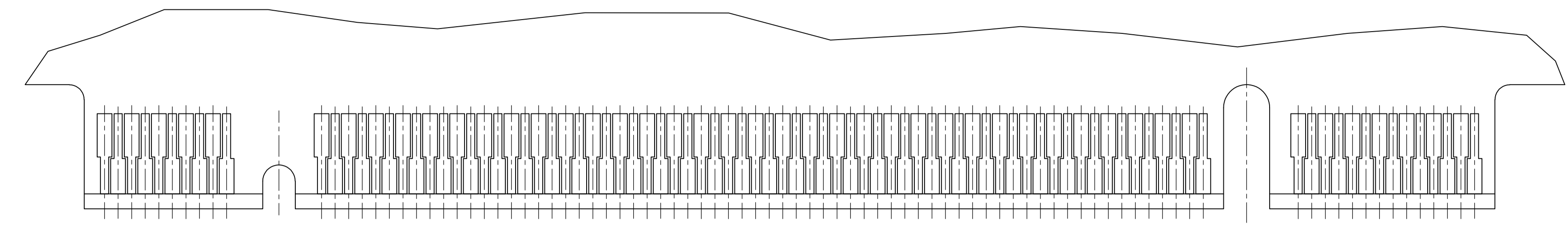
△6 OBSOLETE	△3 △4	3.18	145409-6
	△3 △4	2.54	145409-5
△6 OBSOLETE	△3 △4	3.18	145409-3
	△3 △4	2.54	145409-2
△6 OBSOLETE	△3 △4	2.16	145409-1
	PLATING	W	PART NO

THIS DRAWING IS A CONTROLLED DOCUMENT.

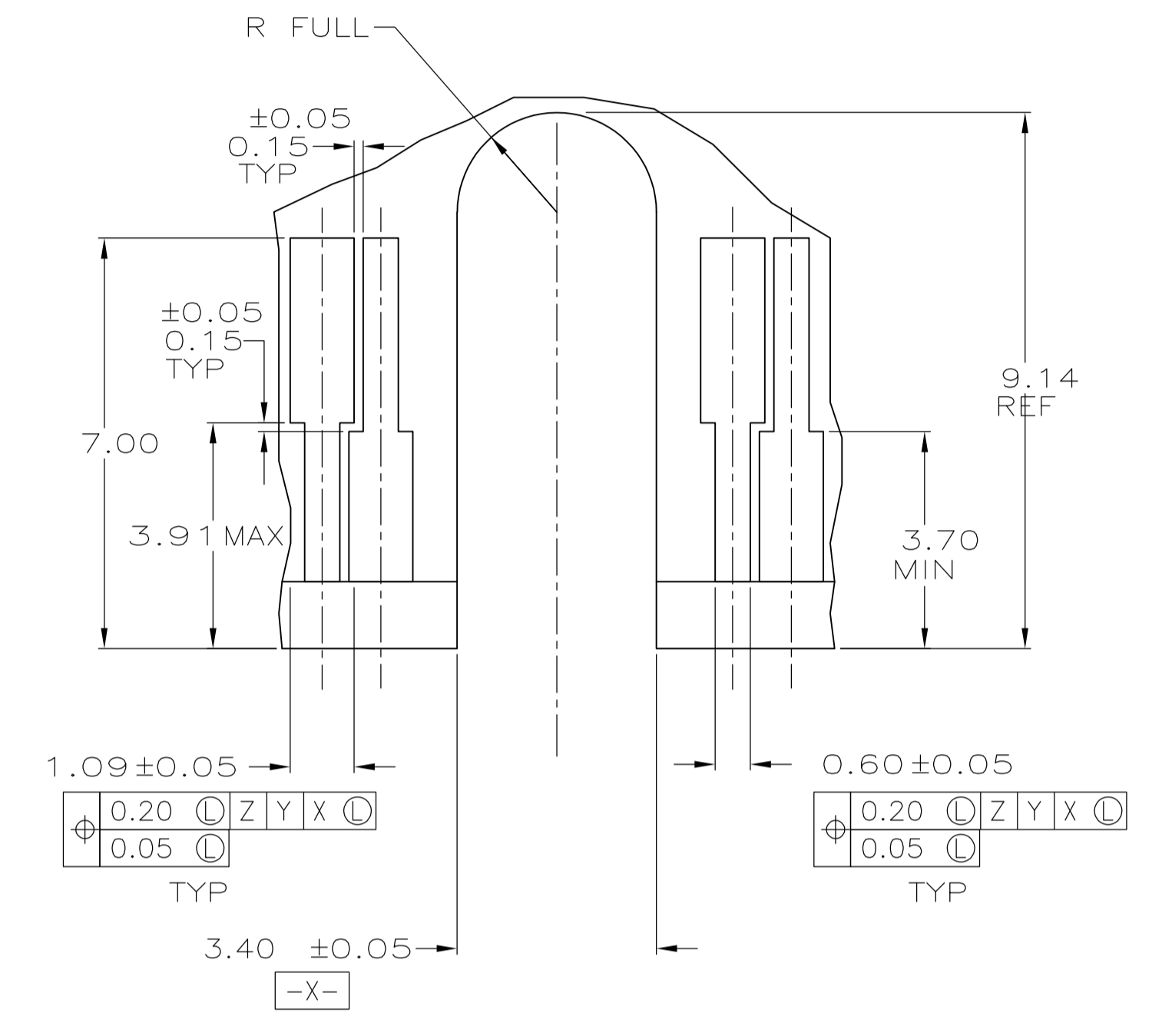
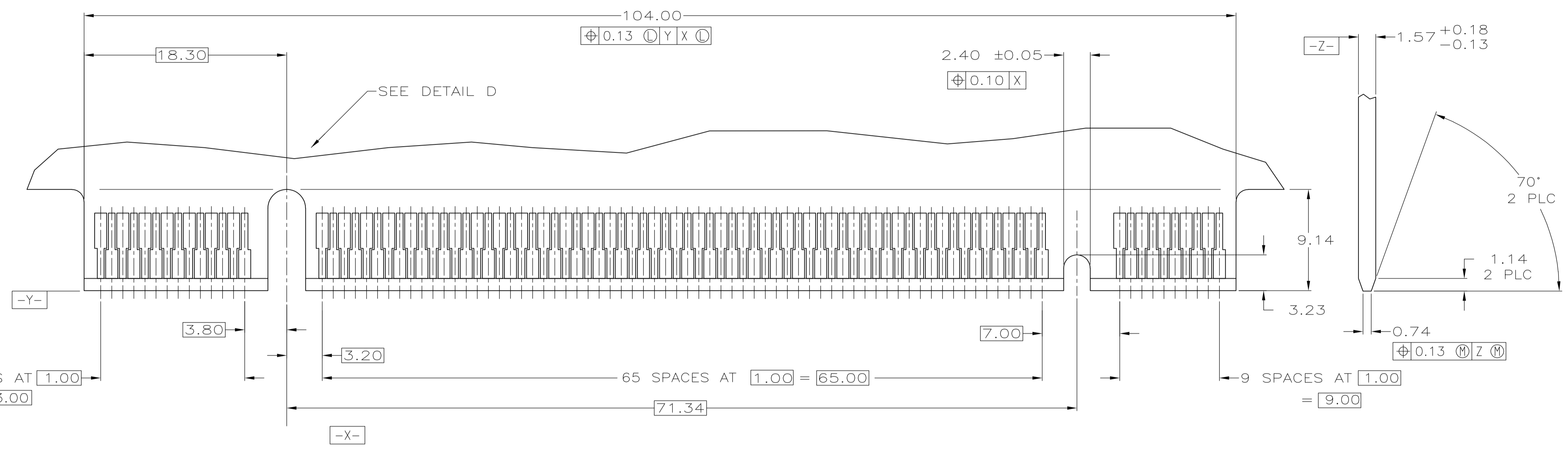
DIMENSIONS:	TOLERANCES UNLESS OTHERWISE SPECIFIED:	DWN Francis Lee 02NOV09	AMP Incorporated Harrisburg, PA 17105-3608
mm	0 PLC ±-	CHK Martin Li 02NOV09	
	1 PLC ±-	APVD Steven Yao 02NOV09	
	2 PLC ±0.13	NAME	CONNECTOR ASSEMBLY, STANDARD EDGE, 1mm, AGP-PRO:UC, 180 POSITION
	3 PLC ±-	PRODUCT SPEC	
	4 PLC ±-	APPLICATION SPEC	
	ANGLES ±°	WEIGHT	
MATERIAL	FINISH	SIZE	CAGE CODE
△	△	A1	00779
		SCALE	4:1
		SHEET	1 of 2
		REV	Q

CUSTOMER DRAWING

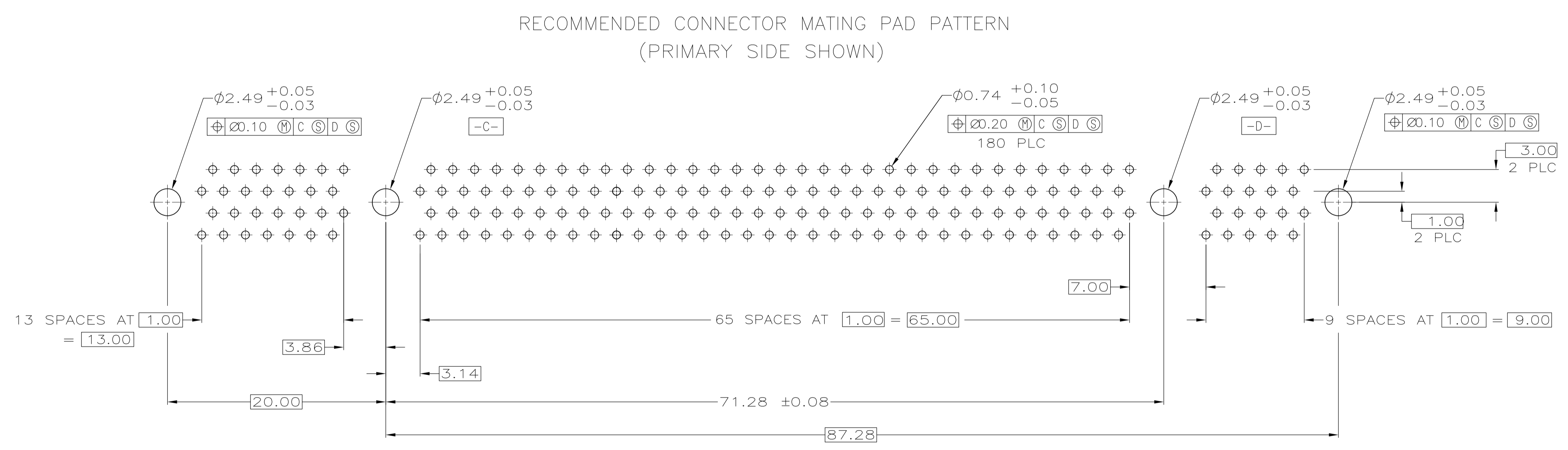
LOC		DIST		REVISIONS			
P	LTR	DATE	DWN	APVD			
C		SEE SHEET 1	-	-	-	-	



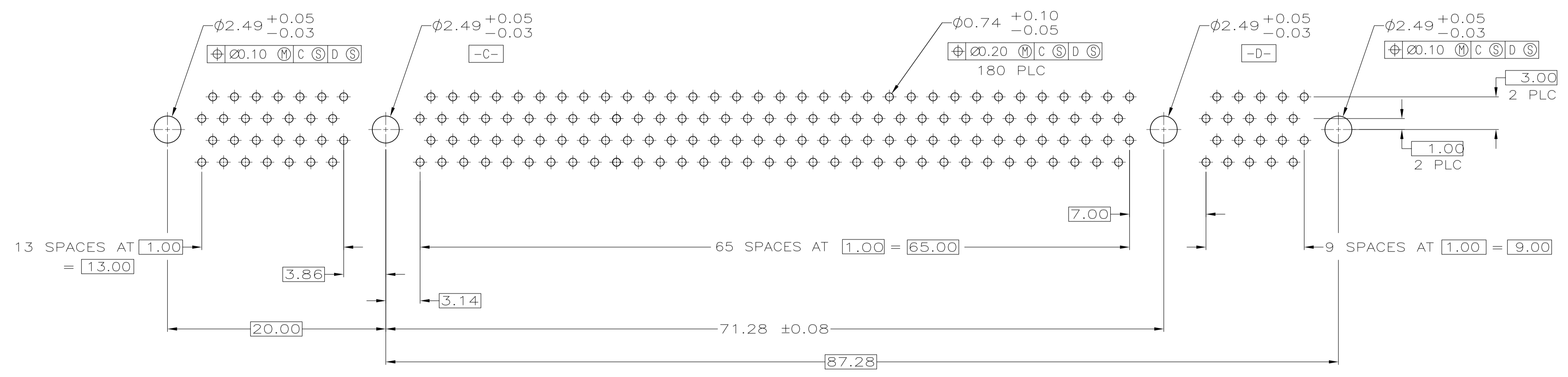
RECOMMENDED CONNECTOR MATING PAD PATTERN
(SECONDARY SIDE SHOWN)



DETAIL D
SCALE 10:1



RECOMMENDED CONNECTOR MATING PAD PATTERN
(PRIMARY SIDE SHOWN)



RECOMMENDED CONNECTOR MOUNTING HOLE PATTERN
(CONNECTOR SIDE SHOWN)

THIS DRAWING IS A CONTROLLED DOCUMENT.		DWN Francis Lee 02NOV09	AMP AMP Incorporated Harrisburg, PA 17105-3608
DIMENSIONS: mm		CHK Martin Li 02NOV09	
TOLERANCES UNLESS OTHERWISE SPECIFIED:		APVD Steven Yao 02NOV09	NAME
0 PLC ±	1 PLC ±	PRODUCT SPEC	CONNECTOR ASSEMBLY, STANDARD EDGE, 1mm, AGP-PRO:UC, 180 POSITION
2 PLC ±0.13	3 PLC ±	APPLICATION SPEC	SIZE A1
4 PLC ±	ANGLES ±2°	WEIGHT -	CAGE CODE 00779
MATERIAL	FINISH	CUSTOMER DRAWING	DRAWING NO C-145409
		SCALE 4:1	SHEET 2 OF 2