

# NCP300, NCP301

## Voltage Detector Series

The NCP300 and NCP301 series are second generation ultra-low current voltage detectors. These devices are specifically designed for use as reset controllers in portable microprocessor based systems where extended battery life is paramount.

Each series features a highly accurate undervoltage detector with hysteresis which prevents erratic system reset operation as the comparator threshold is crossed.

The NCP300 series consists of complementary output devices that are available with either an active high or active low reset output. The NCP301 series has an open drain N-Channel output with either an active high or active low reset output.

The NCP300 and NCP301 device series are available in the Thin TSOP-5 package with standard undervoltage thresholds. Additional thresholds that range from 0.9 V to 4.9 V in 100 mV steps can be manufactured.

### Features

- Quiescent Current of 0.5  $\mu$ A Typical
- High Accuracy Undervoltage Threshold of 2.0%
- Wide Operating Voltage Range of 0.8 V to 10 V
- Complementary or Open Drain Reset Output
- Active Low or Active High Reset Output
- Pb-Free Packages are Available

### Typical Applications

- Microprocessor Reset Controller
- Low Battery Detection
- Power Fail Indicator
- Battery Backup Detection



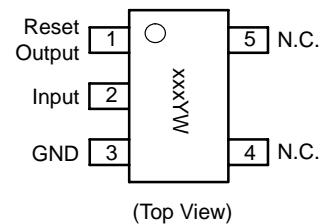
**ON Semiconductor®**

<http://onsemi.com>



**THIN SOT23-5/TSOP-5/SC59-5  
SN SUFFIX  
CASE 483**

### PIN CONNECTIONS AND MARKING DIAGRAM

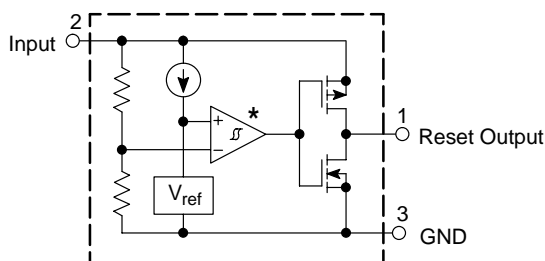


xxx = Specific Device Code  
Y = Year  
W = Work Week

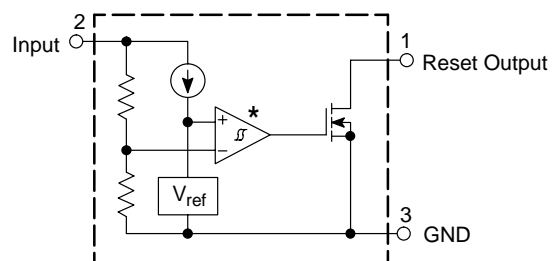
### ORDERING INFORMATION

See detailed ordering and shipping information in the ordering information section on page 20 of this data sheet.

**NCP300xSNxxT1  
Complementary Output Configuration**



**NCP301xSNxxT1  
Open Drain Output Configuration**



\* The representative block diagrams depict active low reset output 'L' suffix devices. The comparator inputs are interchanged for the active high output 'H' suffix devices.

This device contains 25 active transistors.

**Figure 1. Representative Block Diagrams**

# NCP300, NCP301

## MAXIMUM RATINGS

Rating	Symbol	Value	Unit
Input Power Supply Voltage (Pin 2)	$V_{in}$	12	V
Output Voltage (Pin 1) Complementary, NCP300 N-Channel Open Drain, NCP301	$V_{OUT}$	-0.3 to $V_{in} + 0.3$ -0.3 to 12	V
Output Current (Pin 1) (Note 2)	$I_{OUT}$	70	mA
Thermal Resistance Junction-to-Air	$R_{\theta JA}$	250	°C/W
Operating Junction Temperature Range	$T_J$	-40 to +125	°C
Operating Ambient Temperature Range	$T_A$	-40 to +85	°C
Storage Temperature Range	$T_{stg}$	-55 to +150	°C
Moisture Sensitivity Level ( $T_A = 235^\circ\text{C}$ )	MSL	1	
Latchup Performance Positive Negative	$I_{LATCHUP}$	200 200	mA

Maximum ratings are those values beyond which device damage can occur. Maximum ratings applied to the device are individual stress limit values (not normal operating conditions) and are not valid simultaneously. If these limits are exceeded, device functional operation is not implied, damage may occur and reliability may be affected.

- This device series contains ESD protection and exceeds the following tests:  
Human Body Model 2000 V per MIL-STD-883, Method 3015.  
Machine Model Method 200 V.
- The maximum package power dissipation limit must not be exceeded.

$$P_D = \frac{T_{J(max)} - T_A}{R_{\theta JA}}$$

# NCP300, NCP301

## ELECTRICAL CHARACTERISTICS (For all values $T_A = 25^\circ\text{C}$ , unless otherwise noted.)

Characteristic	Symbol	Min	Typ	Max	Unit
<b>NCP300/1 – 0.9</b>					
Detector Threshold (Pin 2, $V_{in}$ Decreasing)	$V_{DET-}$	0.882	0.900	0.918	V
Detector Threshold Hysteresis (Pin 2, $V_{in}$ Increasing)	$V_{HYS}$	0.027	0.045	0.063	V
Supply Current (Pin 2) ( $V_{in} = 0.8\text{ V}$ ) ( $V_{in} = 2.9\text{ V}$ )	$I_{in}$	– –	0.20 0.45	0.6 1.2	$\mu\text{A}$
Maximum Operating Voltage (Pin 2)	$V_{in(max)}$	–	–	10	V
Minimum Operating Voltage (Pin 2) ( $T_A = -40^\circ\text{C}$ to $85^\circ\text{C}$ )	$V_{in(min)}$	– –	0.55 0.65	0.70 0.80	V
Reset Output Current (Pin 1, Active Low 'L' Suffix Devices)  N-Channel Sink Current, NCP300, NCP301 ( $V_{OUT} = 0.05\text{ V}$ , $V_{in} = 0.70\text{ V}$ ) ( $V_{OUT} = 0.50\text{ V}$ , $V_{in} = 0.85\text{ V}$ )  P-Channel Source Current, NCP300 ( $V_{OUT} = 2.4\text{ V}$ , $V_{in} = 4.5\text{ V}$ )	$I_{OUT}$	0.01 0.05 1.0	0.05 0.50 6.0	– – –	mA
Reset Output Current (Pin 1, Active High 'H' Suffix Devices)  N-Channel Sink Current, NCP300, NCP301 ( $V_{OUT} = 0.5\text{ V}$ , $V_{in} = 1.5\text{ V}$ )  P-Channel Source Current, NCP300 ( $V_{OUT} = 0.4\text{ V}$ , $V_{in} = 0.7\text{ V}$ ) ( $V_{OUT} = \text{GND}$ , $V_{in} = 0.8\text{ V}$ )	$I_{OUT}$	1.05 0.011 0.014	2.5 0.04 0.08	– – –	mA
Propagation Delay Input to Output (Figure 2)  Complementary Output NCP300 Series Output Transition, High to Low Output Transition, Low to High  N-Channel Open Drain NCP301 Series Output Transition, High to Low Output Transition, Low to High	$t_{pHL}$ $t_{pLH}$  $t_{pHL}$ $t_{pLH}$	– – – –	97 77 97 –	– 300 – 300	$\mu\text{s}$
<b>NCP300/1 – 1.8</b>					
Detector Threshold (Pin 2, $V_{in}$ Decreasing)	$V_{DET-}$	1.764	1.80	1.836	V
Detector Threshold Hysteresis (Pin 2, $V_{in}$ Increasing)	$V_{HYS}$	0.054	0.090	0.126	V
Supply Current (Pin 2) ( $V_{in} = 1.7\text{ V}$ ) ( $V_{in} = 3.8\text{ V}$ )	$I_{in}$	– –	0.23 0.48	0.7 1.3	$\mu\text{A}$
Maximum Operating Voltage (Pin 2)	$V_{in(max)}$	–	–	10	V
Minimum Operating Voltage (Pin 2) ( $T_A = -40^\circ\text{C}$ to $85^\circ\text{C}$ )	$V_{in(min)}$	– –	0.55 0.65	0.70 0.80	V
Reset Output Current (Pin 1, Active Low 'L' Suffix Devices)  N-Channel Sink Current, NCP300, NCP301 ( $V_{OUT} = 0.05\text{ V}$ , $V_{in} = 0.70\text{ V}$ ) ( $V_{OUT} = 0.50\text{ V}$ , $V_{in} = 1.5\text{ V}$ )  P-Channel Source Current, NCP300 ( $V_{OUT} = 2.4\text{ V}$ , $V_{in} = 4.5\text{ V}$ )	$I_{OUT}$	0.01 1.0 1.0	0.05 2.0 6.0	– – –	mA
Reset Output Current (Pin 1, Active High 'H' Suffix Devices)  N-Channel Sink Current, NCP300, NCP301 ( $V_{OUT} = 0.5\text{ V}$ , $V_{in} = 5.0\text{ V}$ )  P-Channel Source Current, NCP300 ( $V_{OUT} = 0.4\text{ V}$ , $V_{in} = 0.7\text{ V}$ ) ( $V_{OUT} = \text{GND}$ , $V_{in} = 1.5\text{ V}$ )	$I_{OUT}$	6.3 0.011 0.525	11 0.04 0.6	– – –	mA
Propagation Delay Input to Output (Figure 2)					$\mu\text{s}$

# NCP300, NCP301

**ELECTRICAL CHARACTERISTICS (continued)** (For all values  $T_A = 25^\circ\text{C}$ , unless otherwise noted.)

Characteristic	Symbol	Min	Typ	Max	Unit
<b>NCP300/1 – 1.8</b>					
Complementary Output NCP300 Series					
Output Transition, High to Low	$t_{pHL}$	–	73	–	
Output Transition, Low to High	$t_{pLH}$	–	94	300	
N-Channel Open Drain NCP301 Series					
Output Transition, High to Low	$t_{pHL}$	–	73	–	
Output Transition, Low to High	$t_{pLH}$	–	–	300	
<b>NCP300/1 – 2.0</b>					
Detector Threshold (Pin 2, $V_{in}$ Decreasing)	$V_{DET-}$	1.960	2.00	2.040	V
Detector Threshold Hysteresis (Pin 2, $V_{in}$ Increasing)	$V_{HYS}$	0.06	0.10	0.14	V
Supply Current (Pin 2)	$I_{in}$				$\mu\text{A}$
( $V_{in} = 1.9\text{ V}$ )		–	0.23	0.8	
( $V_{in} = 4.0\text{ V}$ )		–	0.48	1.3	
Maximum Operating Voltage (Pin 2)	$V_{in(max)}$	–	–	10	V
Minimum Operating Voltage (Pin 2)	$V_{in(min)}$	–	0.55	0.70	V
( $T_A = -40^\circ\text{C}$ to $85^\circ\text{C}$ )		–	0.65	0.80	
Reset Output Current (Pin 1, Active Low 'L' Suffix Devices)	$I_{OUT}$				mA
N-Channel Sink Current, NCP300, NCP301					
( $V_{OUT} = 0.05\text{V}$ , $V_{in} = 0.70\text{V}$ )		0.01	0.05	–	
( $V_{OUT} = 0.50\text{V}$ , $V_{in} = 1.5\text{V}$ )		1.0	2.0	–	
P-Channel Source Current, NCP300					
( $V_{OUT} = 2.4\text{V}$ , $V_{in} = 4.5\text{V}$ )		1.0	6.0	–	
Reset Output Current (Pin 1, Active High 'H' Suffix Devices)	$I_{OUT}$				mA
N-Channel Sink Current, NCP300, NCP301					
( $V_{OUT} = 0.5\text{ V}$ , $V_{in} = 5.0\text{ V}$ )		6.3	11	–	
P-Channel Source Current, NCP300					
( $V_{OUT} = 0.4\text{ V}$ , $V_{in} = 0.7\text{ V}$ )		0.011	0.04	–	
( $V_{OUT} = \text{GND}$ , $V_{in} = 1.5\text{ V}$ )		0.525	0.6	–	
Propagation Delay Input to Output (Figure 2)					$\mu\text{s}$
Complementary Output NCP300 Series					
Output Transition, High to Low	$t_{pHL}$	–	55	–	
Output Transition, Low to High	$t_{pLH}$	–	108	300	
N-Channel Open Drain NCP301 Series					
Output Transition, High to Low	$t_{pHL}$	–	55	–	
Output Transition, Low to High	$t_{pLH}$	–	–	300	
<b>NCP300/1 – 2.7</b>					
Detector Threshold (Pin 2, $V_{in}$ Decreasing)	$V_{DET-}$	2.646	2.700	2.754	V
Detector Threshold Hysteresis (Pin 2, $V_{in}$ Increasing)	$V_{HYS}$	0.081	0.135	0.189	V
Supply Current (Pin 2)	$I_{in}$				$\mu\text{A}$
( $V_{in} = 2.6\text{ V}$ )		–	0.26	0.8	
( $V_{in} = 4.7\text{ V}$ )		–	0.46	1.3	
Maximum Operating Voltage (Pin 2)	$V_{in(max)}$	–	–	10	V
Minimum Operating Voltage (Pin 2)	$V_{in(min)}$	–	0.55	0.70	V
( $T_A = -40^\circ\text{C}$ to $85^\circ\text{C}$ )		–	0.65	0.80	
Reset Output Current (Pin 1, Active Low 'L' Suffix Devices)	$I_{OUT}$				mA
N-Channel Sink Current, NCP300, NCP301					
( $V_{OUT} = 0.05\text{V}$ , $V_{in} = 0.70\text{V}$ )		0.01	0.05	–	
( $V_{OUT} = 0.50\text{V}$ , $V_{in} = 1.5\text{V}$ )		1.0	2.0	–	
P-Channel Source Current, NCP300					
( $V_{OUT} = 2.4\text{V}$ , $V_{in} = 4.5\text{V}$ )		1.0	6.0	–	

# NCP300, NCP301

## ELECTRICAL CHARACTERISTICS (continued) (For all values $T_A = 25^\circ\text{C}$ , unless otherwise noted.)

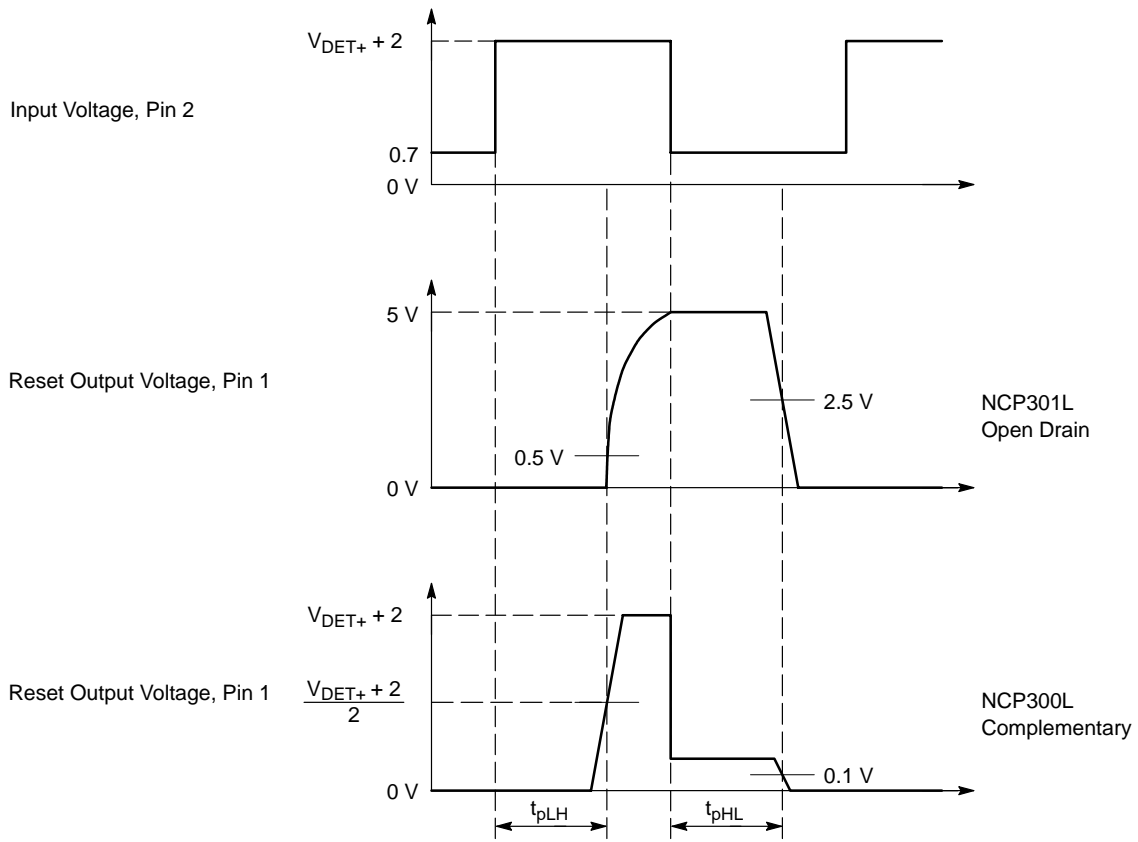
Characteristic	Symbol	Min	Typ	Max	Unit
<b>NCP300/1 – 2.7</b>					
Reset Output Current (Pin 1, Active High 'H' Suffix Devices)	$I_{OUT}$				mA
N-Channel Sink Current, NCP300, NCP301 ( $V_{OUT} = 0.5\text{ V}$ , $V_{in} = 5.0\text{ V}$ )		6.3	11	–	
P-Channel Source Current, NCP300 ( $V_{OUT} = 0.4\text{ V}$ , $V_{in} = 0.7\text{ V}$ ) ( $V_{OUT} = \text{GND}$ , $V_{in} = 1.5\text{ V}$ )		0.011 0.525	0.04 0.6	– –	
Propagation Delay Input to Output (Figure 2)					$\mu\text{s}$
Complementary Output NCP300 Series Output Transition, High to Low Output Transition, Low to High	$t_{pHL}$ $t_{pLH}$	– –	55 115	– 300	
N-Channel Open Drain NCP301 Series Output Transition, High to Low Output Transition, Low to High	$t_{pHL}$ $t_{pLH}$	– –	55 –	– 300	
<b>NCP300/1 – 3.0</b>					
Detector Threshold (Pin 2, $V_{in}$ Decreasing)	$V_{DET-}$	2.94	3.00	3.06	V
Detector Threshold Hysteresis (Pin 2, $V_{in}$ Increasing)	$V_{HYS}$	0.09	0.15	0.21	V
Supply Current (Pin 2) ( $V_{in} = 2.87\text{ V}$ ) ( $V_{in} = 5.0\text{ V}$ )	$I_{in}$	– –	0.27 0.47	0.9 1.3	$\mu\text{A}$
Maximum Operating Voltage (Pin 2)	$V_{in(max)}$	–	–	10	V
Minimum Operating Voltage (Pin 2) ( $T_A = -40^\circ\text{C}$ to $85^\circ\text{C}$ )	$V_{in(min)}$	–	0.55 0.65	0.70 0.80	V
Reset Output Current (Pin 1, Active Low 'L' Suffix Devices)	$I_{OUT}$				mA
N-Channel Sink Current, NCP300, NCP301 ( $V_{OUT} = 0.05\text{ V}$ , $V_{in} = 0.70\text{ V}$ ) ( $V_{OUT} = 0.50\text{ V}$ , $V_{in} = 1.5\text{ V}$ )		0.01 1.0	0.05 2.0	– –	
P-Channel Source Current, NCP300 ( $V_{OUT} = 2.4\text{ V}$ , $V_{in} = 4.5\text{ V}$ )		1.0	6.0	–	
Reset Output Current (Pin 1, Active High 'H' Suffix Devices)	$I_{OUT}$				mA
N-Channel Sink Current, NCP300, NCP301 ( $V_{OUT} = 0.5\text{ V}$ , $V_{in} = 5.0\text{ V}$ )		6.3	11	–	
P-Channel Source Current, NCP300 ( $V_{OUT} = 0.4\text{ V}$ , $V_{in} = 0.7\text{ V}$ ) ( $V_{OUT} = \text{GND}$ , $V_{in} = 1.5\text{ V}$ )		0.011 0.525	0.04 0.6	– –	
Propagation Delay Input to Output (Figure 2)					$\mu\text{s}$
Complementary Output NCP300 Series Output Transition, High to Low Output Transition, Low to High	$t_{pHL}$ $t_{pLH}$	– –	49 115	– 300	
N-Channel Open Drain NCP301 Series Output Transition, High to Low Output Transition, Low to High	$t_{pHL}$ $t_{pLH}$	– –	49 –	– 300	
<b>NCP300/1 – 4.5</b>					
Detector Threshold (Pin 2, $V_{in}$ Decreasing)	$V_{DET-}$	4.410	4.500	4.590	V
Detector Threshold Hysteresis (Pin 2, $V_{in}$ Increasing)	$V_{HYS}$	0.135	0.225	0.315	V
Supply Current (Pin 2) ( $V_{in} = 4.34\text{ V}$ ) ( $V_{in} = 6.5\text{ V}$ )	$I_{in}$	– –	0.33 0.52	1.0 1.4	$\mu\text{A}$
Maximum Operating Voltage (Pin 2)	$V_{in(max)}$	–	–	10	V

# NCP300, NCP301

## ELECTRICAL CHARACTERISTICS (continued) (For all values $T_A = 25^\circ\text{C}$ , unless otherwise noted.)

Characteristic	Symbol	Min	Typ	Max	Unit
<b>NCP300/1 – 4.5</b>					
Minimum Operating Voltage (Pin 2) ( $T_A = -40^\circ\text{C}$ to $85^\circ\text{C}$ )	$V_{in(min)}$	– –	0.55 0.65	0.70 0.80	V
Reset Output Current (Pin 1, Active Low 'L' Suffix Devices) N-Channel Sink Current, NCP300, NCP301 ( $V_{OUT} = 0.05\text{V}$ , $V_{in} = 0.70\text{V}$ ) ( $V_{OUT} = 0.50\text{V}$ , $V_{in} = 1.5\text{V}$ ) P-Channel Source Current, NCP300 ( $V_{OUT} = 5.9\text{V}$ , $V_{in} = 8.0\text{V}$ )	$I_{OUT}$	0.01 1.0 1.5	0.05 2.0 10.5	– – –	mA
Reset Output Current (Pin 1, Active High 'H' Suffix Devices) N-Channel Sink Current, NCP300, NCP301 ( $V_{OUT} = 0.5\text{ V}$ , $V_{in} = 5.0\text{ V}$ ) P-Channel Source Current, NCP300 ( $V_{OUT} = 0.4\text{ V}$ , $V_{in} = 0.7\text{ V}$ ) ( $V_{OUT} = \text{GND}$ , $V_{in} = 1.5\text{ V}$ )	$I_{OUT}$	6.3 0.011 0.525	11 0.04 0.6	– – –	mA
Propagation Delay Input to Output (Figure 2) Complementary Output NCP300 Series Output Transition, High to Low Output Transition, Low to High N-Channel Open Drain NCP301 Series Output Transition, High to Low Output Transition, Low to High	$t_{pHL}$ $t_{pLH}$ $t_{pHL}$ $t_{pLH}$	– – – –	49 130 49 –	– 300 – 300	$\mu\text{s}$
<b>NCP300/1 – 4.7</b>					
Detector Threshold (Pin 2, $V_{in}$ Decreasing)	$V_{DET-}$	4.606	4.70	4.794	V
Detector Threshold Hysteresis (Pin 2, $V_{in}$ Increasing)	$V_{HYS}$	0.141	0.235	0.329	V
Supply Current (Pin 2) ( $V_{in} = 4.54\text{ V}$ ) ( $V_{in} = 6.7\text{ V}$ )	$I_{in}$	– –	0.34 0.53	1.0 1.4	$\mu\text{A}$
Maximum Operating Voltage (Pin 2)	$V_{in(max)}$	–	–	10	V
Minimum Operating Voltage (Pin 2) ( $T_A = -40^\circ\text{C}$ to $85^\circ\text{C}$ )	$V_{in(min)}$	– –	0.55 0.65	0.70 0.80	V
Reset Output Current (Pin 1, Active Low 'L' Suffix Devices) N-Channel Sink Current, NCP300, NCP301 ( $V_{OUT} = 0.05\text{V}$ , $V_{in} = 0.70\text{V}$ ) ( $V_{OUT} = 0.50\text{V}$ , $V_{in} = 1.5\text{V}$ ) P-Channel Source Current, NCP300 ( $V_{OUT} = 5.9\text{V}$ , $V_{in} = 8.0\text{V}$ )	$I_{OUT}$	0.01 1.0 1.5	0.05 2.0 10.5	– – –	mA
Reset Output Current (Pin 1, Active High 'H' Suffix Devices) N-Channel Sink Current, NCP300, NCP301 ( $V_{OUT} = 0.5\text{ V}$ , $V_{in} = 5.0\text{ V}$ ) P-Channel Source Current, NCP300 ( $V_{OUT} = 0.4\text{ V}$ , $V_{in} = 0.7\text{ V}$ ) ( $V_{OUT} = \text{GND}$ , $V_{in} = 1.5\text{ V}$ )	$I_{OUT}$	6.3 0.011 0.525	11 0.04 0.6	– – –	mA
Propagation Delay Input to Output (Figure 2) Complementary Output NCP300 Series Output Transition, High to Low Output Transition, Low to High N-Channel Open Drain NCP301 Series Output Transition, High to Low Output Transition, Low to High	$t_{pHL}$ $t_{pLH}$ $t_{pHL}$ $t_{pLH}$	– – – –	45 130 45 –	– 300 – 300	$\mu\text{s}$

## NCP300, NCP301



NCP300 and NCP301 series are measured with a 10 pF capacitive load. NCP301 has an additional 470 k pull-up resistor connected from the reset output to +5.0 V. The reset output voltage waveforms are shown for the active low 'L' devices. The upper detector threshold,  $V_{DET+}$  is the sum of the lower detector threshold,  $V_{DET-}$  plus the input hysteresis,  $V_{HYS}$ .

**Figure 2. Propagation Delay Measurement Conditions**

# NCP300, NCP301

**Table 1. ELECTRICAL CHARACTERISTIC TABLE FOR 0.9 – 4.9 V**

NCP300 Series	Detector Threshold			Detector Threshold Hysteresis			Supply Current		Nch Sink Current		Pch Source Current
							V <sub>in</sub> Low	V <sub>in</sub> High	V <sub>in</sub> Low	V <sub>in</sub> High	
Part Number	V <sub>DET-</sub> (V)			V <sub>HYS</sub> (V)			I <sub>in</sub> (μA) (Note 3)	I <sub>in</sub> (μA) (Note 4)	I <sub>OUT</sub> (mA) (Note 5)	I <sub>OUT</sub> (mA) (Note 6)	I <sub>OUT</sub> (mA) (Note 7)
	Min	Typ	Max	Min	Typ	Max	Typ	Typ	Typ	Typ	Typ
NCP300LSN09T1	0.882	0.9	0.918	0.027	0.045	0.063	0.3	0.5	0.05	0.5	2.0
NCP300LSN10T1	0.980	1.0	1.020	0.030	0.050	0.070					
NCP300LSN11T1	1.078	1.1	1.122	0.033	0.055	0.077					
NCP300LSN12T1	1.176	1.2	1.224	0.036	0.060	0.084					
NCP300LSN13T1	1.274	1.3	1.326	0.039	0.065	0.091					
NCP300LSN14T1	1.372	1.4	1.428	0.042	0.070	0.098					
NCP300LSN15T1	1.470	1.5	1.530	0.045	0.075	0.105					
NCP300LSN16T1	1.568	1.6	1.632	0.048	0.080	0.112					
NCP300LSN17T1	1.666	1.7	1.734	0.051	0.085	0.119					
NCP300LSN18T1	1.764	1.8	1.836	0.054	0.090	0.126					
NCP300LSN185T1	1.813	1.85	1.887	0.056	0.093	0.130					
NCP300LSN19T1	1.862	1.9	1.938	0.057	0.095	0.133					
NCP300LSN20T1	1.960	2.0	2.040	0.060	0.100	0.140					
NCP300LSN21T1	2.058	2.1	2.142	0.063	0.105	0.147					
NCP300LSN22T1	2.156	2.2	2.244	0.066	0.110	0.154					
NCP300LSN23T1	2.254	2.3	2.346	0.069	0.115	0.161					
NCP300LSN24T1	2.352	2.4	2.448	0.072	0.120	0.168					
NCP300LSN25T1	2.450	2.5	2.550	0.075	0.125	0.175					
NCP300LSN26T1	2.548	2.6	2.652	0.078	0.130	0.182					
NCP300LSN27T1	2.646	2.7	2.754	0.081	0.135	0.189					
NCP300LSN28T1	2.744	2.8	2.856	0.084	0.140	0.196					
NCP300LSN29T1	2.842	2.9	2.958	0.087	0.145	0.203					
NCP300LSN30T1	2.940	3.0	3.060	0.090	0.150	0.210					
NCP300LSN31T1	3.038	3.1	3.162	0.093	0.155	0.217					
NCP300LSN32T1	3.136	3.2	3.264	0.096	0.160	0.224					
NCP300LSN33T1	3.234	3.3	3.366	0.099	0.165	0.231					
NCP300LSN34T1	3.332	3.4	3.468	0.102	0.170	0.238					
NCP300LSN35T1	3.430	3.5	3.570	0.105	0.175	0.245					
NCP300LSN36T1	3.528	3.6	3.672	0.108	0.180	0.252					
NCP300LSN37T1	3.626	3.7	3.774	0.111	0.185	0.259					
NCP300LSN38T1	3.724	3.8	3.876	0.114	0.190	0.266					
NCP300LSN39T1	3.822	3.9	3.978	0.117	0.195	0.273					
NCP300LSN40T1	3.920	4.0	4.080	0.120	0.200	0.280	0.4	0.6	0.05	0.5	3.0
NCP300LSN41T1	4.018	4.1	4.182	0.123	0.205	0.287					
NCP300LSN42T1	4.116	4.2	4.284	0.126	0.210	0.294					
NCP300LSN43T1	4.214	4.3	4.386	0.129	0.215	0.301					
NCP300LSN44T1	4.312	4.4	4.488	0.132	0.220	0.308					
NCP300LSN45T1	4.410	4.5	4.590	0.135	0.225	0.315					
NCP300LSN46T1	4.508	4.6	4.692	0.138	0.230	0.322					
NCP300LSN47T1	4.606	4.7	4.794	0.141	0.235	0.329					
NCP300LSN48T1	4.704	4.8	4.896	0.144	0.240	0.336					
NCP300LSN49T1	4.802	4.9	4.998	0.147	0.245	0.343					

3. Condition 1: 0.9 – 2.9 V, V<sub>in</sub> = V<sub>DET-</sub> – 0.10 V; 3.0 – 3.9 V, V<sub>in</sub> = V<sub>DET-</sub> – 0.13 V; 4.0 – 4.9 V, V<sub>in</sub> = V<sub>DET-</sub> – 0.16 V

4. Condition 2: 0.9 – 4.9 V, V<sub>in</sub> = V<sub>DET-</sub> + 2.0 V

5. Condition 3: 0.9 – 4.9 V, V<sub>in</sub> = 0.7 V, V<sub>OUT</sub> = 0.05 V, Active Low 'L' Suffix Devices

6. Condition 4: 0.9 – 1.0 V, V<sub>in</sub> = 0.85 V, V<sub>OUT</sub> = 0.5 V; 1.1 – 1.5 V, V<sub>in</sub> = 1.0 V, V<sub>OUT</sub> = 0.5 V; 1.6 – 4.9 V, V<sub>in</sub> = 1.5 V, V<sub>OUT</sub> = 0.5 V, Active Low 'L' Suffix Devices

7. Condition 5: 0.9 – 3.9 V, V<sub>in</sub> = 4.5 V, V<sub>OUT</sub> = 2.4 V; 4.0 – 4.9 V, V<sub>in</sub> = 8.0 V, V<sub>OUT</sub> = 5.9 V, Active Low 'L' Suffix Devices



# NCP300, NCP301

**Table 2. ELECTRICAL CHARACTERISTIC TABLE FOR 0.9 – 4.9 V**

NCP300 Series	Detector Threshold			Detector Threshold Hysteresis			Supply Current		Nch Sink Current	Pch Source Current		
							V <sub>in</sub> Low	V <sub>in</sub> High		V <sub>in</sub> Low	V <sub>in</sub> High	
Part Number	V <sub>DET-</sub> (V)			V <sub>HYS</sub> (V)			I <sub>in</sub> (μA) (Note 8)	I <sub>in</sub> (μA) (Note 9)	I <sub>OUT</sub> (mA) (Note 10)	I <sub>OUT</sub> (mA) (Note 11)	I <sub>OUT</sub> (mA) (Note 12)	
	Min	Typ	Max	Min	Typ	Max	Typ	Typ	Typ	Typ	Typ	
NCP300HSN09T1	0.882	0.9	0.918	0.027	0.045	0.063	0.3	0.5	2.5	0.04	0.08	
NCP300HSN10T1	0.980	1.0	1.020	0.030	0.050	0.070						
NCP300HSN11T1	1.078	1.1	1.122	0.033	0.055	0.077						
NCP300HSN12T1	1.176	1.2	1.224	0.036	0.060	0.084						
NCP300HSN13T1	1.274	1.3	1.326	0.039	0.065	0.091						
NCP300HSN14T1	1.372	1.4	1.428	0.042	0.070	0.098						
NCP300HSN15T1	1.470	1.5	1.530	0.045	0.075	0.105						
NCP300HSN16T1	1.568	1.6	1.632	0.048	0.080	0.112						
NCP300HSN17T1	1.666	1.7	1.734	0.051	0.085	0.119						
NCP300HSN18T1	1.764	1.8	1.836	0.054	0.090	0.126						
NCP300HSN19T1	1.862	1.9	1.938	0.057	0.095	0.133						
NCP300HSN20T1	1.960	2.0	2.040	0.060	0.100	0.140						
NCP300HSN21T1	2.058	2.1	2.142	0.063	0.105	0.147						
NCP300HSN22T1	2.156	2.2	2.244	0.066	0.110	0.154						
NCP300HSN23T1	2.254	2.3	2.346	0.069	0.115	0.161						
NCP300HSN24T1	2.352	2.4	2.448	0.072	0.120	0.168						
NCP300HSN25T1	2.450	2.5	2.550	0.075	0.125	0.175						
NCP300HSN26T1	2.548	2.6	2.652	0.078	0.130	0.182						
NCP300HSN27T1	2.646	2.7	2.754	0.081	0.135	0.189						
NCP300HSN28T1	2.744	2.8	2.856	0.084	0.140	0.196						
NCP300HSN29T1	2.842	2.9	2.958	0.087	0.145	0.203						
NCP300HSN30T1	2.940	3.0	3.060	0.090	0.150	0.210						
NCP300HSN31T1	3.038	3.1	3.162	0.093	0.155	0.217						
NCP300HSN32T1	3.136	3.2	3.264	0.096	0.160	0.224						
NCP300HSN33T1	3.234	3.3	3.366	0.099	0.165	0.231						
NCP300HSN34T1	3.332	3.4	3.468	0.102	0.170	0.238						
NCP300HSN35T1	3.430	3.5	3.570	0.105	0.175	0.245						
NCP300HSN36T1	3.528	3.6	3.672	0.108	0.180	0.252						
NCP300HSN37T1	3.626	3.7	3.774	0.111	0.185	0.259						
NCP300HSN38T1	3.724	3.8	3.876	0.114	0.190	0.266						
NCP300HSN39T1	3.822	3.9	3.978	0.117	0.195	0.273						
NCP300HSN40T1	3.920	4.0	4.080	0.120	0.200	0.280			0.4	0.6	11	0.6
NCP300HSN41T1	4.018	4.1	4.182	0.123	0.205	0.287						
NCP300HSN42T1	4.116	4.2	4.284	0.126	0.210	0.294						
NCP300HSN43T1	4.214	4.3	4.386	0.129	0.215	0.301						
NCP300HSN44T1	4.312	4.4	4.488	0.132	0.220	0.308						
NCP300HSN45T1	4.410	4.5	4.590	0.135	0.225	0.315						
NCP300HSN46T1	4.508	4.6	4.692	0.138	0.230	0.322						
NCP300HSN47T1	4.606	4.7	4.794	0.141	0.235	0.329						
NCP300HSN48T1	4.704	4.8	4.896	0.144	0.240	0.336						
NCP300HSN49T1	4.802	4.9	4.998	0.147	0.245	0.343						

8. Condition 1: 0.9 – 2.9 V, V<sub>in</sub> = V<sub>DET-</sub> – 0.10 V; 3.0 – 3.9 V, V<sub>in</sub> = V<sub>DET-</sub> – 0.13 V; 4.0 – 4.9 V, V<sub>in</sub> = V<sub>DET-</sub> – 0.16 V  
 9. Condition 2: 0.9 – 4.9 V, V<sub>in</sub> = V<sub>DET-</sub> + 2.0 V  
 10. Condition 3: 0.9 – 1.4 V, V<sub>in</sub> = 1.5 V, V<sub>OUT</sub> = 0.5 V; 1.5 – 4.9 V, V<sub>in</sub> = 5.0 V, V<sub>OUT</sub> = 0.5 V, Active High 'H' Suffix Devices  
 11. Condition 4: 0.9 – 4.9 V, V<sub>in</sub> = 0.7 V, V<sub>OUT</sub> = 0.4 V, Active High 'H' Suffix Devices  
 12. Condition 5: 0.9 – 1.0 V, V<sub>in</sub> = 0.8 V, V<sub>OUT</sub> = GND; 1.1 – 1.5 V, V<sub>in</sub> = 1.0 V, V<sub>OUT</sub> = GND; 1.6 – 4.9 V, V<sub>in</sub> = 1.5 V, V<sub>OUT</sub> = GND, Active High 'H' Suffix Devices

# NCP300, NCP301

**Table 3. ELECTRICAL CHARACTERISTIC TABLE FOR 0.9 – 4.9 V**

NCP301 Series	Detector Threshold			Detector Threshold Hysteresis			Supply Current		Nch Sink Current	
							V <sub>in</sub> Low	V <sub>in</sub> High	V <sub>in</sub> Low	V <sub>in</sub> High
Part Number	V <sub>DET-</sub> (V)			V <sub>HYS</sub> (V)			I <sub>in</sub> (μA) (Note 13)	I <sub>in</sub> (μA) (Note 14)	I <sub>OUT</sub> (mA) (Note 15)	I <sub>OUT</sub> (mA) (Note 16)
	Min	Typ	Max	Min	Typ	Max	Typ	Typ	Typ	Typ
NCP301LSN09T1	0.882	0.9	0.918	0.027	0.045	0.063	0.3	0.5	0.05	0.5
NCP301LSN10T1	0.980	1.0	1.020	0.030	0.050	0.070				
NCP301LSN11T1	1.078	1.1	1.122	0.033	0.055	0.077				
NCP301LSN12T1	1.176	1.2	1.224	0.036	0.060	0.084				
NCP301LSN13T1	1.274	1.3	1.326	0.039	0.065	0.091				
NCP301LSN14T1	1.372	1.4	1.428	0.042	0.070	0.098				
NCP301LSN15T1	1.470	1.5	1.530	0.045	0.075	0.105				
NCP301LSN16T1	1.568	1.6	1.632	0.048	0.080	0.112				
NCP301LSN17T1	1.666	1.7	1.734	0.051	0.085	0.119				
NCP301LSN18T1	1.764	1.8	1.836	0.054	0.090	0.126				
NCP301LSN19T1	1.862	1.9	1.938	0.057	0.095	0.133				
NCP301LSN20T1	1.960	2.0	2.040	0.060	0.100	0.140				
NCP301LSN21T1	2.058	2.1	2.142	0.063	0.105	0.147				
NCP301LSN22T1	2.156	2.2	2.244	0.066	0.110	0.154				
NCP301LSN23T1	2.254	2.3	2.346	0.069	0.115	0.161				
NCP301LSN24T1	2.352	2.4	2.448	0.072	0.120	0.168				
NCP301LSN25T1	2.450	2.5	2.550	0.075	0.125	0.175				
NCP301LSN26T1	2.548	2.6	2.652	0.078	0.130	0.182				
NCP301LSN27T1	2.646	2.7	2.754	0.081	0.135	0.189				
NCP301LSN28T1	2.744	2.8	2.856	0.084	0.140	0.196				
NCP301LSN29T1	2.842	2.9	2.958	0.087	0.145	0.203				
NCP301LSN30T1	2.940	3.0	3.060	0.090	0.150	0.210				
NCP301LSN31T1	3.038	3.1	3.162	0.093	0.155	0.217				
NCP301LSN32T1	3.136	3.2	3.264	0.096	0.160	0.224				
NCP301LSN33T1	3.234	3.3	3.366	0.099	0.165	0.231				
NCP301LSN34T1	3.332	3.4	3.468	0.102	0.170	0.238				
NCP301LSN35T1	3.430	3.5	3.570	0.105	0.175	0.245				
NCP301LSN36T1	3.528	3.6	3.672	0.108	0.180	0.252				
NCP301LSN37T1	3.626	3.7	3.774	0.111	0.185	0.259				
NCP301LSN38T1	3.724	3.8	3.876	0.114	0.190	0.266				
NCP301LSN39T1	3.822	3.9	3.978	0.117	0.195	0.273				
NCP301LSN40T1	3.920	4.0	4.080	0.120	0.200	0.280	0.4	0.6		
NCP301LSN41T1	4.018	4.1	4.182	0.123	0.205	0.287				
NCP301LSN42T1	4.116	4.2	4.284	0.126	0.210	0.294				
NCP301LSN43T1	4.214	4.3	4.386	0.129	0.215	0.301				
NCP301LSN44T1	4.312	4.4	4.488	0.132	0.220	0.308				
NCP301LSN45T1	4.410	4.5	4.590	0.135	0.225	0.315				
NCP301LSN46T1	4.508	4.6	4.692	0.138	0.230	0.322				
NCP301LSN47T1	4.606	4.7	4.794	0.141	0.235	0.329				
NCP301LSN48T1	4.704	4.8	4.896	0.144	0.240	0.336				
NCP301LSN49T1	4.802	4.9	4.998	0.147	0.245	0.343				

13. Condition 1: 0.9 – 2.9 V, V<sub>in</sub> = V<sub>DET-</sub> – 0.10 V; 3.0 – 3.9 V, V<sub>in</sub> = V<sub>DET-</sub> – 0.13 V; 4.0 – 4.9 V, V<sub>in</sub> = V<sub>DET-</sub> – 0.16 V

14. Condition 2: 0.9 – 4.9 V, V<sub>in</sub> = V<sub>DET-</sub> + 2.0 V

15. Condition 3: 0.9 – 4.9 V, V<sub>in</sub> = 0.7 V, V<sub>OUT</sub> = 0.05 V, Active Low 'L' Suffix Devices

16. Condition 4: 0.9 – 1.0 V, V<sub>in</sub> = 0.85 V, V<sub>OUT</sub> = 0.5 V; 1.1 – 1.5 V, V<sub>in</sub> = 1.0 V, V<sub>OUT</sub> = 0.5 V; 1.6 – 4.9 V, V<sub>in</sub> = 1.5 V, V<sub>OUT</sub> = 0.5 V, Active Low 'L' Suffix Devices

# NCP300, NCP301

**Table 4. ELECTRICAL CHARACTERISTIC TABLE FOR 0.9 – 4.9 V**

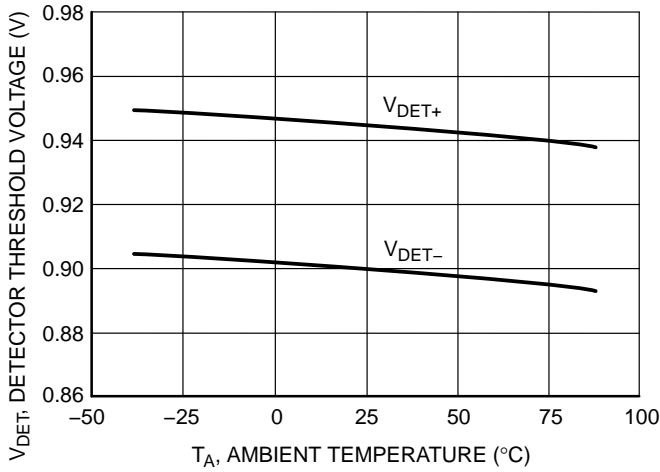
NCP301 Series	Detector Threshold			Detector Threshold Hysteresis			Supply Current		Nch Sink Current
							V <sub>in</sub> Low	V <sub>in</sub> High	
Part Number	V <sub>DET-</sub> (V)			V <sub>HYS</sub> (V)			I <sub>in</sub> (μA) (Note 17)	I <sub>in</sub> (μA) (Note 18)	I <sub>OUT</sub> (mA) (Note 19)
	Min	Typ	Max	Min	Typ	Max	Typ	Typ	Typ
NCP301HSN09T1	0.882	0.9	0.918	0.027	0.045	0.063	0.3	0.5	2.5
NCP301HSN10T1	0.980	1.0	1.020	0.030	0.050	0.070			
NCP301HSN11T1	1.078	1.1	1.122	0.033	0.055	0.077			
NCP301HSN12T1	1.176	1.2	1.224	0.036	0.060	0.084			
NCP301HSN13T1	1.274	1.3	1.326	0.039	0.065	0.091			
NCP301HSN14T1	1.372	1.4	1.428	0.042	0.070	0.098			
NCP301HSN15T1	1.470	1.5	1.530	0.045	0.075	0.105			
NCP301HSN16T1	1.568	1.6	1.632	0.048	0.080	0.112			
NCP301HSN17T1	1.666	1.7	1.734	0.051	0.085	0.119			
NCP301HSN18T1	1.764	1.8	1.836	0.054	0.090	0.126			
NCP301HSN19T1	1.862	1.9	1.938	0.057	0.095	0.133			
NCP301HSN20T1	1.960	2.0	2.040	0.060	0.100	0.140			
NCP301HSN21T1	2.058	2.1	2.142	0.063	0.105	0.147			
NCP301HSN22T1	2.156	2.2	2.244	0.066	0.110	0.154			
NCP301HSN23T1	2.254	2.3	2.346	0.069	0.115	0.161			
NCP301HSN24T1	2.352	2.4	2.448	0.072	0.120	0.168			
NCP301HSN25T1	2.450	2.5	2.550	0.075	0.125	0.175			
NCP301HSN26T1	2.548	2.6	2.652	0.078	0.130	0.182			
NCP301HSN27T1	2.646	2.7	2.754	0.081	0.135	0.189			
NCP301HSN28T1	2.744	2.8	2.856	0.084	0.140	0.196			
NCP301HSN29T1	2.842	2.9	2.958	0.087	0.145	0.203			
NCP301HSN30T1	2.940	3.0	3.060	0.090	0.150	0.210			
NCP301HSN31T1	3.038	3.1	3.162	0.093	0.155	0.217			
NCP301HSN32T1	3.136	3.2	3.264	0.096	0.160	0.224			
NCP301HSN33T1	3.234	3.3	3.366	0.099	0.165	0.231			
NCP301HSN34T1	3.332	3.4	3.468	0.102	0.170	0.238			
NCP301HSN35T1	3.430	3.5	3.570	0.105	0.175	0.245			
NCP301HSN36T1	3.528	3.6	3.672	0.108	0.180	0.252			
NCP301HSN37T1	3.626	3.7	3.774	0.111	0.185	0.259			
NCP301HSN38T1	3.724	3.8	3.876	0.114	0.190	0.266			
NCP301HSN39T1	3.822	3.9	3.978	0.117	0.195	0.273			
NCP301HSN40T1	3.920	4.0	4.080	0.120	0.200	0.280	0.4	0.6	11
NCP301HSN41T1	4.018	4.1	4.182	0.123	0.205	0.287			
NCP301HSN42T1	4.116	4.2	4.284	0.126	0.210	0.294			
NCP301HSN43T1	4.214	4.3	4.386	0.129	0.215	0.301			
NCP301HSN44T1	4.312	4.4	4.488	0.132	0.220	0.308			
NCP301HSN45T1	4.410	4.5	4.590	0.135	0.225	0.315			
NCP301HSN46T1	4.508	4.6	4.692	0.138	0.230	0.322			
NCP301HSN47T1	4.606	4.7	4.794	0.141	0.235	0.329			
NCP301HSN48T1	4.704	4.8	4.896	0.144	0.240	0.336			
NCP301HSN49T1	4.802	4.9	4.998	0.147	0.245	0.343			

17. Condition 1: 0.9 – 2.9 V, V<sub>in</sub> = V<sub>DET-</sub> – 0.10 V; 3.0 – 3.9 V, V<sub>in</sub> = V<sub>DET-</sub> – 0.13 V; 4.0 – 4.9 V, V<sub>in</sub> = V<sub>DET-</sub> – 0.16 V

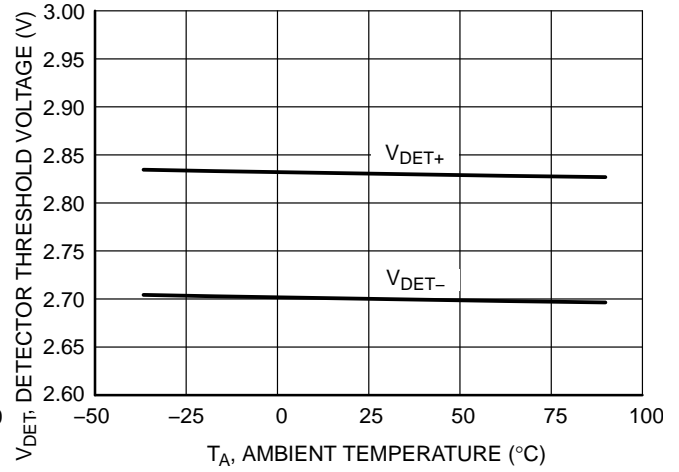
18. Condition 2: 0.9 – 4.9 V, V<sub>in</sub> = V<sub>DET-</sub> + 2.0 V

19. Condition 3: 0.9 – 1.4 V, V<sub>in</sub> = 1.5 V, V<sub>OUT</sub> = 0.5 V; 1.5 – 4.9 V, V<sub>in</sub> = 5.0 V, V<sub>OUT</sub> = 0.5 V, Active High 'H' Suffix Devices

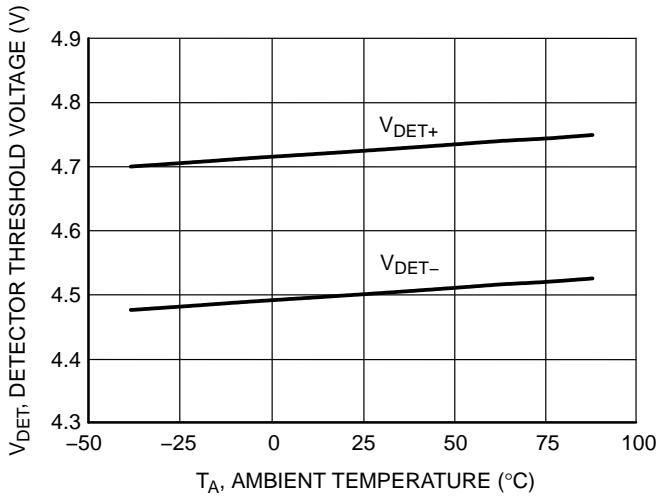
# NCP300, NCP301



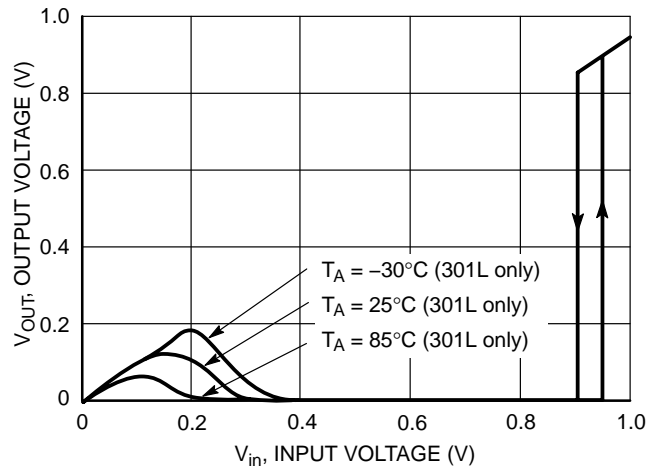
**Figure 3. NCP300/1 Series 0.9 V**  
Detector Threshold Voltage versus Temperature



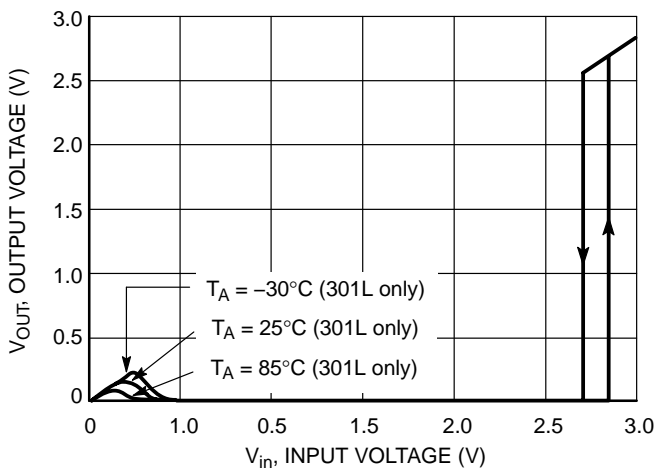
**Figure 4. NCP300/1 Series 2.7 V**  
Detector Threshold Voltage versus Temperature



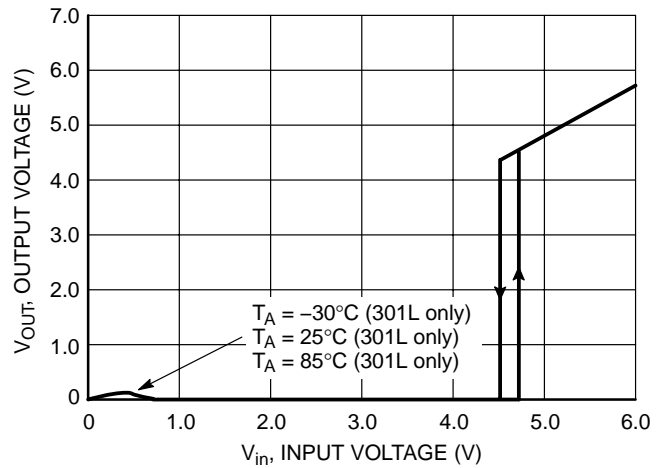
**Figure 5. NCP300/1 Series 4.5 V**  
Detector Threshold Voltage versus Temperature



**Figure 6. NCP300L/1L Series 0.9 V**  
Reset Output Voltage versus Input Voltage

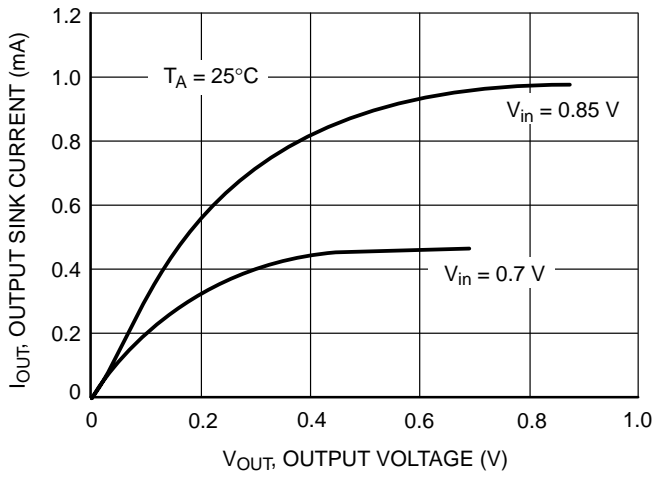


**Figure 7. NCP300L/1L Series 2.7 V**  
Reset Output Voltage versus Input Voltage

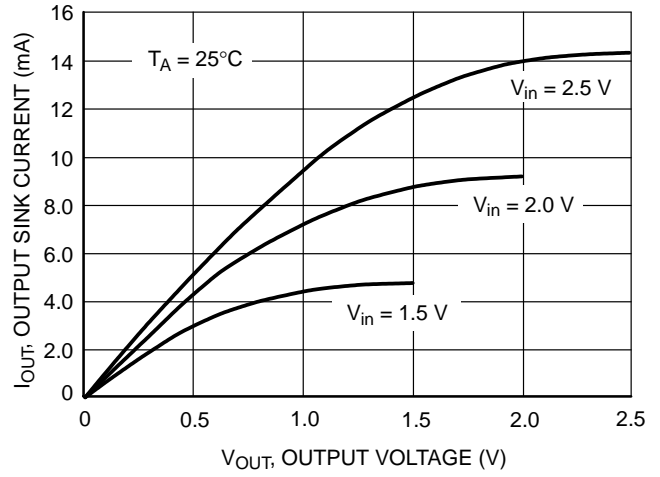


**Figure 8. NCP300L/1L Series 4.5 V**  
Reset Output Voltage versus Input Voltage

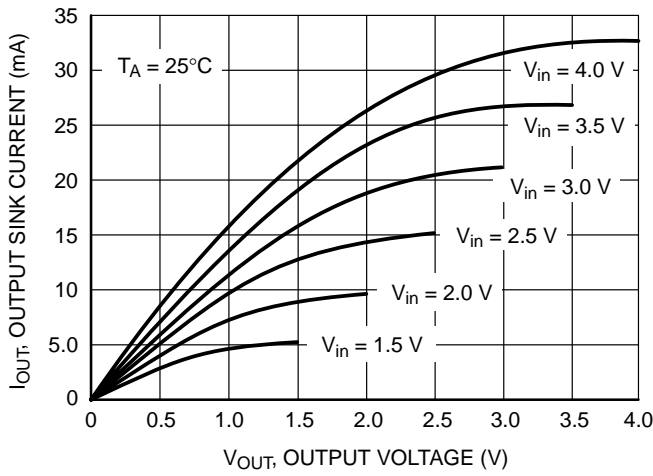
# NCP300, NCP301



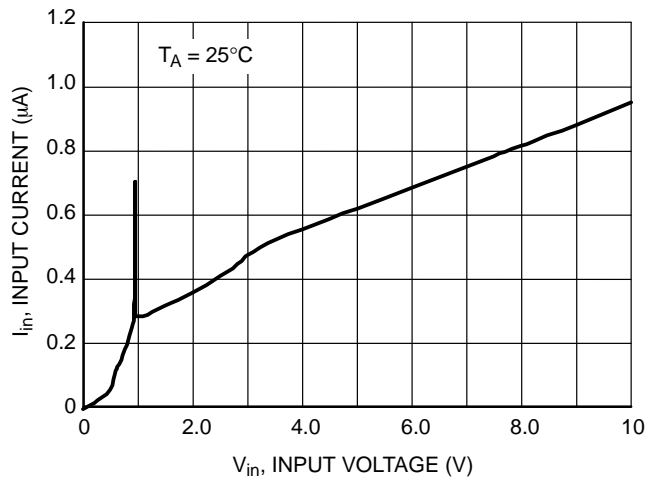
**Figure 9. NCP300H/1L Series 0.9 V**  
Reset Output Sink Current versus Output Voltage



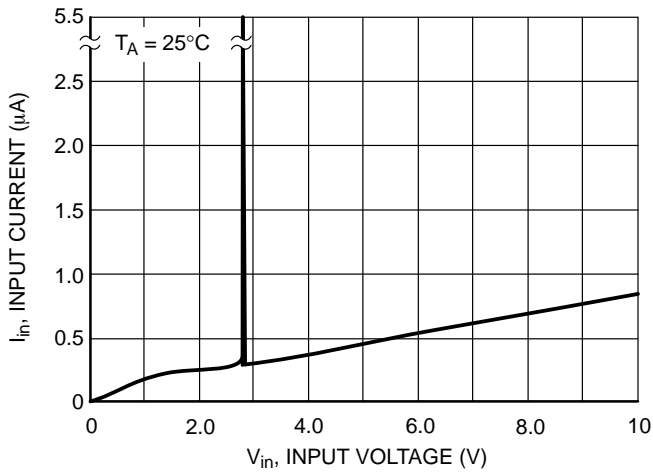
**Figure 10. NCP300H/1L Series 2.7 V**  
Reset Output Sink Current versus Output Voltage



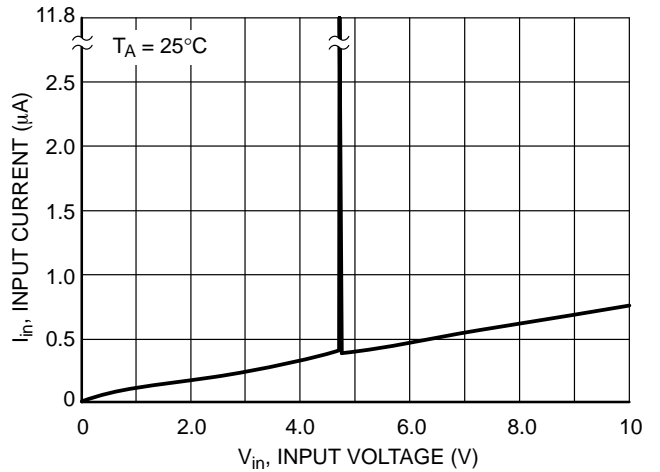
**Figure 11. NCP300H/1L Series 4.5 V**  
Reset Output Sink Current versus Output Voltage



**Figure 12. NCP300/1 Series 0.9 V**  
Input Current versus Input Voltage

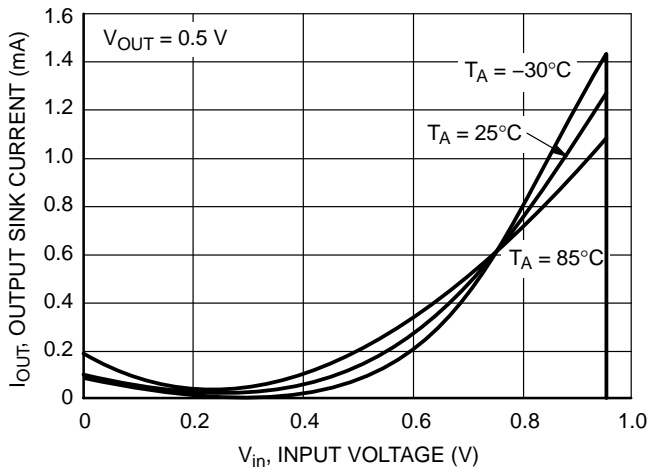


**Figure 13. NCP300/1 Series 2.7 V**  
Input Current versus Input Voltage

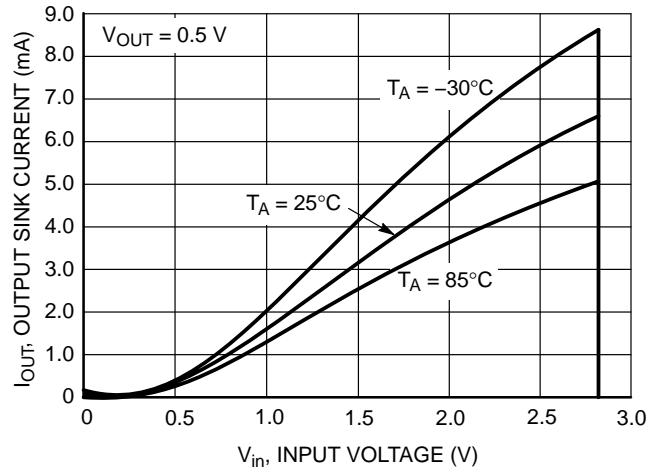


**Figure 14. NCP300/1 Series 4.5 V**  
Input Current versus Input Voltage

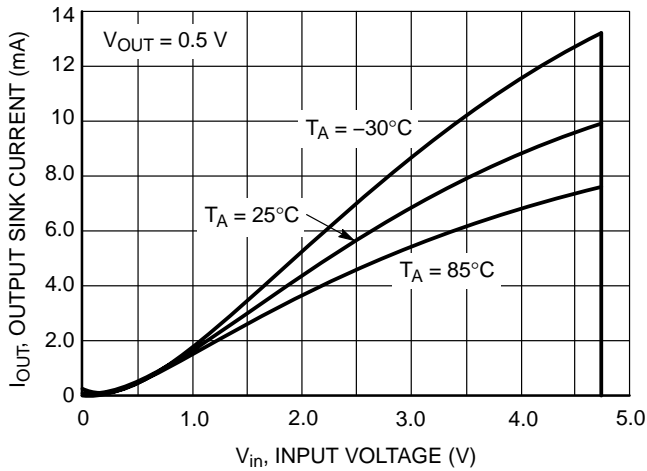
# NCP300, NCP301



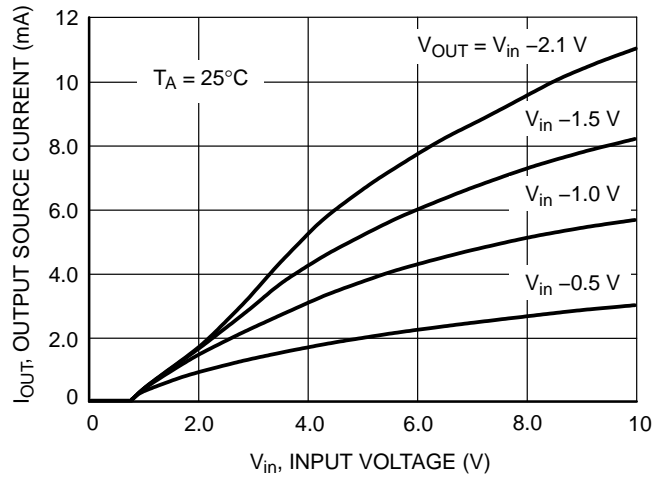
**Figure 15. NCP300H/1L Series 0.9 V Reset Output Sink Current versus Input Voltage**



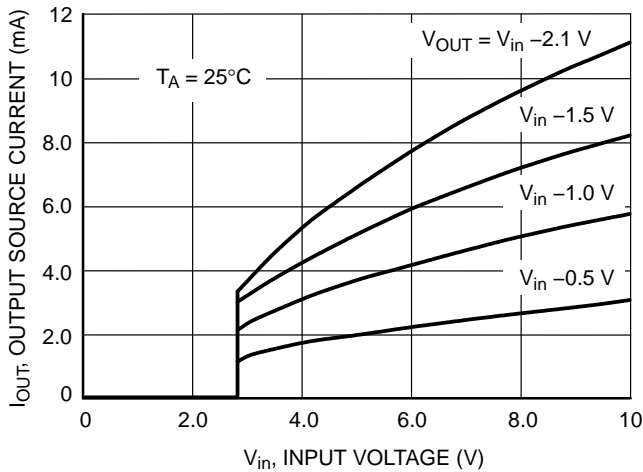
**Figure 16. NCP300H/1L Series 2.7 V Reset Output Sink Current versus Input Voltage**



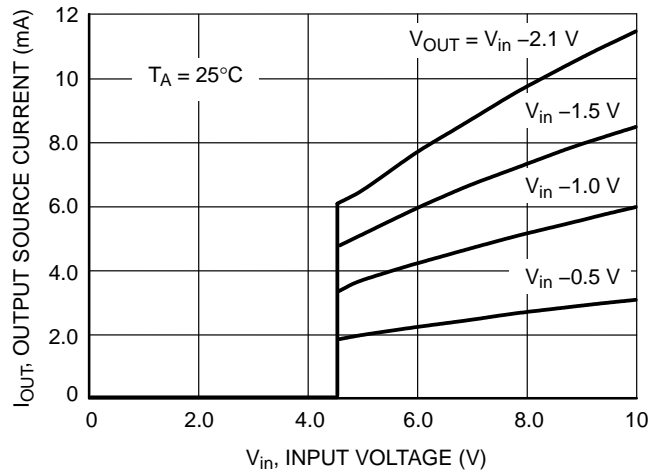
**Figure 17. NCP300H/1L Series 4.5 V Reset Output Sink Current versus Input Voltage**



**Figure 18. NCP300L Series 0.9 V Reset Output Source Current versus Input Voltage**



**Figure 19. NCP300L Series 2.7 V Reset Output Source Current versus Input Voltage**



**Figure 20. NCP300L Series 4.5 V Reset Output Source Current versus Input Voltage**

# NCP300, NCP301

## OPERATING DESCRIPTION

The NCP300 and NCP301 series devices are second generation ultra-low current voltage detectors. Figures 21 and 22 show a timing diagram and a typical application. Initially consider that input voltage  $V_{in}$  is at a nominal level and it is greater than the voltage detector upper threshold ( $V_{DET+}$ ), and the reset output (Pin 1) will be in the high state for active low devices, or in the low state for active high devices. If there is a power interruption and  $V_{in}$  becomes significantly deficient, it will fall below the lower detector threshold ( $V_{DET-}$ ). This sequence of events causes the Reset output to be in the low state for active low devices, or in the

high state for active high devices. After completion of the power interruption,  $V_{in}$  will again return to its nominal level and become greater than the  $V_{DET+}$ . The voltage detector has built-in hysteresis to prevent erratic reset operation as the comparator threshold is crossed.

Although these device series are specifically designed for use as reset controllers in portable microprocessor based systems, they offer a cost-effective solution in numerous applications where precise voltage monitoring is required. Figure 22 through Figure 29 shows various application examples.

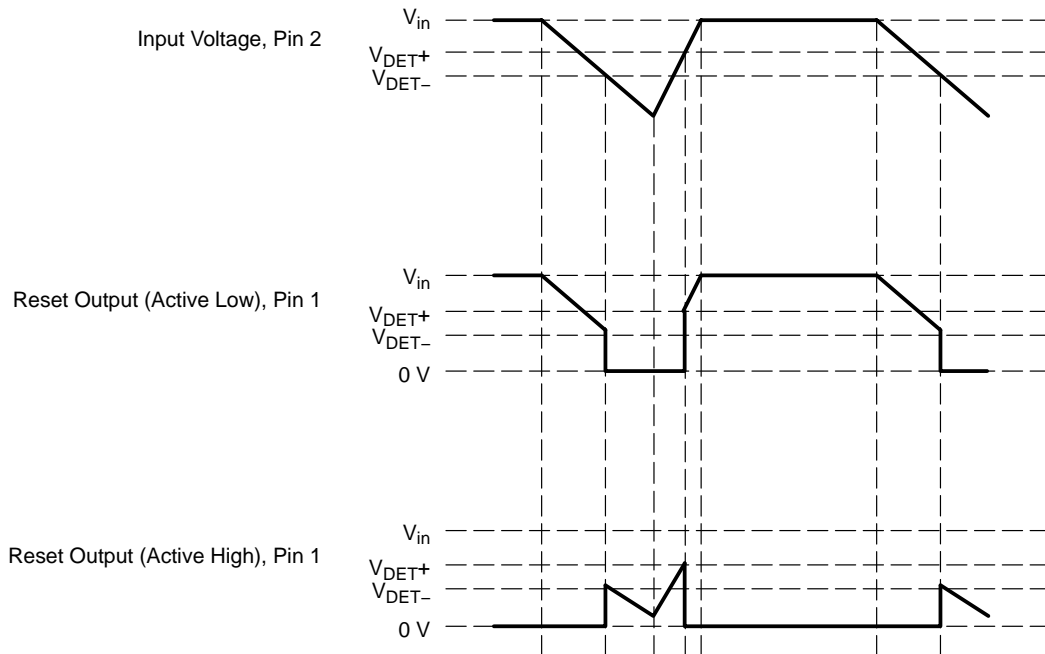


Figure 21. Timing Waveforms

# NCP300, NCP301

## APPLICATION CIRCUIT INFORMATION

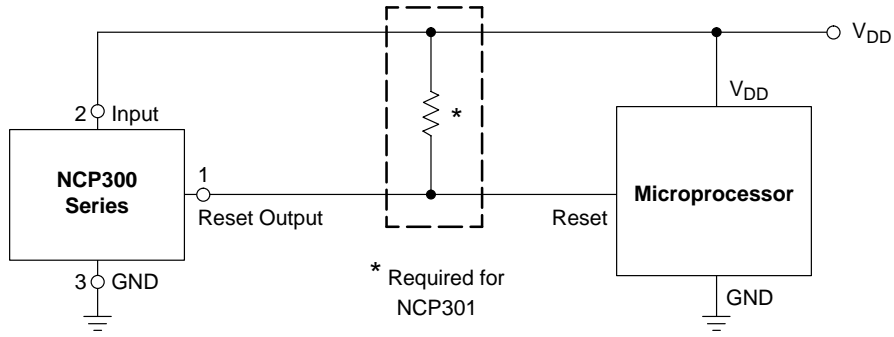


Figure 22. Microprocessor Reset Circuit

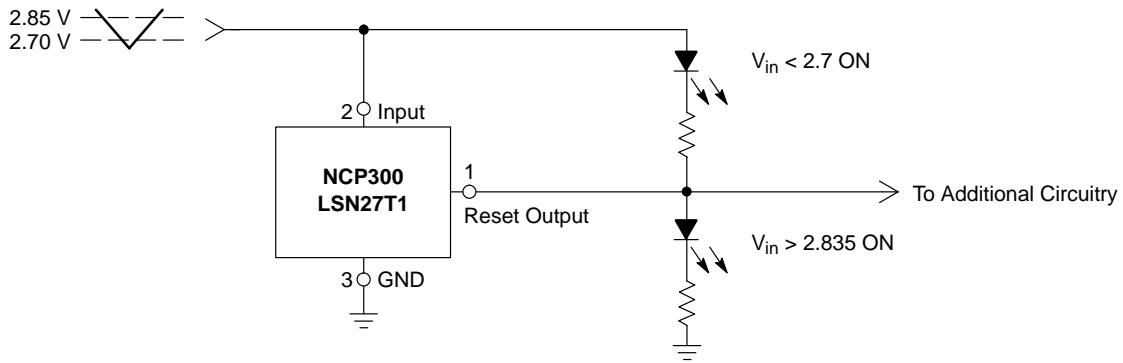


Figure 23. Battery Charge Indicator

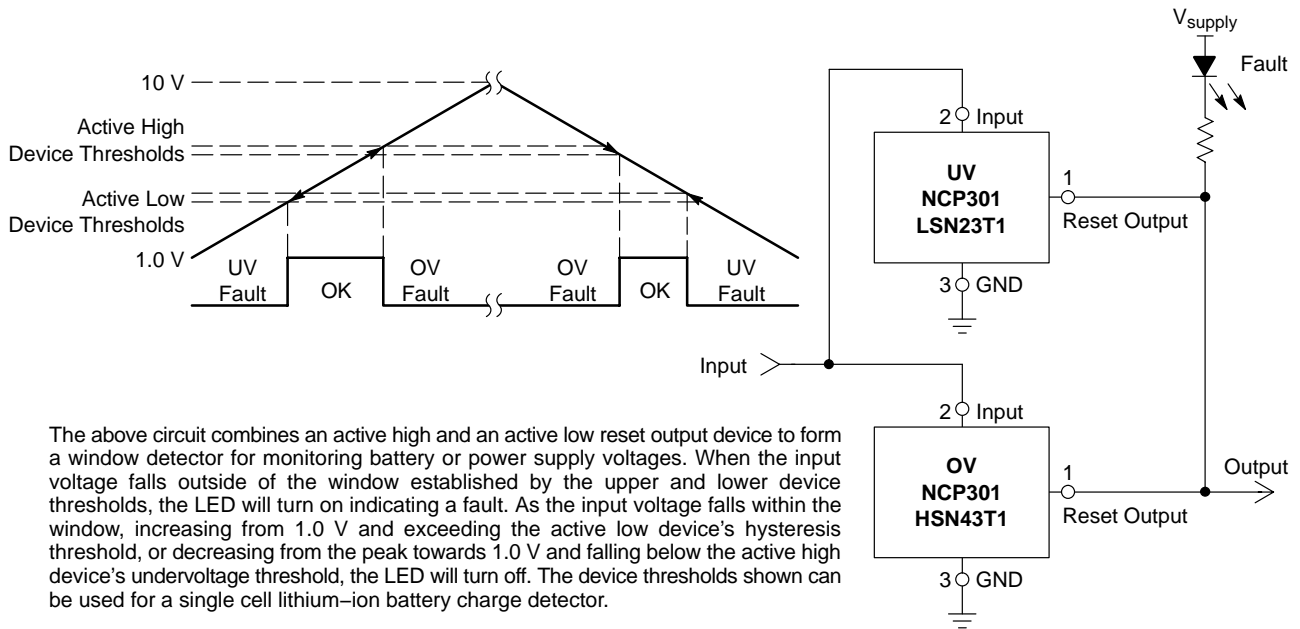


Figure 24. Window Voltage Detector



# NCP300, NCP301

## APPLICATION CIRCUIT INFORMATION

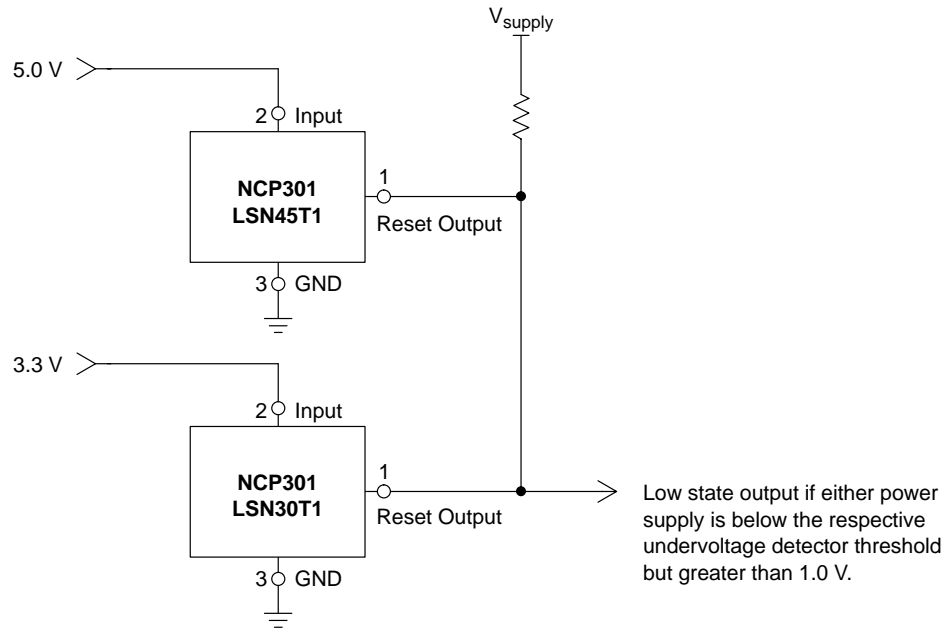


Figure 25. Dual Power Supply Undervoltage Supervision

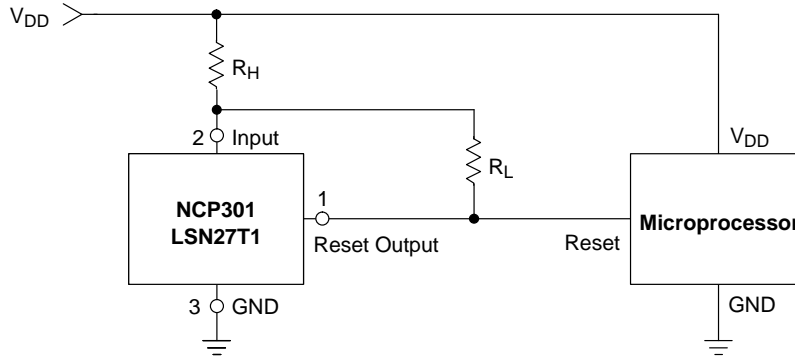


Figure 26. Microprocessor Reset Circuit with Additional Hysteresis

Comparator hysteresis can be increased with the addition of resistor  $R_H$ . The hysteresis equations have been simplified and do not account for the change of input current  $I_{in}$  as  $V_{in}$  crosses the comparator threshold. The internal resistance,  $R_{in}$  is simply calculated using  $I_{in} = 0.26 \mu A$  at 2.6 V.

$V_{in}$  Decreasing:

$$V_{th} = \left( \frac{R_H}{R_{in}} + 1 \right) (V_{DET-})$$

$V_{in}$  Increasing:

$$V_{th} = \left( \frac{R_H}{R_{in} \parallel R_L} + 1 \right) (V_{DET-} + V_{HYS})$$

$$V_{HYS} = V_{in \text{ Increasing}} - V_{in \text{ Decreasing}}$$

Test Data				
$V_{th}$ Decreasing (V)	$V_{th}$ Increasing (V)	$V_{HYS}$ (V)	$R_H$ ( $\Omega$ )	$R_L$ ( $k\Omega$ )
2.70	2.84	0.135	0	-
2.70	2.87	0.17	100	10
2.70	2.88	0.19	100	6.8
2.70	2.91	0.21	100	4.3
2.70	2.90	0.20	220	10
2.70	2.94	0.24	220	6.8
2.70	2.98	0.28	220	4.3
2.70	2.70	0.27	470	10
2.70	3.04	0.34	470	6.8
2.70	3.15	0.35	470	4.3

## NCP300, NCP301

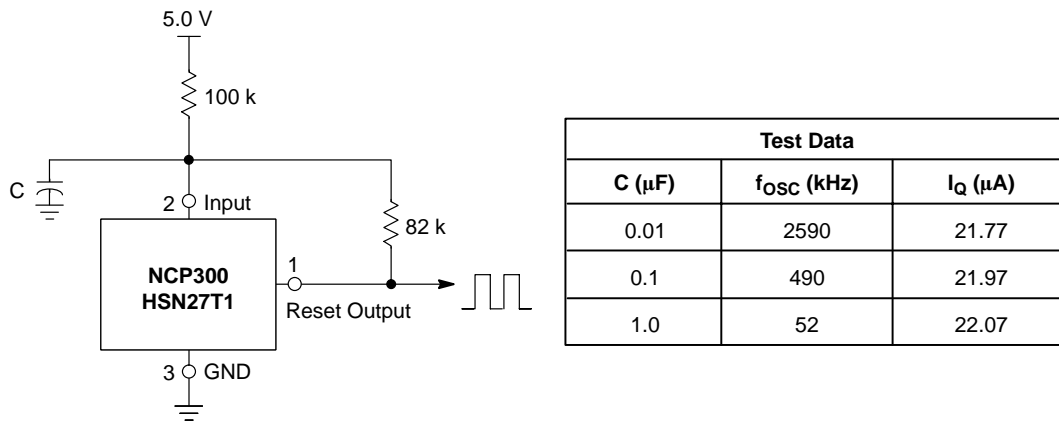
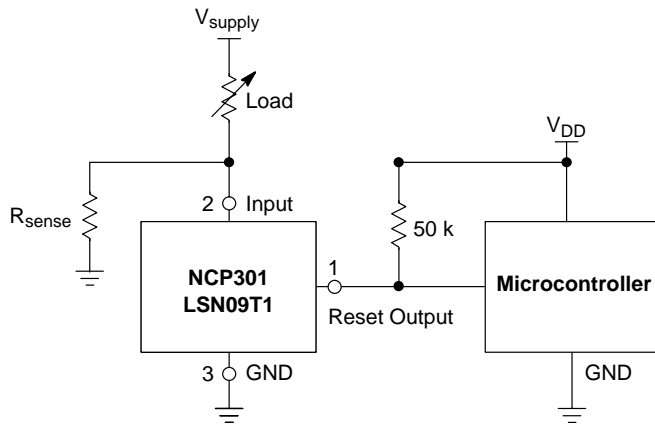


Figure 27. Simple Clock Oscillator

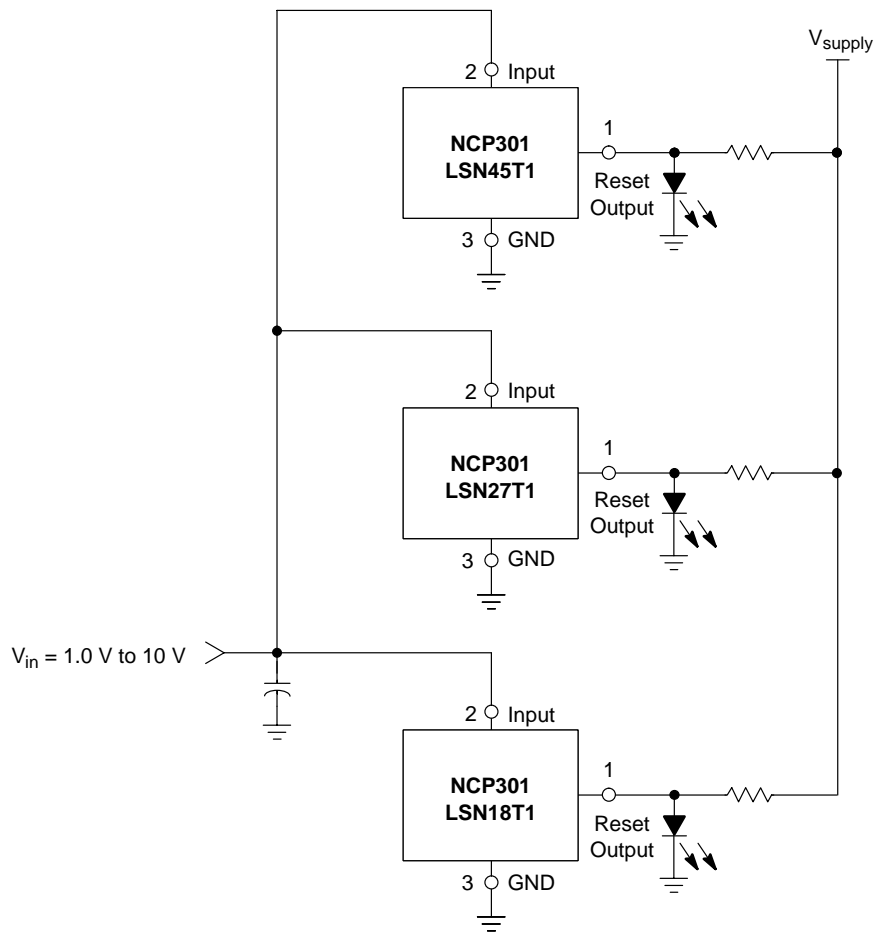


This circuit monitors the current at the load. As current flows through the load, a voltage drop with respect to ground appears across  $R_{sense}$  where  $V_{sense} = I_{load} * R_{sense}$ . The following conditions apply:

If:	Then:
$I_{Load} < V_{DET-}/R_{sense}$	Reset Output = 0 V
$I_{Load} \geq (V_{DET-} + V_{HYS})/R_{sense}$	Reset Output = $V_{DD}$

Figure 28. Microcontroller System Load Sensing

## NCP300, NCP301



A simple voltage monitor can be constructed by connecting several voltage detectors as shown above. Each LED will sequentially turn on when the respective voltage detector threshold ( $V_{DET-} + V_{HYS}$ ) is exceeded. Note that detector thresholds ( $V_{DET-}$ ) that range from 0.9 V to 4.9 V in 100 mV steps can be manufactured.

**Figure 29. LED Bar Graph Voltage Monitor**

# NCP300, NCP301

## ORDERING INFORMATION

Device	Threshold Voltage	Output Type	Reset	Marking	Package	Shipping†	
NCP300LSN09T1	0.9	CMOS	Active Low	SEJ	TSOP-5	3000 / Tape & Reel (7 in. Reel)	
NCP300LSN18T1	1.8			SFK	TSOP-5		
NCP300LSN20T1	2.0			SHE	TSOP-5		
NCP300LSN20T1G	2.0			SHE	TSOP-5 (Pb-Free)		
NCP300LSN27T1	2.7			SEE	TSOP-5		
NCP300LSN28T1	2.8			SED	TSOP-5		
NCP300LSN28T1G	2.8			SED	TSOP-5 (Pb-Free)		
NCP300LSN30T1	3.0			SEC	TSOP-5		
NCP300LSN33T1	3.3			SKV	TSOP-5		
NCP300LSN34T1	3.4			SKU	TSOP-5		
NCP300LSN44T1	4.4			SKK	TSOP-5		
NCP300LSN45T1	4.5			SEA	TSOP-5		
NCP300LSN46T1	4.6			SKJ	TSOP-5		
NCP300LSN47T1	4.7			SDZ	TSOP-5		
NCP300LSN185T1	1.815			SRA	TSOP-5		
NCP300LSN185T1G	1.815			SRA	TSOP-5 (Pb-Free)		
NCP300HSN09T1	0.9			Active High	SDY		TSOP-5
NCP300HSN18T1	1.8				SFJ		TSOP-5
NCP300HSN18T1G	1.8		SFJ		TSOP-5 (Pb-Free)		
NCP300HSN27T1	2.7		SDU		TSOP-5		
NCP300HSN27T1G	2.7		SDU		TSOP-5 (Pb-Free)		
NCP300HSN30T1	3.0		SDS		TSOP-5		
NCP300HSN45T1	4.5		SDQ		TSOP-5		
NCP300HSN47T1	4.7		SDP		TSOP-5		
NCP301LSN09T1	0.9	Open Drain	Active Low	SFF	TSOP-5		
NCP301LSN12T1	1.2			SNN	TSOP-5		
NCP301LSN12T1G	1.2			SNN	TSOP-5 (Pb-Free)		
NCP301LSN16T1	1.6			SNJ	TSOP-5		
NCP301LSN16T1G	1.6			SNJ	TSOP-5 (Pb-Free)		
NCP301LSN18T1	1.8			SFN	TSOP-5		
NCP301LSN18T1G	1.8			SFN	TSOP-5 (Pb-Free)		

NOTE: The ordering information lists standard undervoltage thresholds with active low outputs. Additional active low threshold devices, ranging from 0.9 V to 4.9 V in 100 mV increments and NCP300/NCP301 active high output devices, ranging from 0.9 V to 4.9 V in 100 mV increments can be manufactured. Contact your ON Semiconductor representative for availability. The electrical characteristics of these additional devices are shown in Tables 1 through 4.

†For information on tape and reel specifications, including part orientation and tape sizes, please refer to our Tape and Reel Packaging Specifications Brochure, BRD8011/D.

# NCP300, NCP301

## ORDERING INFORMATION

Device	Threshold Voltage	Output Type	Reset	Marking	Package	Shipping†
NCP301LSN20T1	2.0	Open Drain	Active Low	SFD	TSOP-5	3000 / Tape & Reel (7 in. Reel)
NCP301LSN20T1G	2.0			SFD	TSOP-5 (Pb-Free)	
NCP301LSN22T1	2.2			SNG	TSOP-5	
NCP301LSN25T1	2.5			SNF	TSOP-5	
NCP301LSN26T1	2.6			SNE	TSOP-5	
NCP301LSN27T1	2.7			SFA	TSOP-5	
NCP301LSN28T1	2.8			SEZ	TSOP-5	
NCP301LSN28T1G	2.8			SEZ	TSOP-5 (Pb-Free)	
NCP301LSN30T1	3.0			SEY	TSOP-5	
NCP301LSN30T1G	3.0			SEY	TSOP-5 (Pb-Free)	
NCP301LSN31T1	3.1			SEW	TSOP-5	
NCP301LSN33T1	3.3			SNB	TSOP-5	
NCP301LSN34T1	3.4			SNA	TSOP-5	
NCP301LSN40T1	4.0			SMU	TSOP-5	
NCP301LSN42T1	4.2			SMS	TSOP-5	
NCP301LSN45T1	4.5			SEV	TSOP-5	
NCP301LSN46T1	4.6			SMP	TSOP-5	
NCP301LSN47T1	4.7			SEU	TSOP-5	
NCP301LSN47T1G	4.7			SEU	TSOP-5 (Pb-Free)	
NCP301HSN09T1	0.9			SET	TSOP-5	
NCP301HSN18T1	1.8			SFM	TSOP-5	
NCP301HSN22T1	2.2			SMD	TSOP-5	
NCP301HSN27T1	2.7			SEP	TSOP-5	
NCP301HSN27T1G	2.7			SEP	TSOP-5 (Pb-Free)	
NCP301HSN30T1	3.0			SEN	TSOP-5	
NCP301HSN45T1	4.5			SEL	TSOP-5	

NOTE: The ordering information lists standard undervoltage thresholds with active low outputs. Additional active low threshold devices, ranging from 0.9 V to 4.9 V in 100 mV increments and NCP300/NCP301 active high output devices, ranging from 0.9 V to 4.9 V in 100 mV increments can be manufactured. Contact your ON Semiconductor representative for availability. The electrical characteristics of these additional devices are shown in Tables 1 through 4.

†For information on tape and reel specifications, including part orientation and tape sizes, please refer to our Tape and Reel Packaging Specifications Brochure, BRD8011/D.

# NCP300, NCP301

## PACKAGE DIMENSIONS

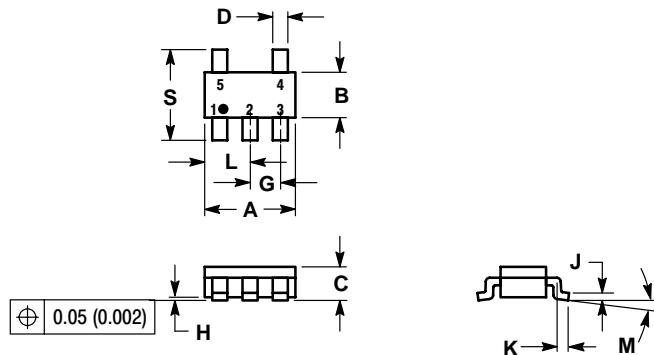
### THIN SOT-23-5/TSOP-5/SC59-5

#### SN SUFFIX

#### PLASTIC PACKAGE

#### CASE 483-02

#### ISSUE C

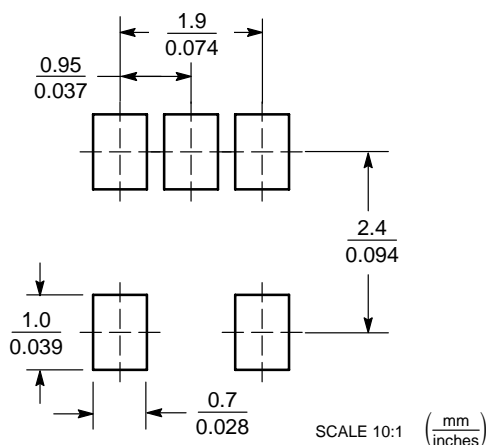


#### NOTES:

1. DIMENSIONING AND TOLERANCING PER ANSI Y14.5M, 1982.
2. CONTROLLING DIMENSION: MILLIMETER.
3. MAXIMUM LEAD THICKNESS INCLUDES LEAD FINISH THICKNESS. MINIMUM LEAD THICKNESS IS THE MINIMUM THICKNESS OF BASE MATERIAL.
4. A AND B DIMENSIONS DO NOT INCLUDE MOLD FLASH, PROTRUSIONS, OR GATE BURRS.

DIM	MILLIMETERS		INCHES	
	MIN	MAX	MIN	MAX
A	2.90	3.10	0.1142	0.1220
B	1.30	1.70	0.0512	0.0669
C	0.90	1.10	0.0354	0.0433
D	0.25	0.50	0.0098	0.0197
G	0.85	1.05	0.0335	0.0413
H	0.013	0.100	0.0005	0.0040
J	0.10	0.26	0.0040	0.0102
K	0.20	0.60	0.0079	0.0236
L	1.25	1.55	0.0493	0.0610
M	0	10	0	10
S	2.50	3.00	0.0985	0.1181

### SOLDERING FOOTPRINT\*



\*For additional information on our Pb-Free strategy and soldering details, please download the ON Semiconductor Soldering and Mounting Techniques Reference Manual, SOLDERRM/D.

ON Semiconductor and are registered trademarks of Semiconductor Components Industries, LLC (SCILLC). SCILLC reserves the right to make changes without further notice to any products herein. SCILLC makes no warranty, representation or guarantee regarding the suitability of its products for any particular purpose, nor does SCILLC assume any liability arising out of the application or use of any product or circuit, and specifically disclaims any and all liability, including without limitation special, consequential or incidental damages. "Typical" parameters which may be provided in SCILLC data sheets and/or specifications can and do vary in different applications and actual performance may vary over time. All operating parameters, including "Typicals" must be validated for each customer application by customer's technical experts. SCILLC does not convey any license under its patent rights nor the rights of others. SCILLC products are not designed, intended, or authorized for use as components in systems intended for surgical implant into the body, or other applications intended to support or sustain life, or for any other application in which the failure of the SCILLC product could create a situation where personal injury or death may occur. Should Buyer purchase or use SCILLC products for any such unintended or unauthorized application, Buyer shall indemnify and hold SCILLC and its officers, employees, subsidiaries, affiliates, and distributors harmless against all claims, costs, damages, and expenses, and reasonable attorney fees arising out of, directly or indirectly, any claim of personal injury or death associated with such unintended or unauthorized use, even if such claim alleges that SCILLC was negligent regarding the design or manufacture of the part. SCILLC is an Equal Opportunity/Affirmative Action Employer. This literature is subject to all applicable copyright laws and is not for resale in any manner.

### PUBLICATION ORDERING INFORMATION

#### LITERATURE FULFILLMENT:

Literature Distribution Center for ON Semiconductor  
P.O. Box 61312, Phoenix, Arizona 85082-1312 USA  
**Phone:** 480-829-7710 or 800-344-3860 Toll Free USA/Canada  
**Fax:** 480-829-7709 or 800-344-3867 Toll Free USA/Canada  
**Email:** orderlit@onsemi.com

**N. American Technical Support:** 800-282-9855 Toll Free USA/Canada

**Japan:** ON Semiconductor, Japan Customer Focus Center  
2-9-1 Kamimeguro, Meguro-ku, Tokyo, Japan 153-0051  
**Phone:** 81-3-5773-3850

**ON Semiconductor Website:** <http://onsemi.com>

**Order Literature:** <http://www.onsemi.com/litorder>

For additional information, please contact your local Sales Representative.