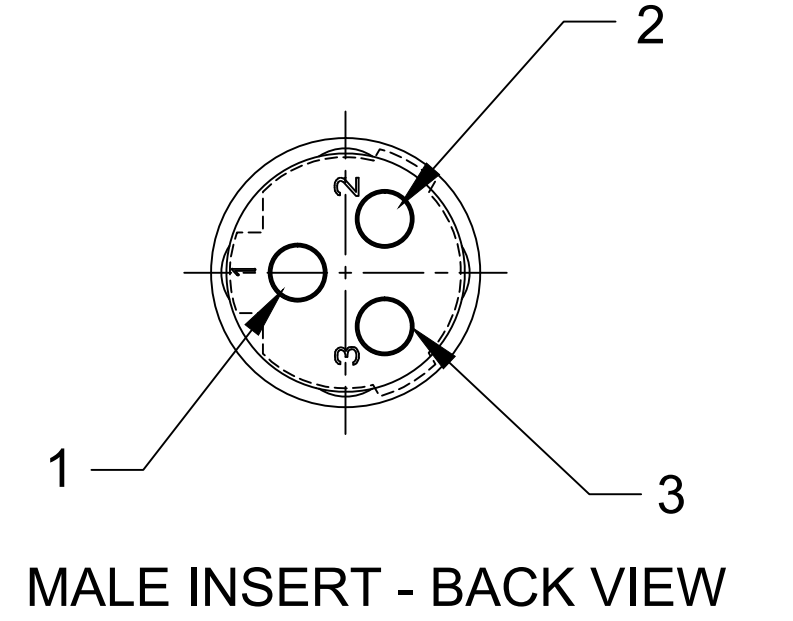
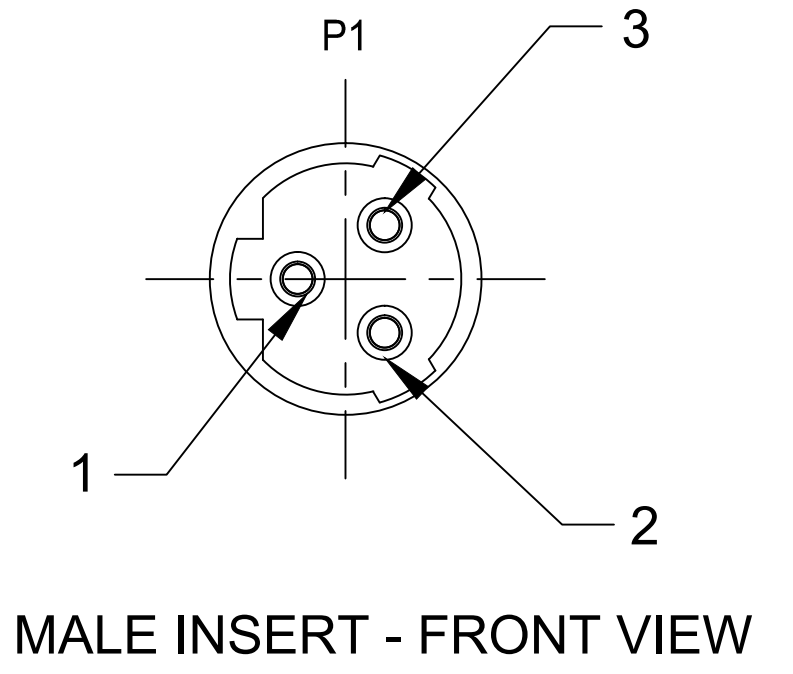
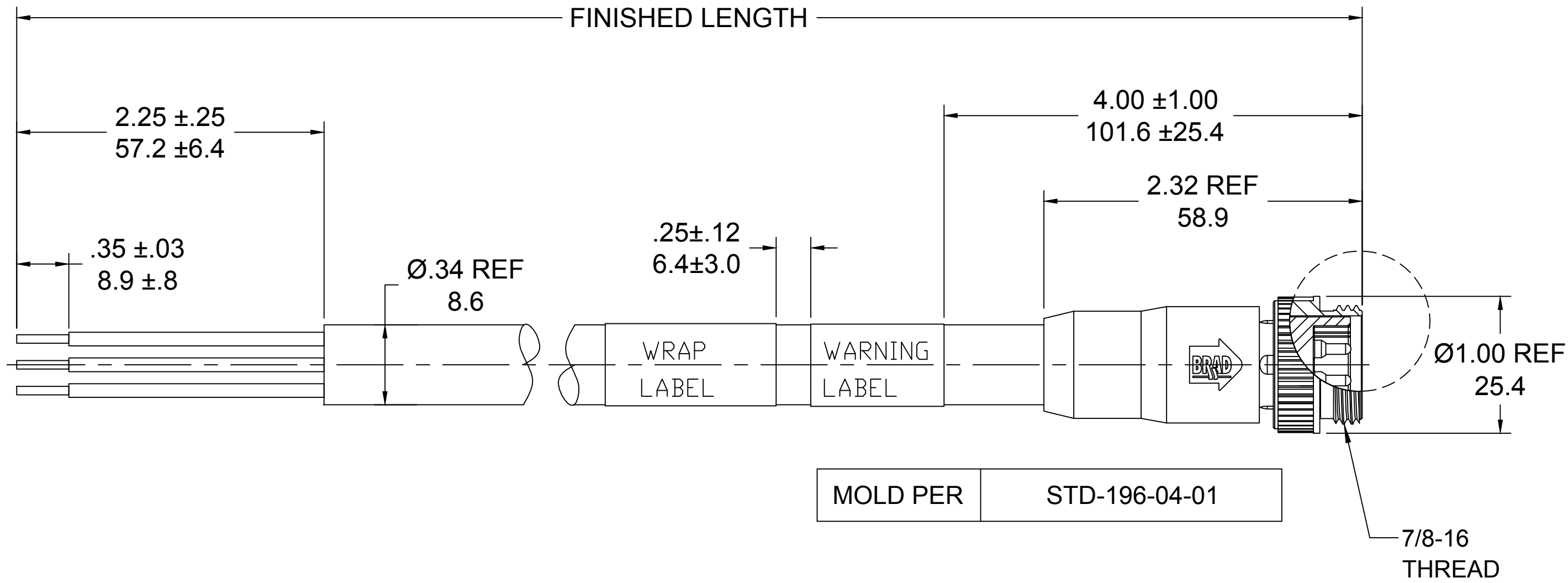


SAP P/N #	ENGINEERING P/N	FINISHED LENGTH
1300610292	103106K20M100	10M



GREEN/YELLOW	P1
BLACK	1
WHITE	2
	3

WIRING DIAGRAM

NOTES:

PREPARE CABLE PER	STD-198-01
CABLE LENGTH TOLERANCES PER	S-175
CRIMP CONTACTS PER	S-267
TEST PER	S-165
MARK LABEL PER	S-189
PACKAGE PER	S-167
MARK INSTALLATION INSTRUCTION PER	S-208

INITIAL RELEASE	QUALITY SYMBOL
EC NO: IFC2019-0393	▽=0
DRWN: CCHRSTK 2019/02/13	∇=0
CH'KD: MZIELINS 2019/02/27	
APPR: BWOODMAN 2019/03/11	
REV	DESCRIPTION
A	

GENERAL TOLERANCES (UNLESS SPECIFIED)	
	mm INCH
4 PLACES	±.005 ±.005
3 PLACES	±.005 ±.005
2 PLACES	±.010 ±.010
1 PLACE	±.020 ±.020
ANGULAR ±1/2°	
DRAFT WHERE APPLICABLE MUST REMAIN WITHIN DIMENSIONS	

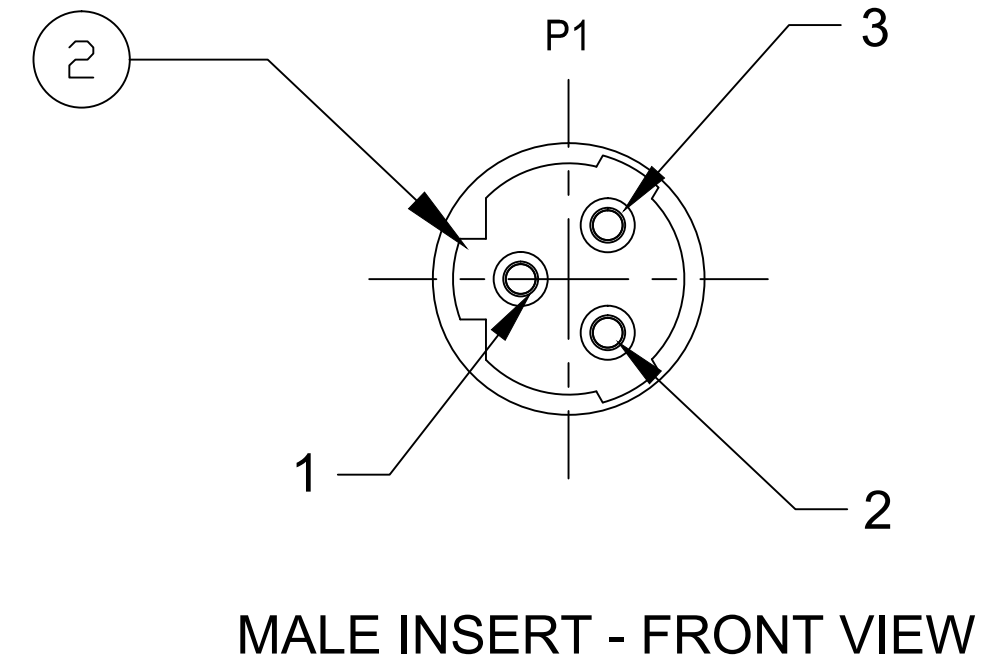
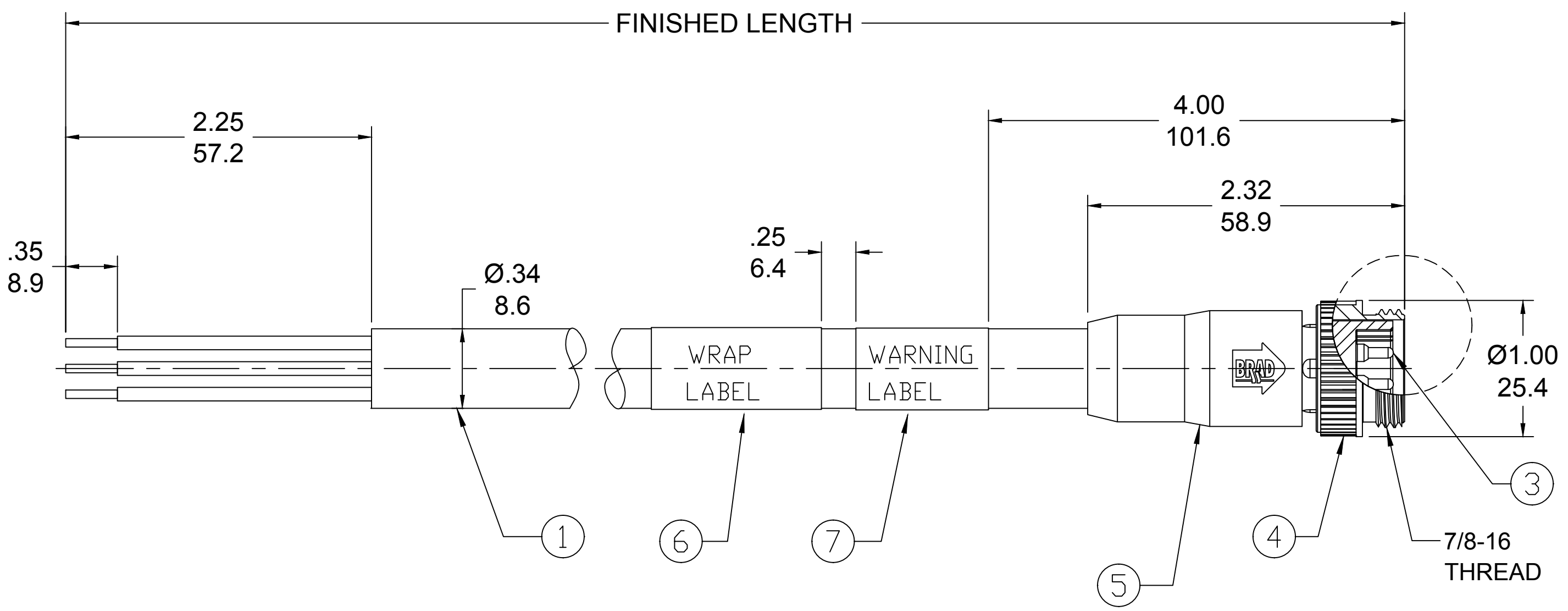
DIMENSION STYLE	
IN/MM	
DRAWN BY	DATE
CCHRSTK	2019/02/13
CHECKED BY	DATE
MZIELINS	2019/02/27
APPROVED BY	DATE
BWOODMAN	2019/03/11
MATERIAL NO.	
SEE P/N CHART	
SIZE	
C	

SCALE	DESIGN UNITS	THIRD ANGLE PROJECTION
NTS	INCH	
TITLE		
BP MC 3P M/MP STRAIGHT 14AWG TRIKEY		
MOLEX INCORPORATED		
MATERIAL NO.	DOCUMENT NO.	SHEET NO.
SEE P/N CHART	E-130061-007	1 OF 1
THIS DRAWING CONTAINS INFORMATION THAT IS PROPRIETARY TO MOLEX INCORPORATED AND SHOULD NOT BE USED WITHOUT WRITTEN PERMISSION		

SAP P/N #	ENGINEERING P/N	FINISHED LENGTH
1300610292	103106K20M100	10M

**CABLE LENGTH TOLERANCES**

>.3M [1FT]: +19mm-0 [+1.75in-0]  
 .3 - .9M [1 - 3FT]: +44.5mm-0 [+1.75in-0]  
 .9 - 1.8M [3 - 6FT]: +55.6mm-0 [+2.19in-0]  
 1.8 - 3.7M [6 - 12FT]: +88.9mm-0 [+3.50in-0]  
 3.7 - 7.3M [12 - 24FT]: +165.1mm-0 [+6.50in-0]  
 7.3-14.6M [24 - 48FT]: +317.5mm-0 [+12.50in-0]  
 14.6 - 30.5M [48-100FT]: +622.3mm-0 [+24.50in-0]  
 OVER 30M [100FT] +2% OF FINISHED LENGTH



- NOTES:**
- MATERIAL: SEE TABLE
  - FINISHES: SEE TABLE
  - ELECTRICAL DATA  
 MAX VOLTAGE: UL2237 600V  
 MAX CURRENT: 15A
  - TEMP RATING: -20°C TO 90°C
  - PROTECTION: IP67 WHEN MATED
  - UL CERTIFIED: UL2237 PENDING
  - ALL DIMS ARE FOR REFERENCE UNLESS OTHERWISE NOTED

**PART NUMBER LEGEND**

103106K20M100

**FINISHED LENGTH:**  
 M001= .1M  
 M010= 1.0M  
 M100= 10.0M

**WIRING DIAGRAM**

	P1
GREEN/YELLOW	1
BLACK	2
WHITE	3

7	WARNING LABEL	VINYL	MULTICOLOR
6	WRAP LABEL	VINYL	YELLOW
5	OVERMOLD	TPE	GRAY
4	MALE COUPLING NUT	BRASS	NICKEL PLATED
3	PIN CONTACT	BRASS	GOLD PLATED
2	MALE INSERT	TPE	BLACK
1	CABLE	TPE	BLACK
ITEM	DESCRIPTION	MATERIAL	FINISH

INITIAL RELEASE  
 EC NO: IFC2019-0393  
 DRWN: CCHRSTK 2019/02/13  
 CHKD: MZIELINS 2019/02/27  
 APPR: BWOODMAN 2019/03/11

QUALITY SYMBOL  
 ▽=0  
 ▽C=0

**GENERAL TOLERANCES (UNLESS SPECIFIED)**

	mm	INCH
4 PLACES	±----	±----
3 PLACES	±----	±----
2 PLACES	±----	±----
1 PLACE	±----	±----
ANGULAR ±---°		
DRAFT WHERE APPLICABLE MUST REMAIN WITHIN DIMENSIONS		

**DIMENSION STYLE IN/MM**

DRAWN BY	DATE
CCHRSTK	2019/02/13
CHECKED BY	DATE
MZIELINS	2019/02/27
APPROVED BY	DATE
BWOODMAN	2019/03/11
MATERIAL NO.	SEE P/N CHART
SIZE	C

**SCALE NTS**

**DESIGN UNITS INCH**

**THIRD ANGLE PROJECTION**

**TITLE**

**BP MC  
3P M/MP STRAIGHT  
14AWG TRIKEY**

**MOLEX INCORPORATED**

**DOCUMENT NO. SD-130061-044**

**SHEET NO. 1 OF 1**

THIS DRAWING CONTAINS INFORMATION THAT IS PROPRIETARY TO MOLEX INCORPORATED AND SHOULD NOT BE USED WITHOUT WRITTEN PERMISSION