

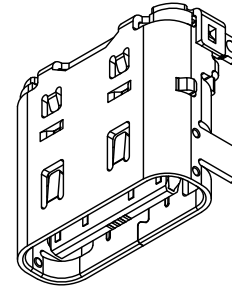
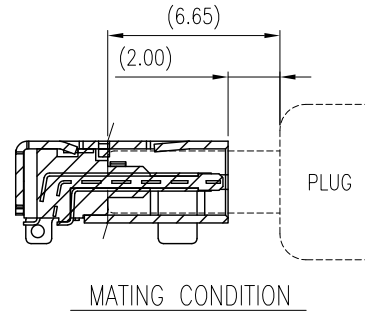
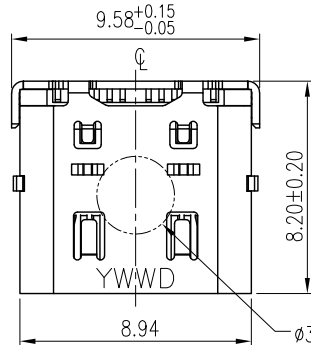
This document is the property of Amphenol Corporation and is delivered on the express condition that is not to be disclosed, reproduced or used, in whole or in part, for manufacture or sale by anyone other than Amphenol Corporation without its prior consent, and that no right is granted to disclose or to use any information in this document.

The marking on this product doesn't contain environmental hazardous materials per directive 2011/65/EU & 2015/863/EU for RoHS compliant and per IEC 61249-2-21 for Halogen-Free compliant.

FOR REFERENCE ONLY



REVISIONS				
SYM	ECN No.	DESCRIPTION	DATE	BY
AX1	EDSR#11452	NON-RELEASE REVISION	2021-09-08	Debby Hung
AX2	EDSR#11546	UPDATE CARRIER VIEW	2021-10-15	Debby Hung
AX3	EDSR#12345	ADD PANEL CUT-OUT REFERENCE	2022-07-21	Debby Hung



NOTES:

1. MATERIAL:

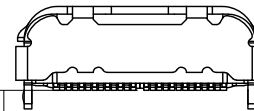
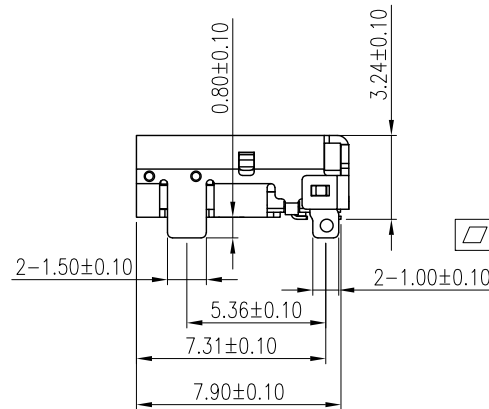
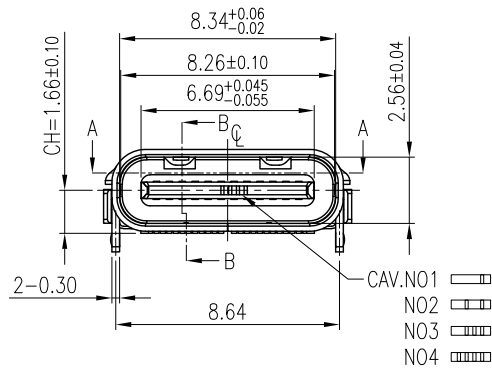
- HOUSING: THERMOPLASTIC LCP UL94-V0, COLOR: BLACK
- CONTACT TERMINAL: HIGH PERFORMANCE COPPER ALLOY.
- GROUND TERMINAL: STAINLESS STEEL.
- LATCH: STAINLESS STEEL
- SHELL: STAINLESS STEEL
- MIDDLE PLATE: STAINLESS STEEL

2. FINISH:

- CONTACT TERMINAL: CONTACT AREA: SELECTIVE PLATING; SOLDERING AREA: GOLD FLASH PLATING; UNDER PLATING: NICKEL PLATING 50 μ" THICKNESS MIN. OVERALL.
- GROUND TERMINAL: SOLDERING AREA: GOLD FLASH PLATING; UNDER PLATING: NICKEL PLATING 10 μ" THICKNESS MIN. OVERALL.
- SHELL: SOLDERING AREA: GOLD FLASH PLATING; UNDER PLATING: NICKEL PLATING 10 μ" THICKNESS MIN. OVERALL.

3. PRODUCT SPECIFICATION REFER TO : PS-7607

4. THIS PRODUCT DOESN'T CONTAIN ENVIRONMENTAL HAZARDOUS PER DIRECTIVE 2011/65/EU & 2015/863/EU FOR RoHS COMPLIANT. AND PER IEC 61249-2-21 FOR HALOGEN-FREE COMPLIANT.

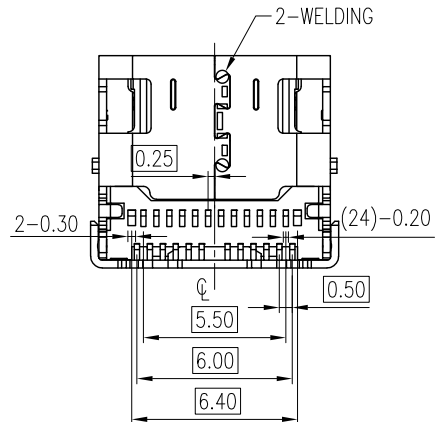


USB TYPE-C PIN ASSIGNMENTS

PIN NUMBER	SIGNAL NAME	PIN NUMBER	SIGNAL NAME
A1	GND	B12	GND
A2	SSTXp1	B11	SSRXp1
A3	SSTXn1	B10	SSRXn1
A4	Vbus	B9	Vbus
A5	CC1	B8	SBU2
A6	Dp1	B7	Dn2
A7	Dn1	B6	Dp2
A8	SBU1	B5	CC2
A9	Vbus	B4	Vbus
A10	SSRXn2	B3	SSTXn2
A11	SSRXp2	B2	SSTXp2
A12	GND	B1	GND

P/N : GSB3C31 X 3DSYHR

- CONTACT FINISH**
- 1: GOLD FLASH
 - 2: 15u" GOLD
 - 3: 30u" GOLD



TOLERANCE	APPROVALS	DATE	TITLE	UNIT	SIZE	PART No.
X.X ±0.30	DRAWN Debby Hung	2022-07-21	USB 3.2 TYPE C RECEPTACLE TOP MOUNT R/A DOUBLE SMT TYPE (1.66H)	mm	A3	GSB3C31X3DSYHR
X.XX ±0.20	CHECKED Joseph Jiang	2022-07-21		SCALE	SHEET	
X.XXX ±0.10	APPROVED Roger Tsai	2022-07-21		NA	1 OF 4	
ANGULAR ±1°	DWG TYPE CUST DWG	PROJECT CODE OTHER				DWG No. GSB3C31X3DSYHR
UNLESS OTHERWISE SPECIFIED						REV. AX3

Amphenol®

Amphenol Corporation
Amphenol Taiwan Corporation

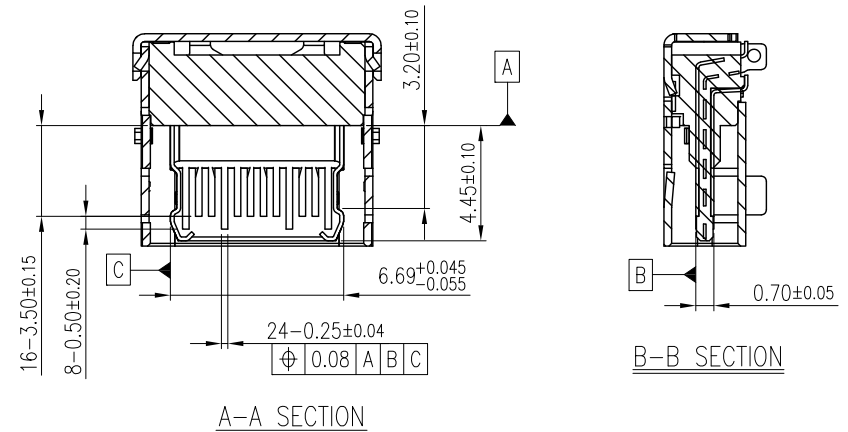
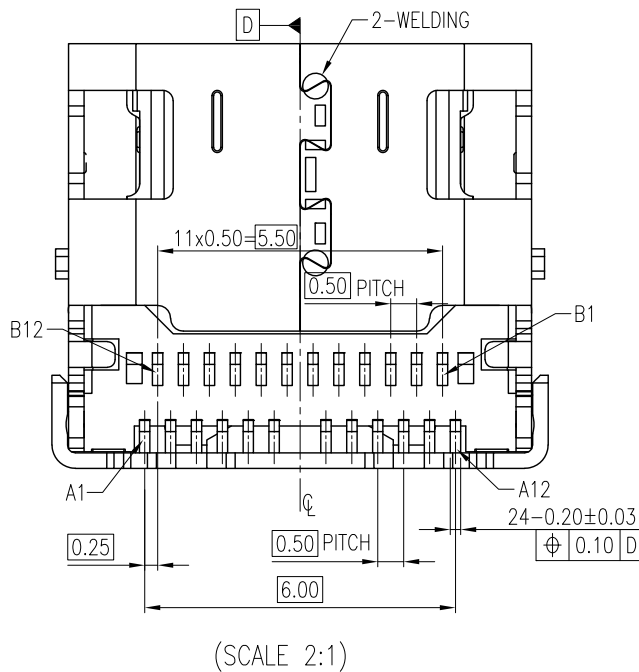
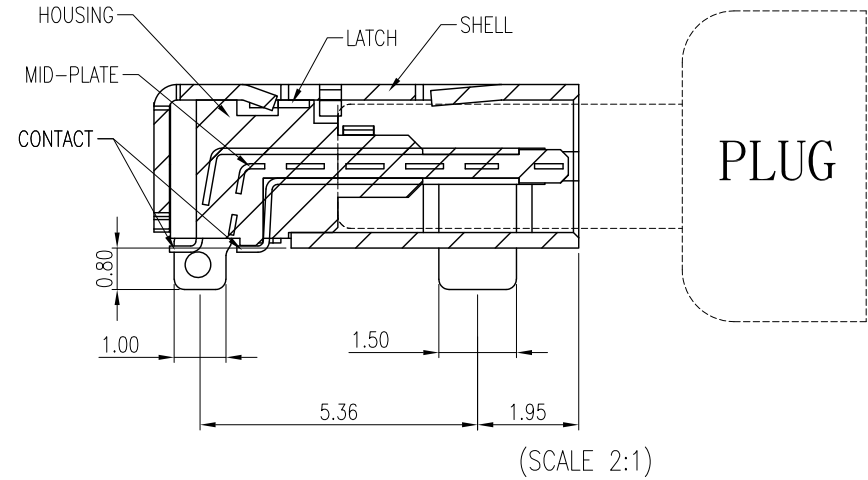
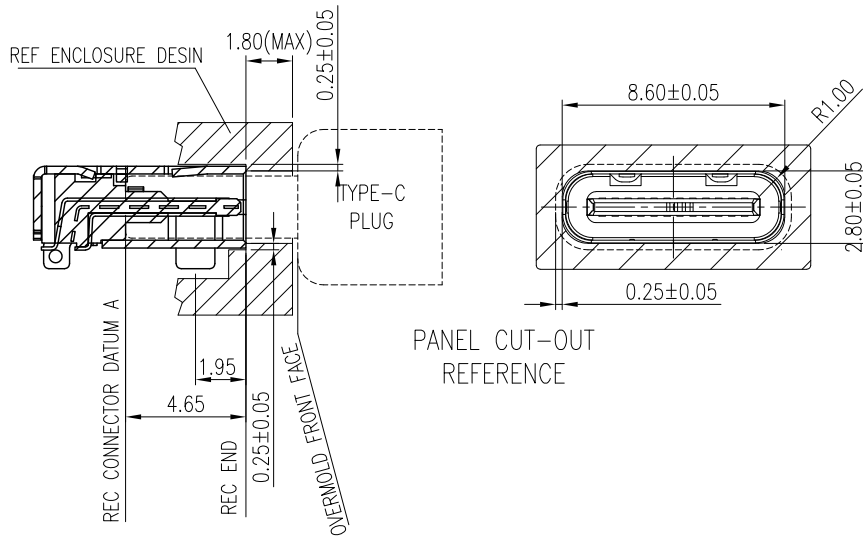
This document is the property of Amphenol Corporation and is delivered on the express condition that is not to be disclosed, reproduced or used, in whole or in part, for manufacture or sale by anyone other than Amphenol Corporation without its prior consent, and that no right is granted to disclose or to use any information in this document.

The marking on this product doesn't contain environmental hazardous materials per directive 2011/65/EU & 2015/863/EU for RoHS compliant and per IEC 61249-2-21 for Halogen-Free compliant.

FOR REFERENCE ONLY



REVISIONS				
SYM	ECN No.	DESCRIPTION	DATE	BY
AX1	EDSR#11452	NON-RELEASE REVISION	2021-09-08	Debby Hung
AX2	EDSR#11546	UPDATE CARRIER VIEW	2021-10-15	Debby Hung
AX3	EDSR#12345	ADD PANEL CUT-OUT REFERENCE	2022-07-21	Debby Hung



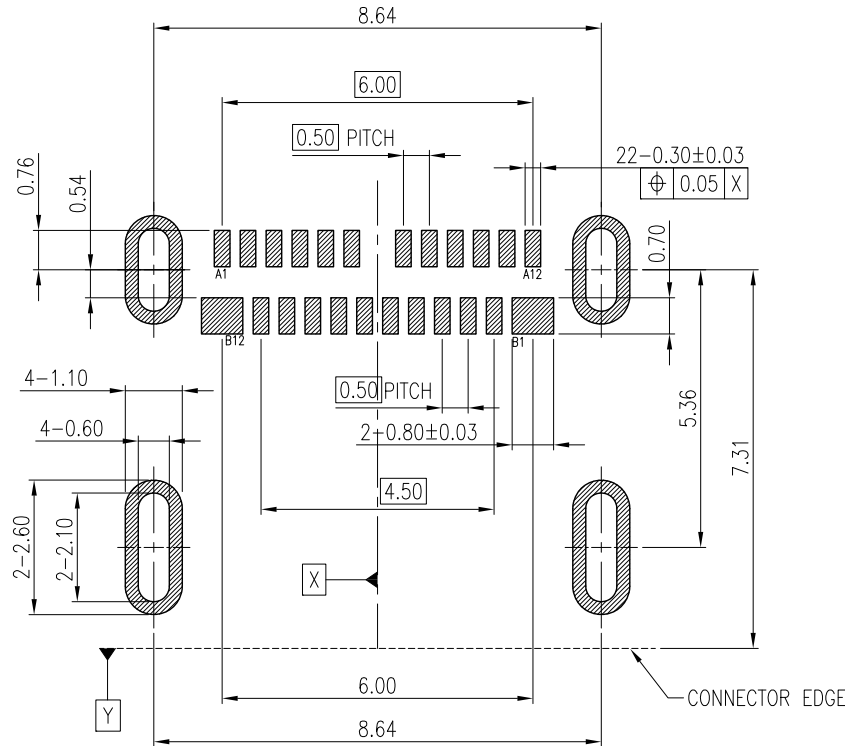
TOLERANCE	APPROVALS	DATE	TITLE	Amphenol®			
X.X ±0.30	DRAWN Debby Hung	2022-07-21	USB 3.2 TYPE C RECEPTACLE TOP MOUNT R/A DOUBLE SMT TYPE (1.66H)	Amphenol Corporation Amphenol Taiwan Corporation			
X.XX ±0.20	CHECKED Joseph Jiang	2022-07-21					
X.XXX ±0.10	APPROVED Roger Tsai	2022-07-21		UNIT mm	SIZE A3	PART No.	GSB3C31X3DSYHR
ANGULAR ±1°	DWG TYPE CUST DWG	PROJECT CODE OTHER	SCALE NA	SHEET 2 OF 4	DWG No.	GSB3C31X3DSYHR	REV. AX3

This document is the property of Amphenol Corporation and is delivered on the express condition that is not to be disclosed, reproduced or used, in whole or in part, for manufacture or sale by anyone other than Amphenol Corporation without its prior consent, and that no right is granted to disclose or to use any information in this document.
The marking on this product doesn't contain environmental hazardous materials per directive 2011/65/EU & 2015/863/EU for RoHS compliant and per IEC 61249-2-21 for Halogen-Free compliant.

FOR REFERENCE ONLY



REVISIONS				
SYM	ECN No.	DESCRIPTION	DATE	BY
AX1	EDSR#11452	NON-RELEASE REVISION	2021-09-08	Debby Hung
AX2	EDSR#11546	UPDATE CARRIER VIEW	2021-10-15	Debby Hung
AX3	EDSR#12345	ADD PANEL CUT-OUT REFERENCE	2022-07-21	Debby Hung



PIN ASSIGNMENT											
A1	A2	A3	A4	A5	A6	A7	A8	A9	A10	A11	A12
GND	TX1+	TX1-	VBUS	CC1	D+	D-	RFU1	VBUS	RX2-	RX2+	GND
GND	RX1+	RX1-	VBUS	SBU2	D-	D+	CC2	VBUS	TX2-	TX2+	GND
B12	B11	B10	B9	B8	B7	B6	B5	B4	B3	B2	B1

RECOMMENDED PCB LAYOUT (TOP VIEW)
TOLERANCE: ±0.05mm
(PCB THICKNESS 0.80±0.05mm)
(SCALE 2:1)

TOLERANCE	APPROVALS	DATE	TITLE		Amphenol®	
X.X ±0.30	DRAWN Debby Hung	2022-07-21	USB 3.2 TYPE C RECEPTACLE TOP MOUNT R/A DOUBLE SMT TYPE (1.66H)		Amphenol Corporation Amphenol Taiwan Corporation	
X.XX ±0.20	CHECKED Joseph Jiang	2022-07-21				
X.XXX ±0.10	APPROVED Roger Tsai	2022-07-21				
ANGULAR ±1°	DWG TYPE CUST DWG	PROJECT CODE OTHER	UNIT mm	SIZE A3	PART No. GSB3C31X3DSYHR	
UNLESS OTHERWISE SPECIFIED			SCALE NA	SHEET 3 OF 4	DWG No. GSB3C31X3DSYHR REV. AX3	

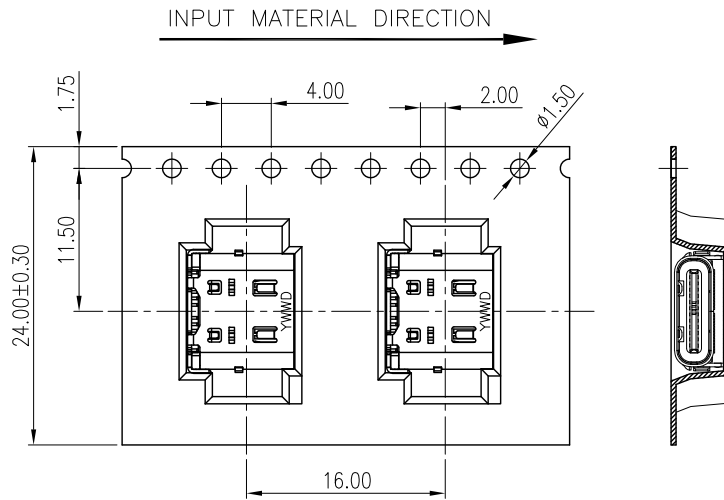
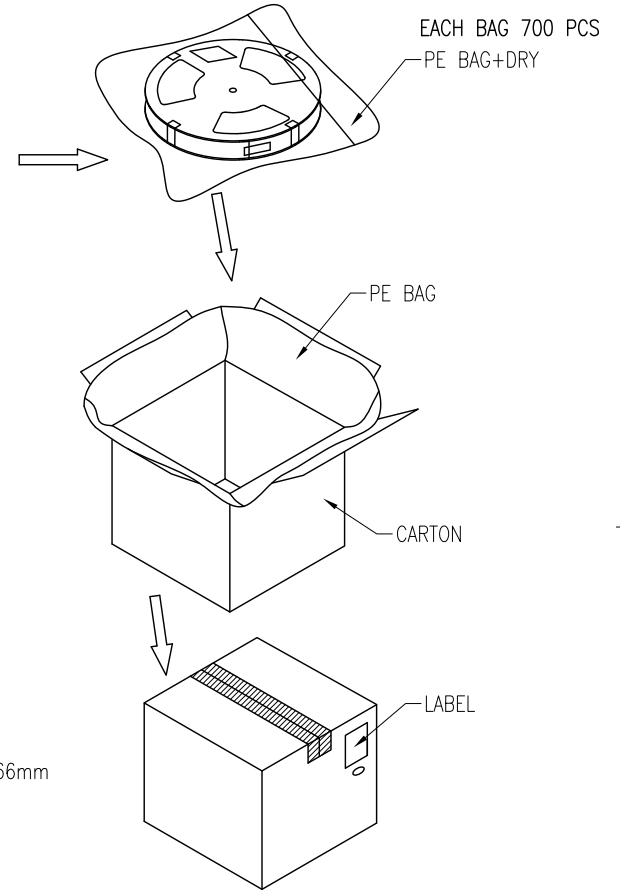
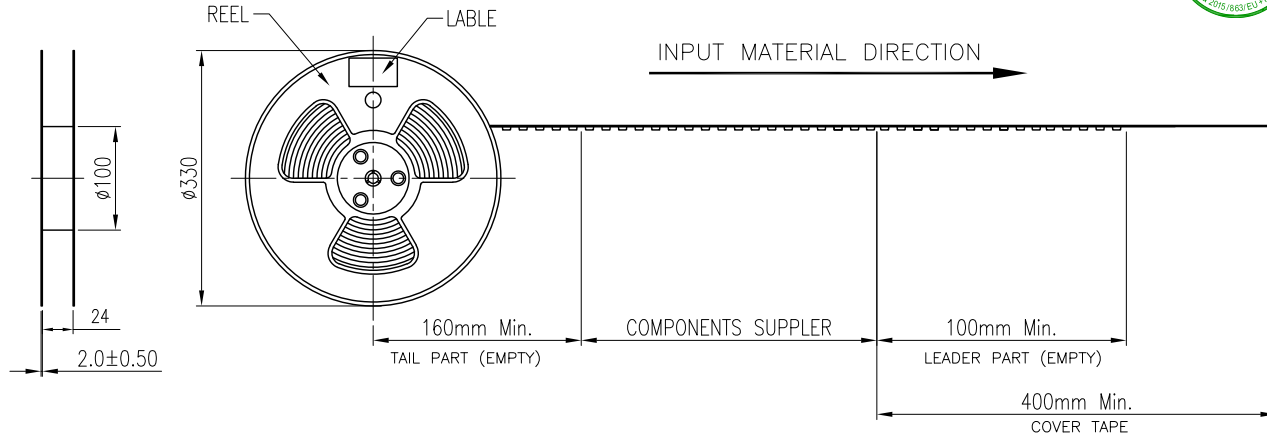
This document is the property of Amphenol Corporation and is delivered on the express condition that is not to be disclosed, reproduced or used, in whole or in part, for manufacture or sale by anyone other than Amphenol Corporation without its prior consent, and that no right is granted to disclose or to use any information in this document.

The marking on this product doesn't contain environmental hazardous materials per directive 2011/65/EU & 2015/863/EU for RoHS compliant and per IEC 61249-2-21 for Halogen-Free compliant.

FOR REFERENCE ONLY



REVISIONS				
SYM	ECN No.	DESCRIPTION	DATE	BY
AX1	EDSR#11452	NON-RELEASE REVISION	2021-09-08	Debby Hung
AX2	EDSR#11546	UPDATE CARRIER VIEW	2021-10-15	Debby Hung
AX3	EDSR#12345	ADD PANEL CUT-OUT REFERENCE	2022-07-21	Debby Hung



CARTON SIZE 338mm X 338mm X 166mm
EACH CARTON PACKAGE 3500 PCS

NOTES :

1. THE COVER TAPE OF TAPE SHALL HAVE A TOTAL PEEL STRENGTH OF FROM 10~130G.
2. THE DIRECTION OF PULL SHALL BE OPPOSITE THE DIRECTION OF CARRIER TAPE TRAVEL SUCH THAT THE COVER TAPE MAKES AN ANGLE OF BETWEEN 165 AND 180 DEGREES WITH THE TOP OF THE CARRIER TAPE.
3. PEELING SPEED : 300MM/MINUTES.
4. ALL DIMENSIONS MEET EIA-418-D REQUIREMENTS.

PACKAGING BY T&R	5.5	4.5	700	5	3500	GSB3C31X3DSYHR
	G/W KG	N/W KG	PCS/ REEL	REELS/ BOX	QUANTITY (PCS)	PART NUMBER

TOLERANCE	APPROVALS	DATE	TITLE		Amphenol®		
X.X ±0.30	DRAWN Debby Hung	2022-07-21	USB 3.2 TYPE C RECEPTACLE TOP MOUNT R/A DOUBLE SMT TYPE (1.66H)		Amphenol Corporation Amphenol Taiwan Corporation		
X.XX ±0.20	CHECKED Joseph Jiang	2022-07-21					
X.XXX ±0.10	APPROVED Roger Tsai	2022-07-21					
ANGULAR ±1°	DWG TYPE CUST DWG	PROJECT CODE OTHER	UNIT mm	SCALE NA	SIZE A3	PART No. GSB3C31X3DSYHR	REV. AX3
UNLESS OTHERWISE SPECIFIED			SHEET 4 OF 4	DWG No. GSB3C31X3DSYHR			