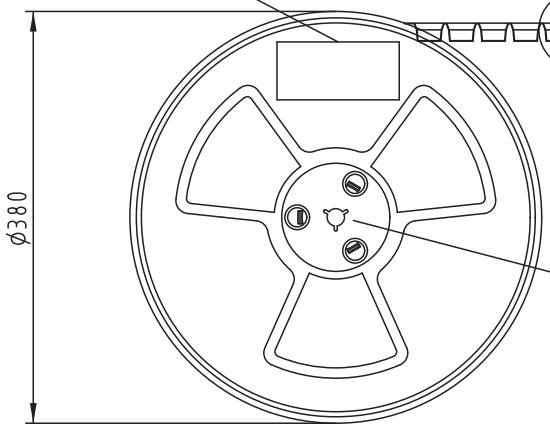
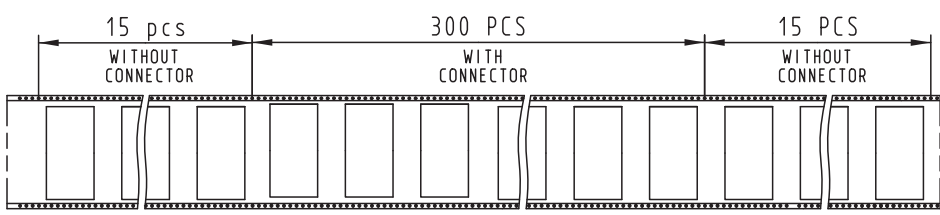
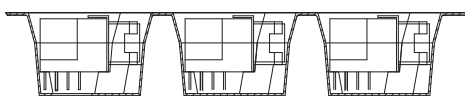
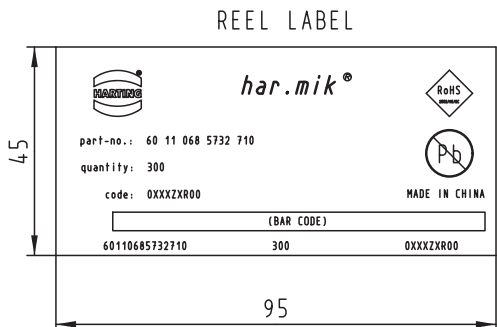
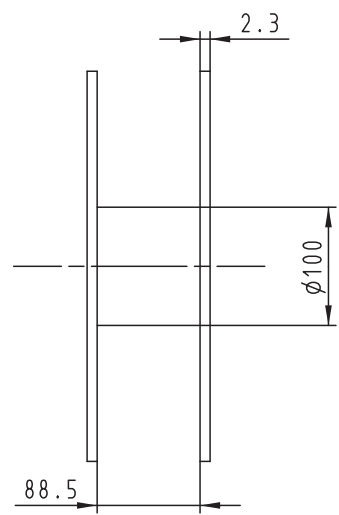
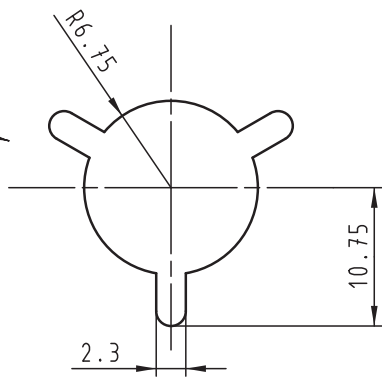


All rights reserved



DIRECTION OF UNREELING →



Packaging in accordance with EIA 481-2-A tape & reel packaging for gripping process

1) see TB 60 11 068 5732 folio 1/2 for connector dimensions and PCB layout

60 11 068 5732.710	in reel unit packaging 300 connectors
Part Number	Index designation

	Techn. Character.			Free size tolerances	
		Det.	Name	Scale 2:1	har.mik® I/O bellow 68P Har.mik female SMC with angled solder pins, thread hole M2.5, fixed latches
		Detail.	29-OCT-09 J.Sheng		
		Insp.	18-Nov-09 S.W		
	Stand.	18-Nov-09 S.W			
ECO1926	31-May-10	K.Luo	Zhuhai Harting Limited		TB 60 11 068 5732
31770	29-OCT-09	J.Sheng			
Mod.	Dat.	Name			Page 2/2