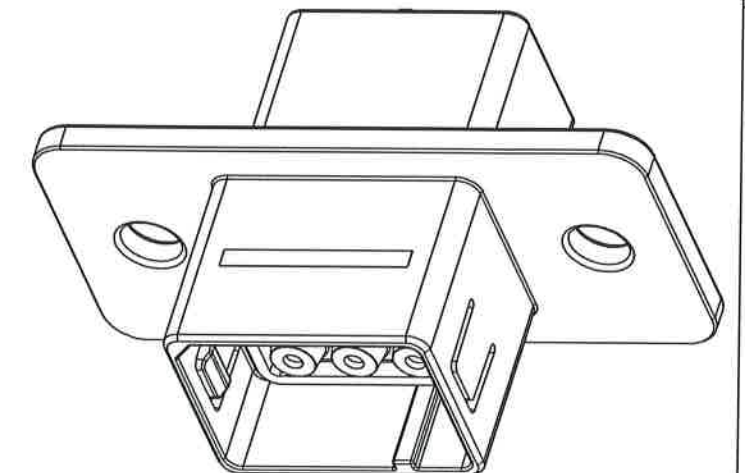
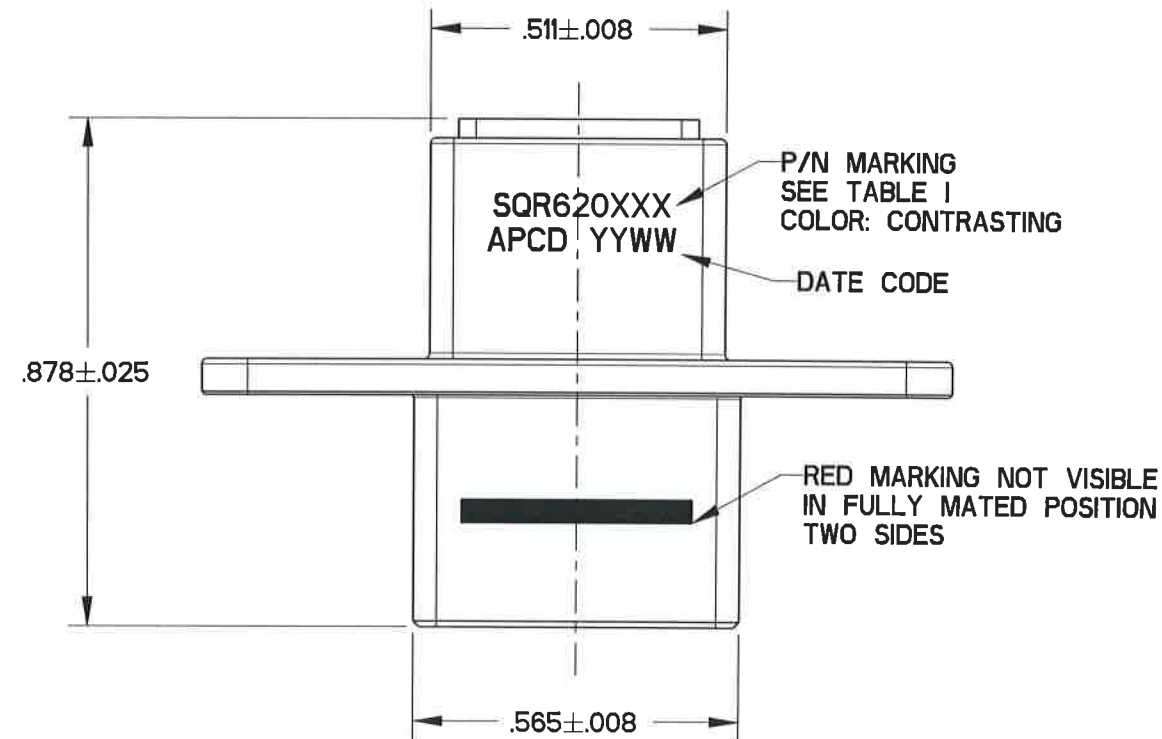
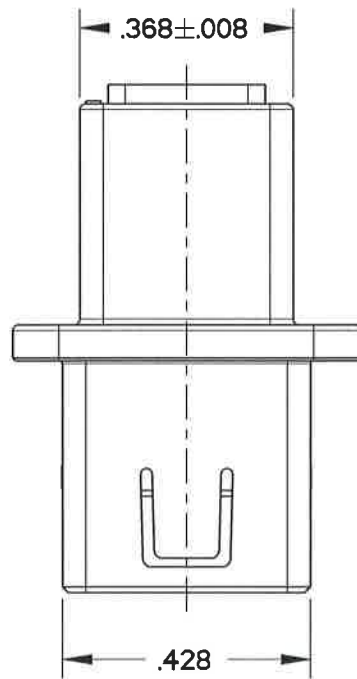
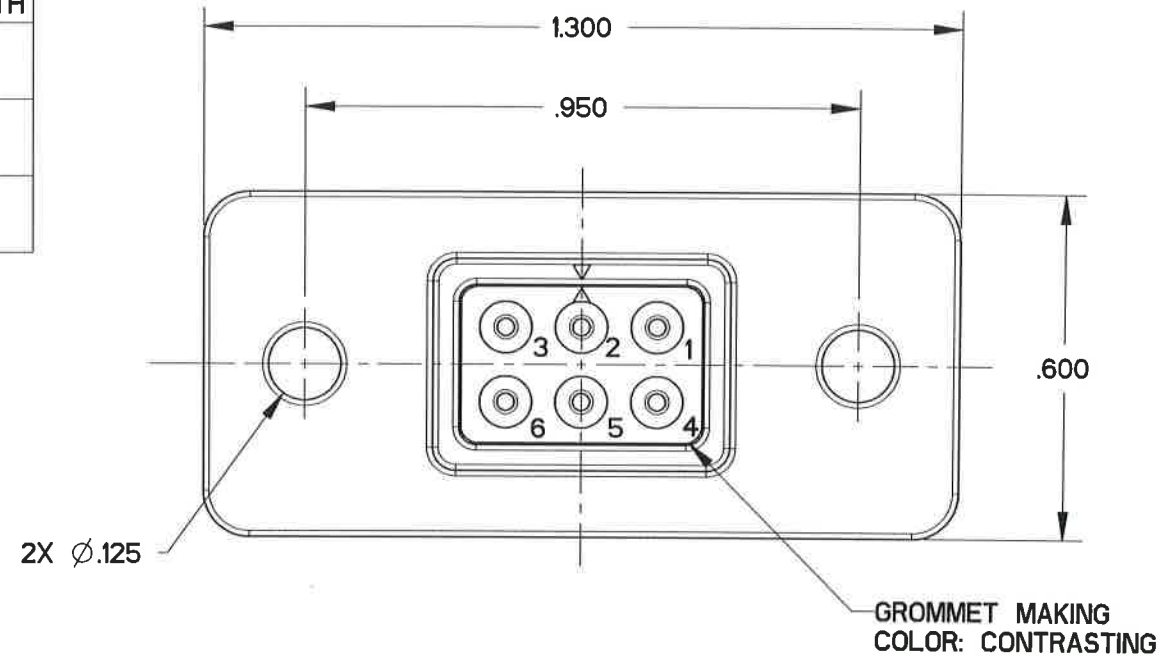


SQR620700

REV	ECN	APP'D
-	8175	WLC 11/10/17

TABLE I - PART NUMBER SCHEME

APCD P/N	CONTACTS SUPPLIED	COLOR / KEY	P/N MARKING	PART MATES WITH
SQR620721	(6) M39029/58-363	WHITE / C	SQR620720	SQR620170
SQR620720	NONE			
SQR620711	(6) M39029/58-363	GREEN / B	SQR620710	SQR620160
SQR620710	NONE			
SQR620701	(6) M39029/58-363	BLACK / A	SQR620700	SQR620150
SQR620700	NONE			



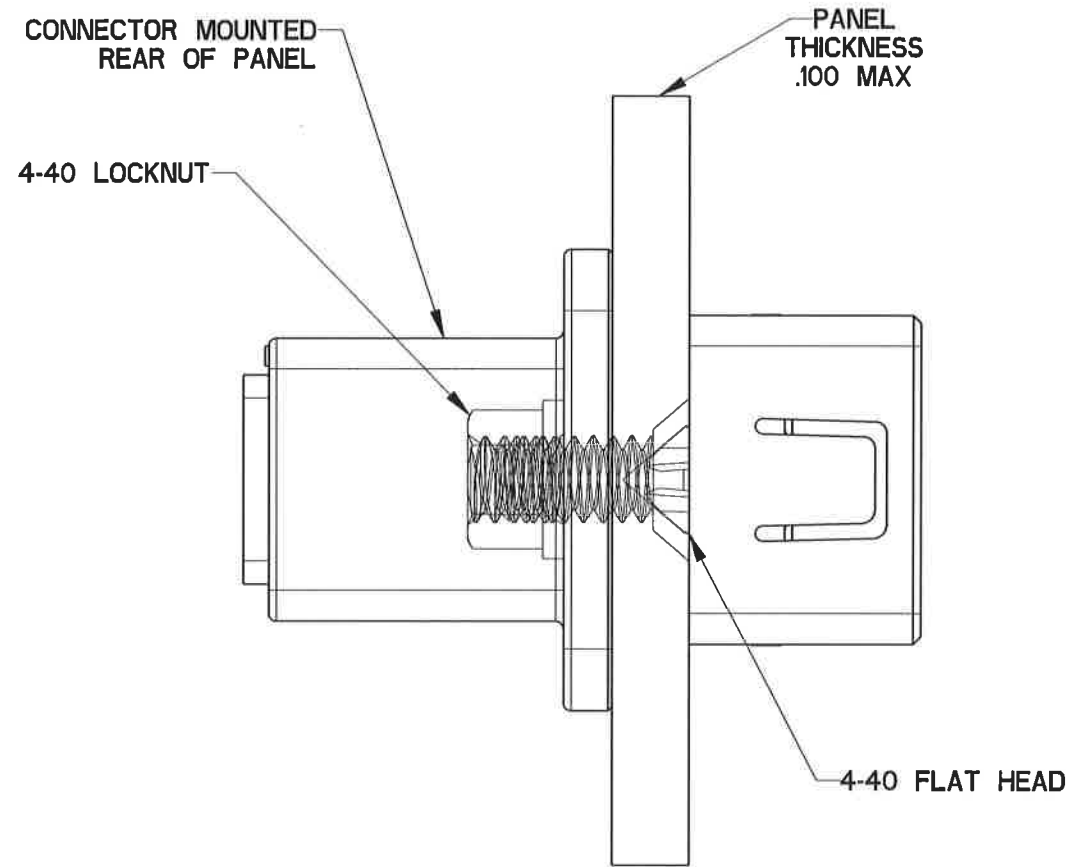
NOTES:

- MATERIALS:
 OUT HOUSING: POLYETHERIMIDE
 INNER HOUSING: POLYETHERIMIDE
 CONTACT RETAINER: STAINLESS STEEL
 GROMMET & FACE SEAL: SILICONE RUBBER PER A-A-59588
- PART ACCEPTS M39029/58-363 CONTACTS
- WEIGHT: 3.5g

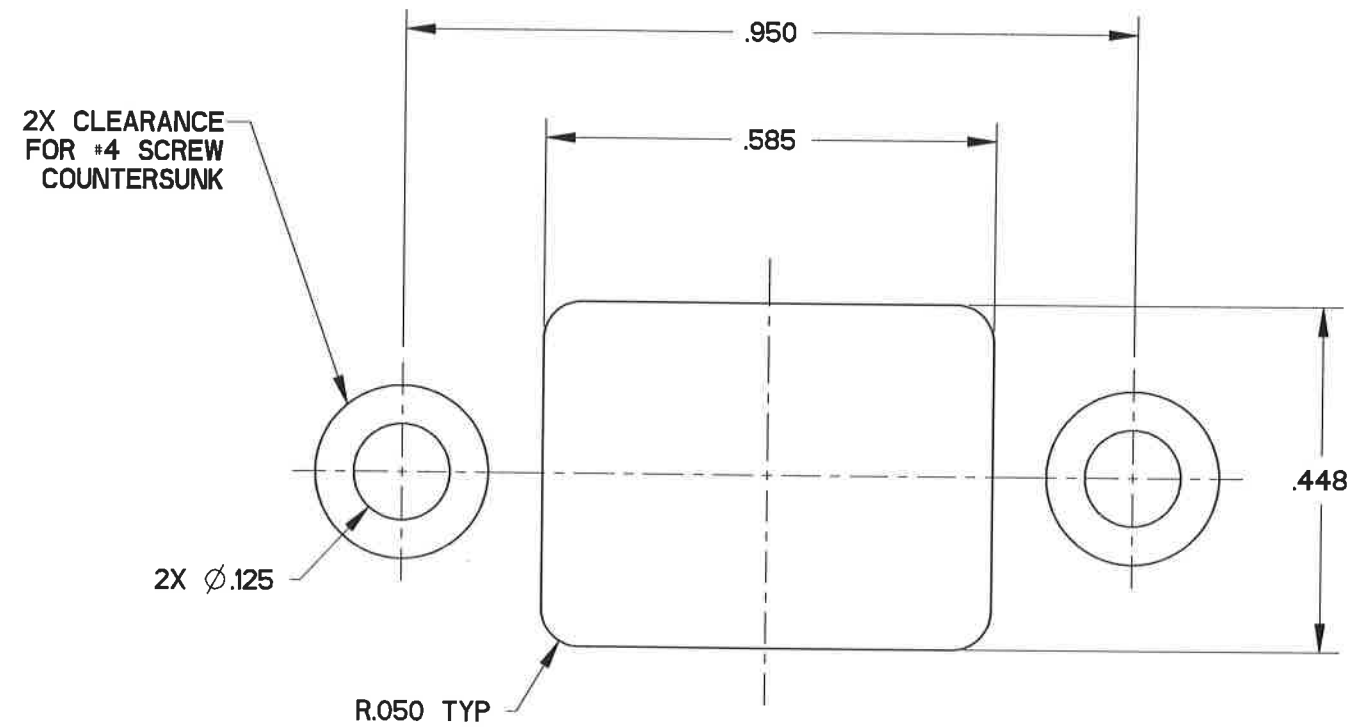
DIMENSIONS ANSI Y14.5M UNITS: INCHES Pro/E FILE	TOLERANCES .XX ±0.01 .XXX ±0.005 ANGLES ±2.0°	PROJECTION 	Amphenol Pcd SPECIFICATION DRAWING		TITLE 6 POS SIZE 20 RECEPTACLE FLANGE REAR MOUNT WITH PIN CONTACTS SQR SIZE 2		
			ENGR MICKEY ZHANG Jun-29-17	CHKD 11/10/17	APPD 11/10/17	SIZE B	DWG NO. SQR620700
ORIGINAL	THIS DOCUMENT CONTAINS PROPRIETARY INFORMATION WHICH IS THE CONFIDENTIAL PROPERTY OF AMPHENOL PCD INC., BEVERLY, MA		CODE: 58982	SCALE: 8:3	SHEET 1 OF 2		

SQR620700

SQR620700



PANEL MOUNTING RECOMMENDATIONS



RECOMMENDED PANEL CUT OUT FOR HARDWARE INSTALLATION

SIZE B	DWG NO. SQR620700	REV -
CODE: 58982	SCALE: 8:3	SHEET 2 OF 2