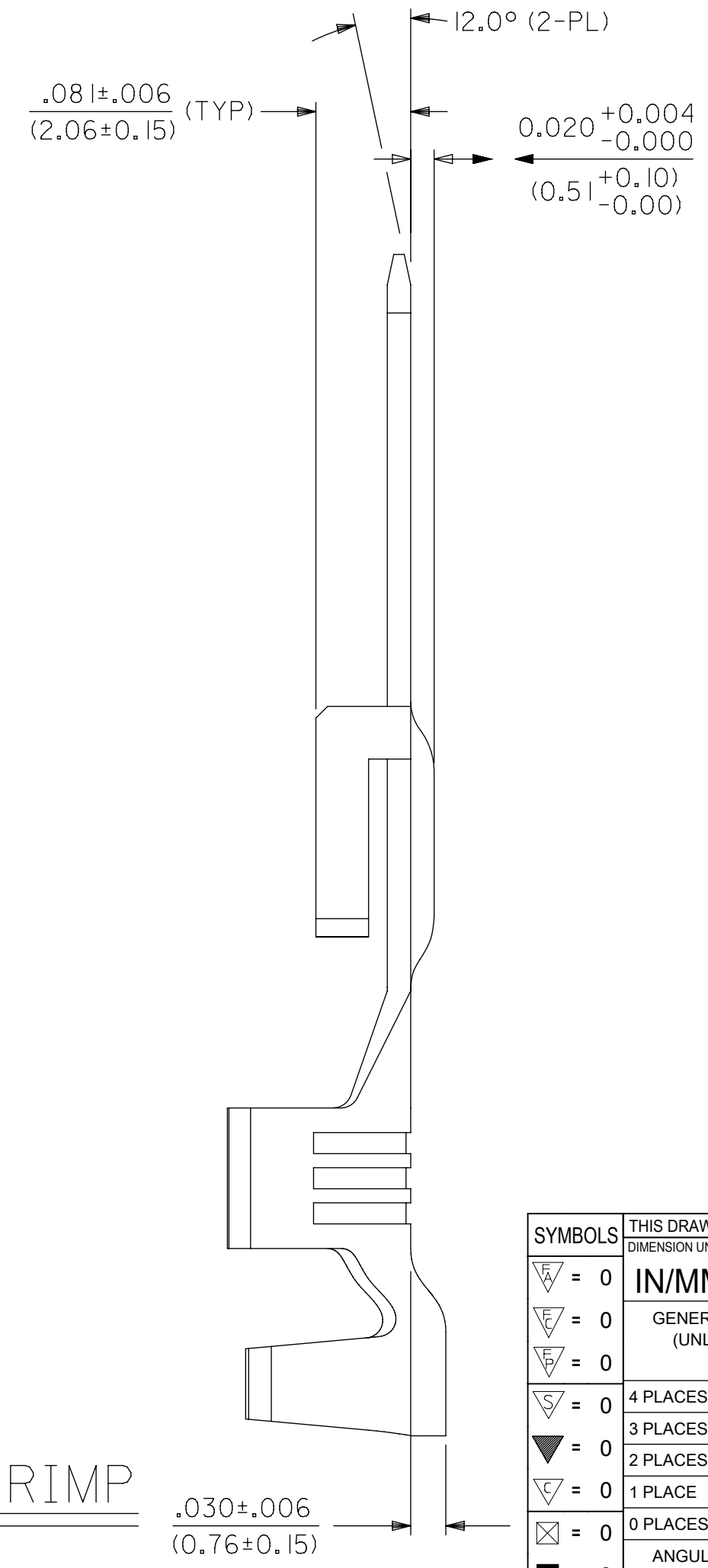
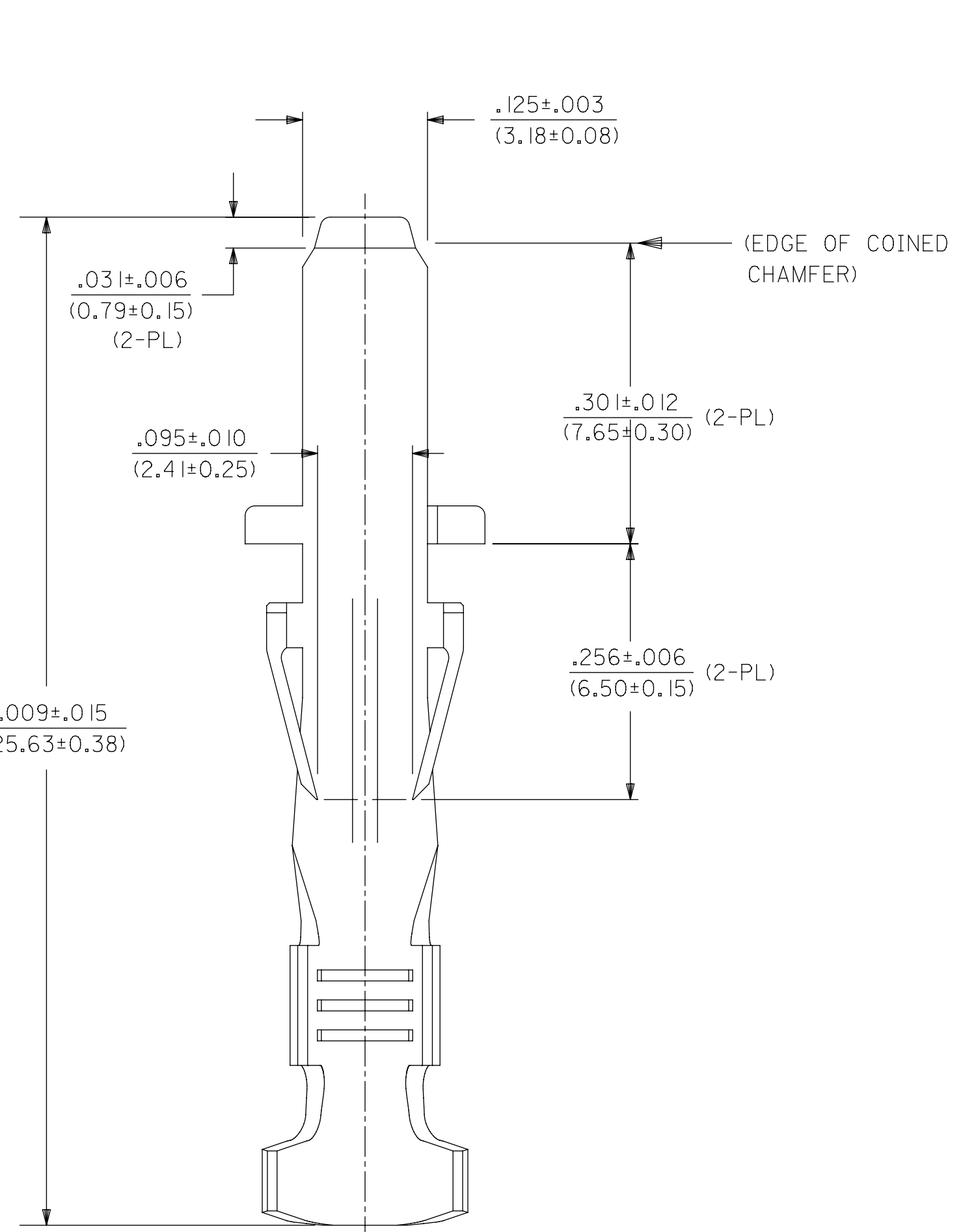
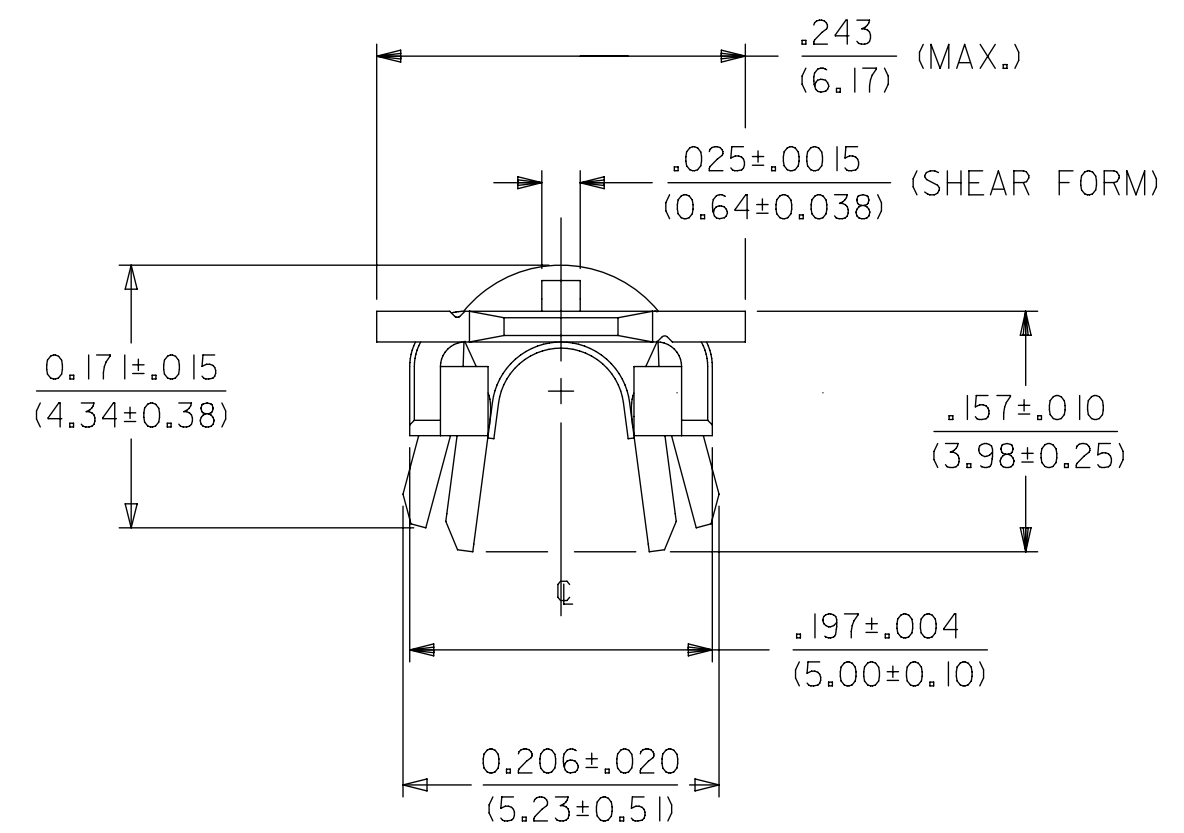


MATERIAL NUMBER	FINISH	HOLE
43178-5001	999	NOT USED
43178-5002	H901	NOT USED



- NOTES:**
1. MATERIAL: BRASS
 2. FINISH:
999 - UNPLATED
H901 - 20 MICROINCH MIN. HOT TIN DIP
 3. PRODUCT SPECIFICATION: PS-44441-9999
 4. PACKAGING SPECIFICATION: 431780000-PK
 5. TERMINAL FOR USE IN 43680 SERIES HOUSINGS
 6. TERMINAL FOR USE WITH A SINGLE 18 AWG UL TYPE 1015 WIRE, HAVING A MAXIMUM INSULATION DIAMETER OF .130/(3.30).
 7. TERMINAL FOR USE WITH SABRE SERIES HOUSINGS AND APPLICATIONS REQUIRING TERMINALS TO MEET UL1950 SPACING REQUIREMENTS.
 8. PARTS CONFORM TO CLASS "B" REQUIREMENTS OF COSMETIC SPECIFICATIONS PS-45499-002

SMALL INSULATION CRIMP

SYMBOLS	THIS DRAWING CONTAINS INFORMATION THAT IS PROPRIETARY TO MOLEX ELECTRONIC TECHNOLOGIES, LLC AND SHOULD NOT BE USED WITHOUT WRITTEN PERMISSION				
	DIMENSION UNITS	SCALE	CURRENT REV DESC: ADD NOTES		
∇ = 0	IN/MM	8:1	molex TERMINAL, CRIMP, MALE TAB .125/(3.18) X .020/(0.51) SABRE - F.B.S. - T.P.A. PRODUCT CUSTOMER DRAWING		
∇ = 0	GENERAL TOLERANCES (UNLESS SPECIFIED)				
∇ = 0		MM			INCH
∇ = 0	4 PLACES	±			±
∇ = 0	3 PLACES	±	± 0.01		
∇ = 0	2 PLACES	± 0.25	± 0.014		
∇ = 0	1 PLACE	± 0.35	±		
∇ = 0	0 PLACES	±	±		
∇ = 0	ANGULAR TOL	± 0.5°	EC NO: 617584 DRWN: JEHRISMAN 2019/04/02 CHK'D: MKIPPER 2019/06/13 APPR: FSMITH 2019/06/18 INITIAL REVISION: DRWN: BW 2002/04/05 APPR: FSMITH 2002/04/05		
∇ = 0	DRAFT WHERE APPLICABLE MUST REMAIN WITHIN DIMENSIONS		THIRD ANGLE PROJECTION	DRAWING SERIES	
			C-SIZE	43178	
DOCUMENT STATUS		P1	RELEASE DATE	2019/06/18 16:00:35	
DOCUMENT NUMBER		DOC TYPE	DOC PART	REVISION	
SD-43178-5XXX		PSD	001	A2	
MATERIAL NUMBER		CUSTOMER	SHEET NUMBER		
SEE TABLE		WHIRLPOOL	1 OF 1		