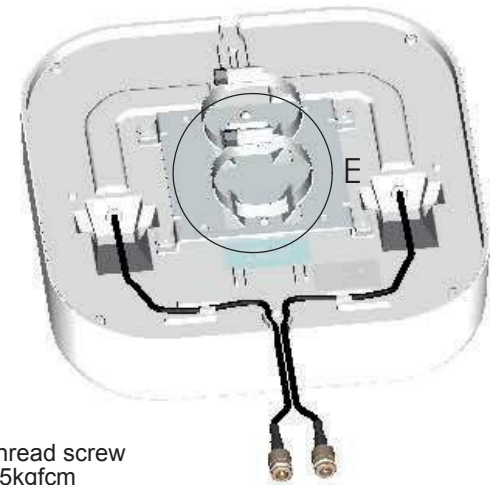
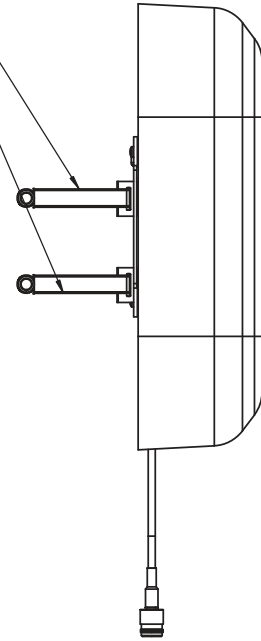
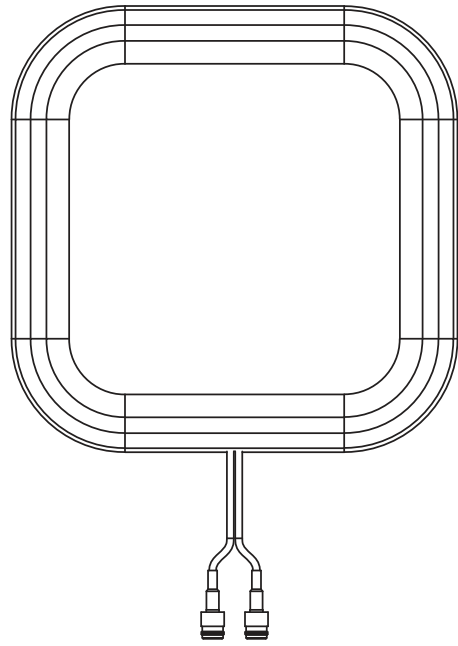
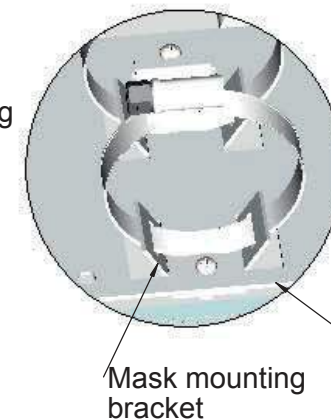
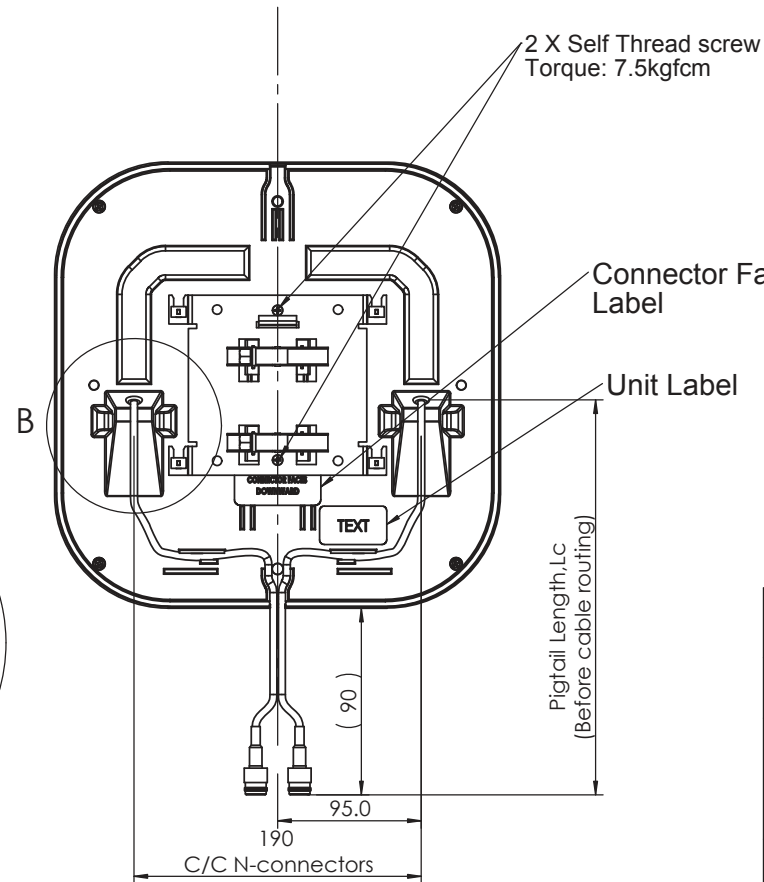
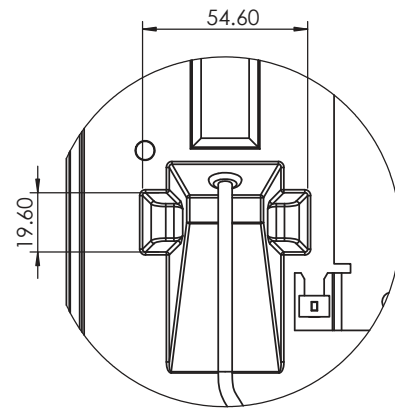
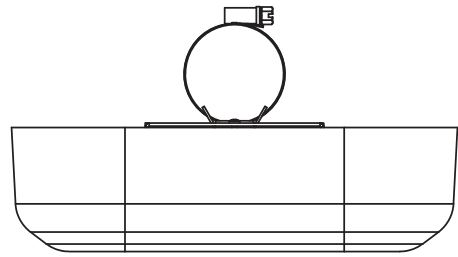


Pole mount:

Stainless Steel Hose Clamp (2X)
Diameter Range: 46~70



APPROVED



Low profile Wall mounting bracket

Parameter	Specification
TE Model Number :	PAS69278-91NF
Frequency:	698-960/1710-2700
Gain:	
698-960 MHz	7.8-9.3 dBi
1710-2700 MHz	5.8-9.0 dBi
VSWR:	2.0:1 Maximum
Polarization:	Slant ± 45°
Beamwidth - Elevation:	
698-960 MHz	55-70 degrees
1710-2700 MHz	50-80 degrees
Beamwidth - Azimuth:	
698-960 MHz	55-70 degrees
1710-2700 MHz	50-80 degrees
Isolation:	>25 dB
F/B Ratio, Co-Pol:	
698-960 MHz	>23 dB
1710-2700 MHz	>17 dB
Cross-Polarization, Axial:	
698-960 MHz	>25 dB
1710-2700 MHz	>17 dB, Typical >23 dB
Power:	2 x 10W
Dimensions:	295x295x82 mm
Mounting:	Wall/pole mounting, hardware/brackets
Weight:	1.7 kg (est)
Connector type:	N-type Female (2X)
Cable Type	RG58 (Plenum Rated)
Pigtail Length, Lc	910±20mm
IP Class:	IP20
Temperature:	-40 ~ +70°C
Environmental Conditions:	ETSI EN 300 019-1-1, class 1.1
Wind rating (Operating):	150km/h (93mph)
Radome & Base plastic:	UL94 V0 rated
Radome & Base color:	White, Color code (SABIC) WH9B034

MATERIAL		GENERAL SURFACE ROUGHNESS ISO 1302	
SURFACE TREATMENT		Ra (µm)	
DESIGNED BY / CHANGED BY		SHARP EDGES REMOVED UNLESS OTHERWISE STATED	
Ulf Palin / WT NG		GENERAL TOLERANCE ISO 2768 m	
APPROVED LL Tech		ORIGIN DATE	
PRODUCT NAME		03-26-13	
PAS69278-91NF		PAGE	
REV DATE		1 / 2	
DOC - ID		REVISION	
PAS69278-91NFMO		AA	

THIS DRAWING IS UNPUBLISHED.
© Copyright 2022 TE Connectivity Ltd.

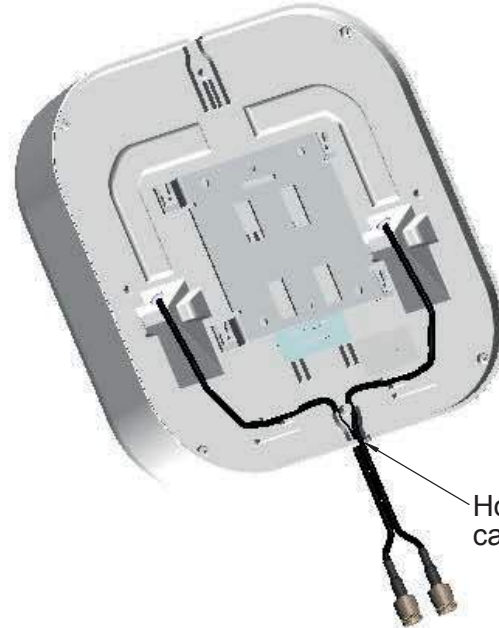
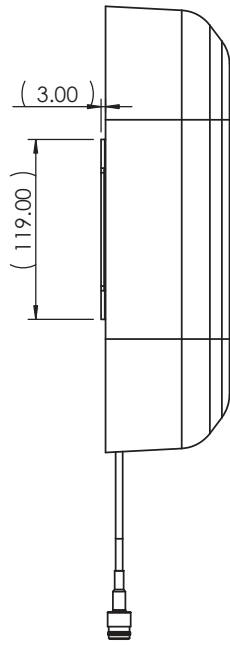
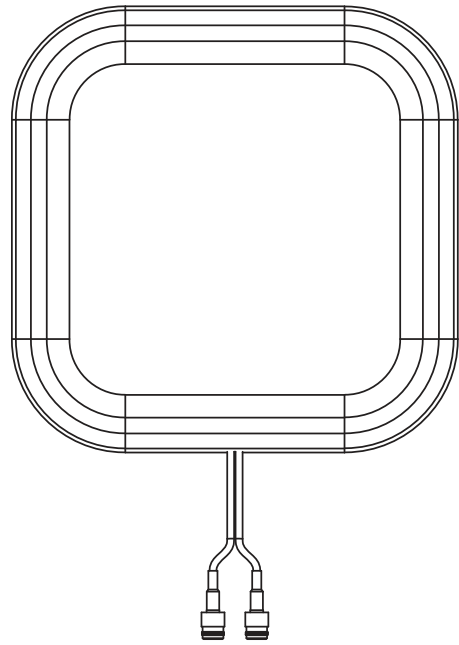
DETAIL B
SCALE 2 : 5

CUSTOMER PART NO:
CUSTOMER REVISION:

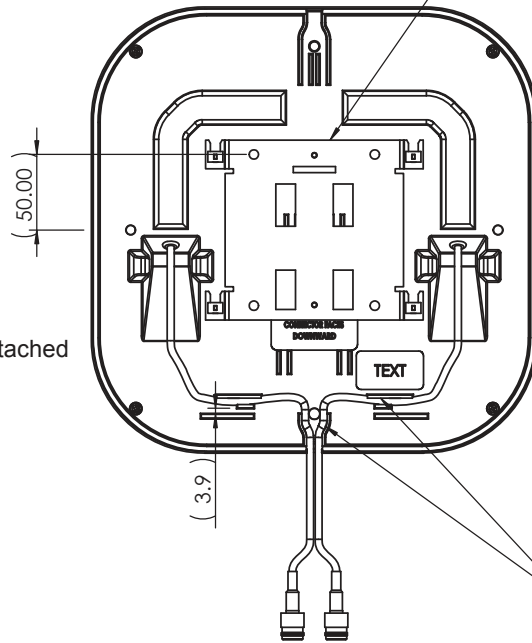
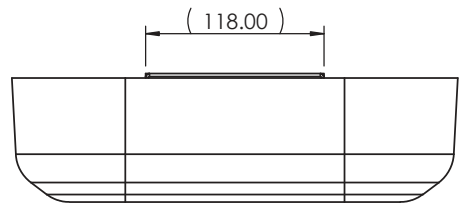
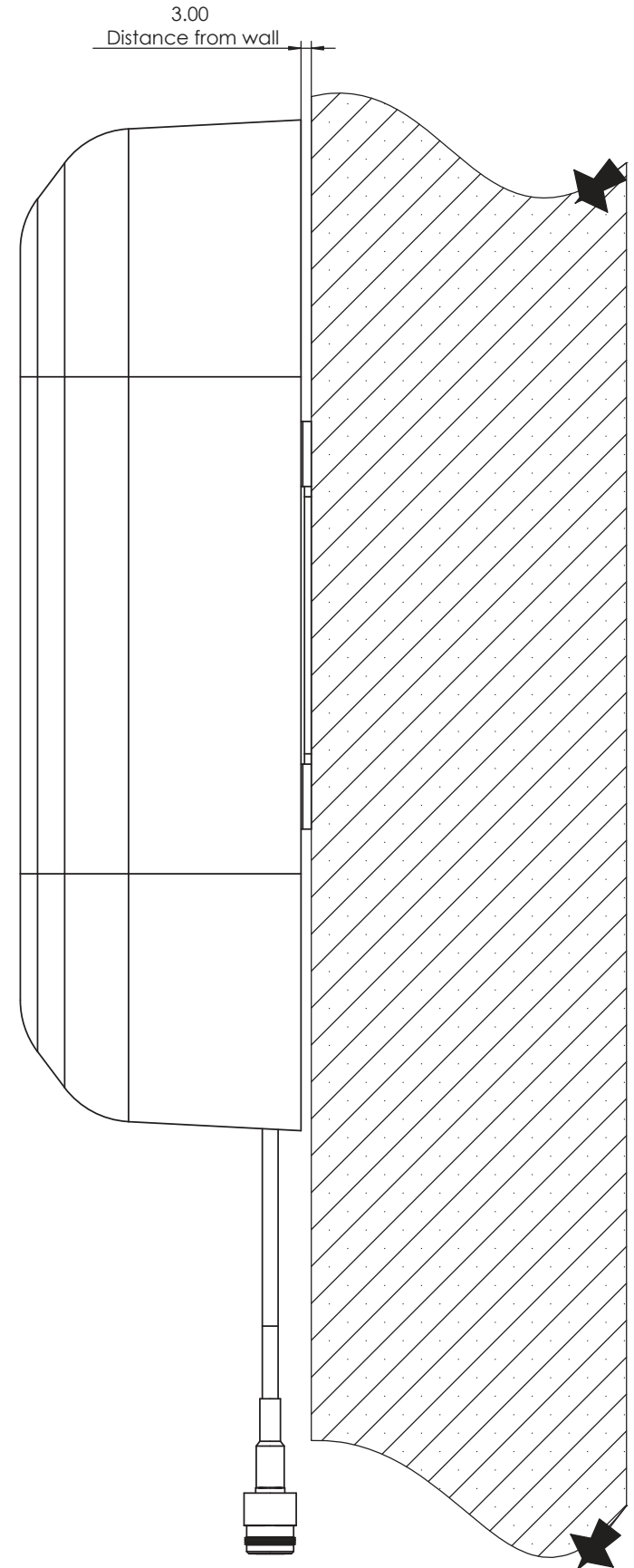
RELEASED FOR PUBLICATION
ALL RIGHTS RESERVED.



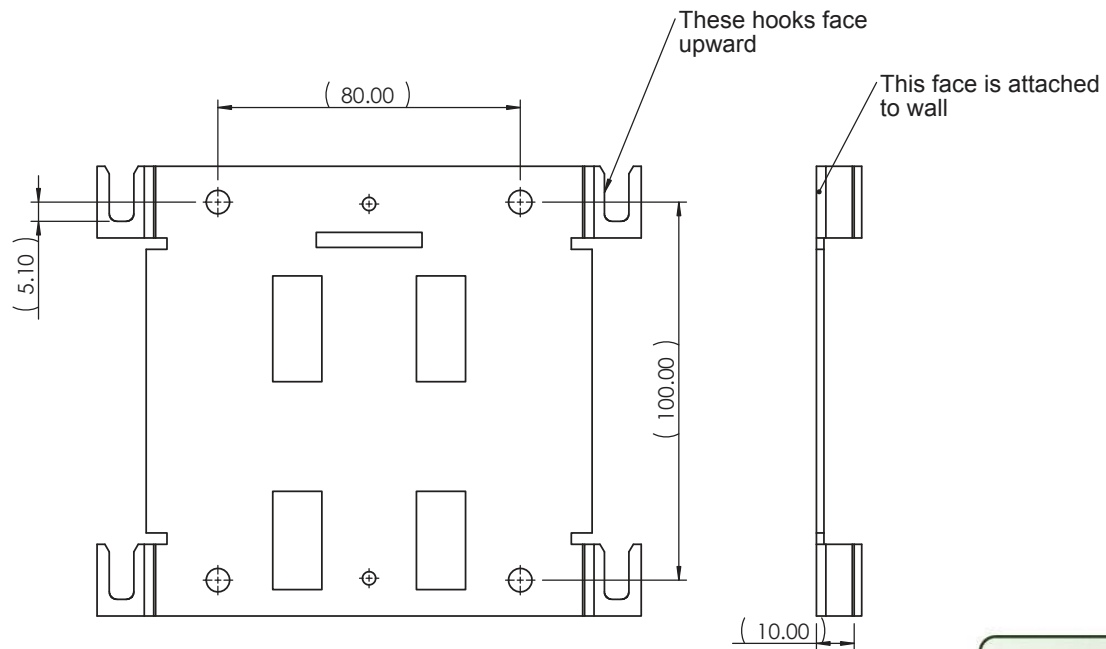
Wall mount: Antenna is hooked up to Wall mounting bracket



Wall Mounting Bracket.
To be installed on wall
with supplied #6 X1.25" screws and anchors.
Dims and location is shown below.



Ribs for cable dressing
Cable to be routed to
bottom side as per
illustrated.



**Low profile Wall Mounting Bracket:
Drilling dims and Orientation**

APPROVED

THIS DRAWING IS UNPUBLISHED.
 © Copyright 2022 TE Connectivity Ltd.
 RELEASED FOR PUBLICATION
 ALL RIGHTS RESERVED.

CUSTOMER PART NO:
CUSTOMER REVISION:

	FORMAT A3	DESIGNED BY / CHANGED BY Ulf Palin / WT NG	GENERAL TOLERANCE ISO 2768 m
	SCALE APPROVED	APPROVED LL Teoh	ORIGIN DATE PAGE 2 / 2
PRODUCT NAME		REV DATE	REVISION
		DOC - ID	