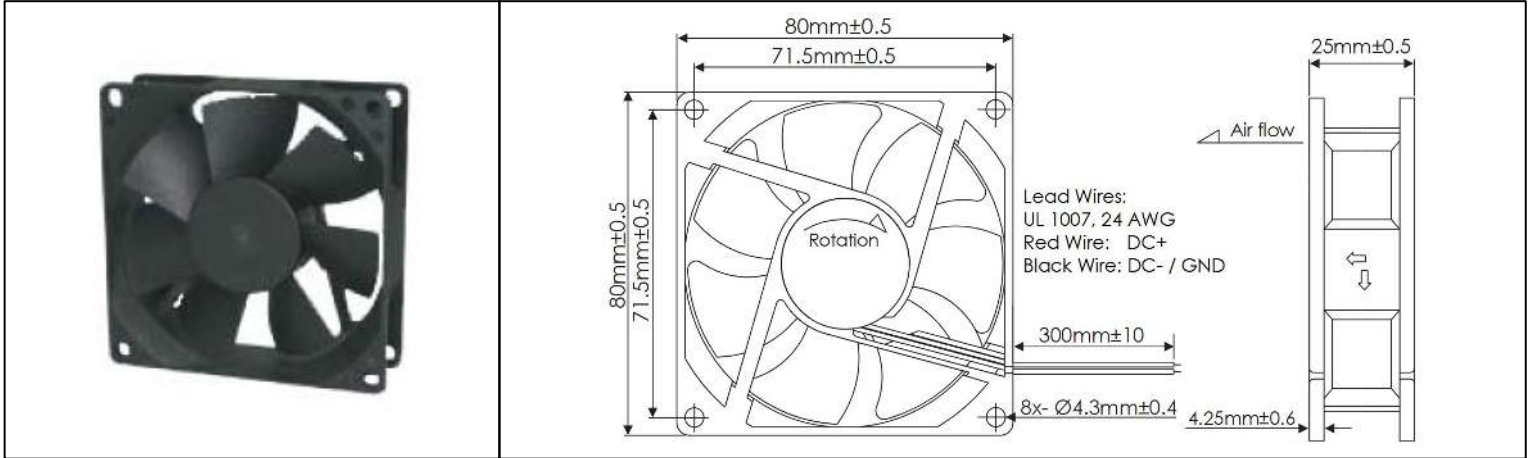


# OD8025 Sealed Sleeve Bearing Series



DC Fans - 12, 24, 48V  
80mm x 80mm x 25mm (3.15" x 1.0")



|                              |   |  |  |
|------------------------------|---|--|--|
| <b>Frame</b>                 | PBT, UL94 V-0 Plastic   | <b>Operating Temperature</b><br>-20°C ~ +65°C<br><br><b>Storage Temperature</b><br>-25°C ~ +75°C<br><br><b>Life Expectancy</b><br>45,000 Hours (L10 at 45°C)<br><br><b>Available Options</b><br>Tachometer Output<br>Alarm Output<br>PWM Speed Control Input<br>Other Speeds<br><br>Weight: 0.19 lbs |  |
| <b>Impeller</b>              | PBT, UL94 V-0 Plastic   |  |  |
| <b>Connection</b>            | 2x Lead Wires, 24 AWG   |  |  |
| <b>Motor</b>                 | Brushless DC, Auto Cutoff, Auto Restart, Polarity Protected, Electronically Protected |  |  |
| <b>Bearing System</b>        | Sealed Sleeve Bearings  |  |  |
| <b>Dielectric Strength</b>   | 500VDC/min, <1mA  |  |  |
| <b>Insulation Resistance</b> | ≥10MΩ @ 500V DC   |  |  |

| Part Number  | Rated Voltage (Volts DC) | Voltage Range (Volts DC) | Input Power (Watts) | Rated Current (Amps) | Rated Speed (RPM) | Max Airflow (CFM) | Noise Level (dBA) | Max Static Pressure ("H <sub>2</sub> O) |
|--------------|--------------------------|--------------------------|---------------------|----------------------|-------------------|-------------------|-------------------|---|
| OD8025-12HSS | 12                       | 8 ~ 13.8                 | 2.2                 | 0.18                 | 3300              | 40.1              | 33                | 0.23                                    |
| OD8025-24HSS | 24                       | 14 ~ 26.4                | 2.9                 | 0.12                 | 3300              | 40.1              | 33                | 0.23                                    |
| OD8025-48HSS | 48                       | 34 ~ 52.8                | 3.8                 | 0.07                 | 3300              | 40.1              | 33                | 0.23                                    |