

SL Series Sealed Interlock Door Switches

NEW



Features/Benefits

- IP60/IP67 rated
- From 0.1A to 10A max.
- AC or DC rating voltage
- Push (MOM)/pull motion (maintained)
- Threaded or non-threaded plunger
- SPDT or DPDT (extended SS bracket)
- Integrated wire harness solution

Typical Applications

- Air conditioner
- Food processor
- Industrial equipment
- Forklifts
- Panel builders
- Industrial enclosures

Specifications

ELECTRICAL LIFE: 10,000 cycles

CONTACT RATING: 0.1A @ 125/250 VAC or 30VDC; 3A @ 125/250 VAC or 30VDC; 6A @ 125/250 VAC or 30VDC; 10A @ 125/250 VAC or 5A@ 30VDC

ELECTRICAL OPERATING FREQUENCY: 10-30 operations/minute

MECHANICAL LIFE: 1,000,000 operations

MECHANICAL OPERATING FREQUENCY: 120 operations/minute

INSULATION RESISTANCE: (at 500 VDC/minute) 100 M ohm min.

DIELECTRIC STRENGTH: 1,500 VAC (50-60 Hz)

OPERATING TEMPERATURE: -40°C to 85°C (with no icing)

OPERATING FORCE: 200 grams

Materials

MOUNTING BRACKET: Stainless steel

PLUNGER: Stainless steel

SPRING: Copper alloy

SWITCH MATERIALS:

CASE: Nylon

COVER: PBT ACTUATOR: PBT

MOVABLE CONTACT: Silver alloy

TERMINALS: Brass

ROLLER LEVER: Stainless steel

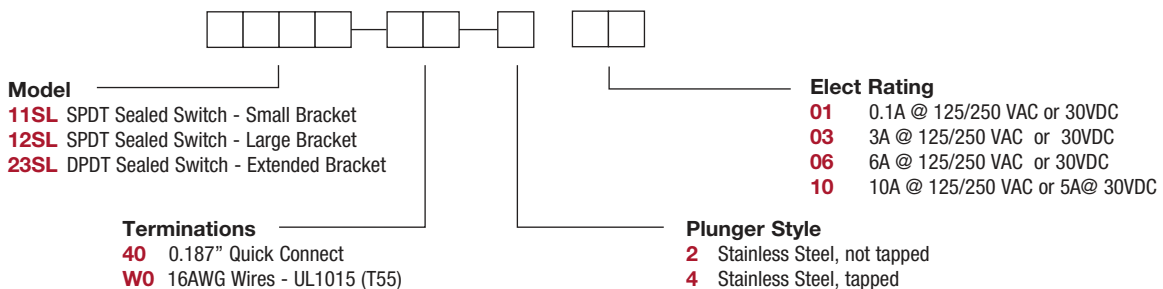
WIRE: PVC + CU



Snap-acting

Build-A-Switch

To order, simply select desired option from each category and place in the appropriate box. For additional options not shown in catalog, consult Customer Service Center.



NEW

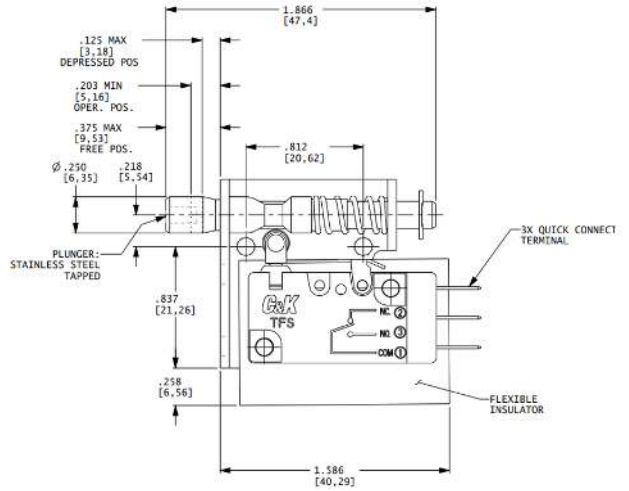
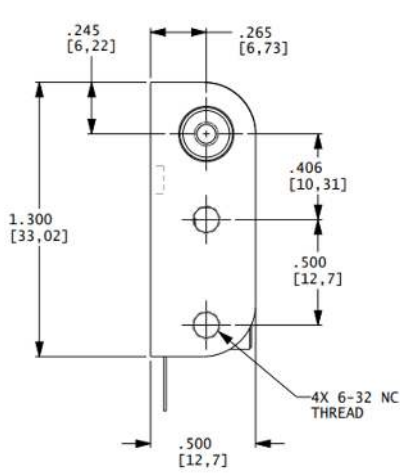
SL Series Sealed Interlock Door Switches

MODEL

11SL WITH SMALL BRACKET



11SL404
SPDT

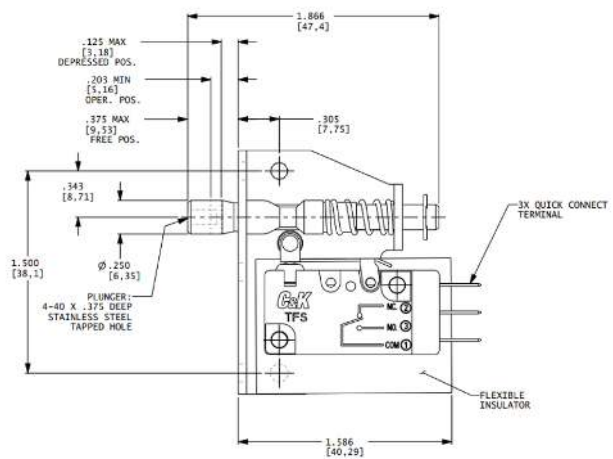
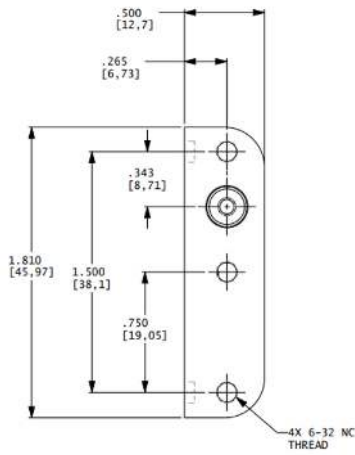


SWITCH CHARACTERISTICS	
OPERATING FORCE LBS MAX	8

12SL WITH LARGE BRACKET



12SL404
SPDT



SWITCH CHARACTERISTICS	
OPERATING FORCE LBS MAX	8



Third Angle
Projection
Dimensions are shown: Inches (mm)
Specifications and dimensions subject to change

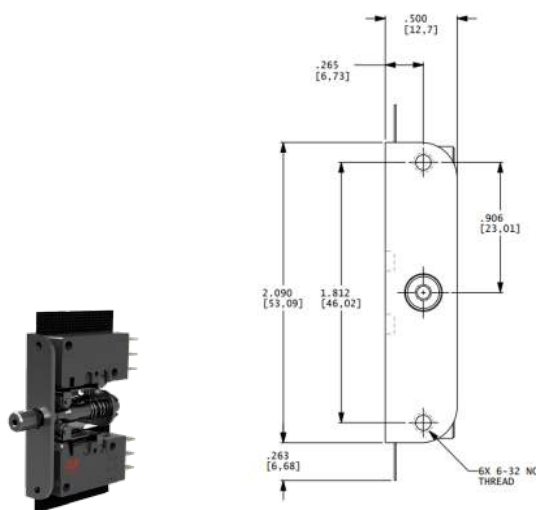


SL Series Sealed Interlock Door Switches

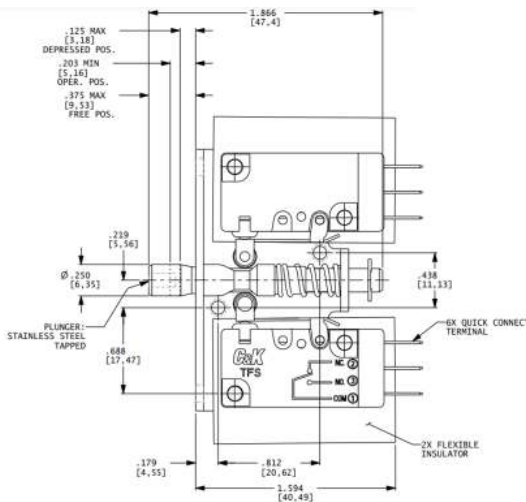
NEW

MODEL

23SL WITH TWO SWITCHES



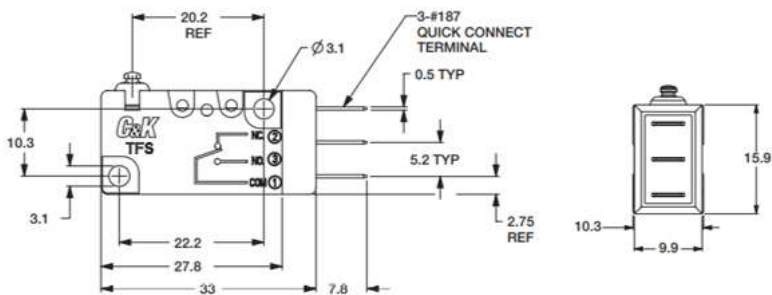
23SL404
SPDT



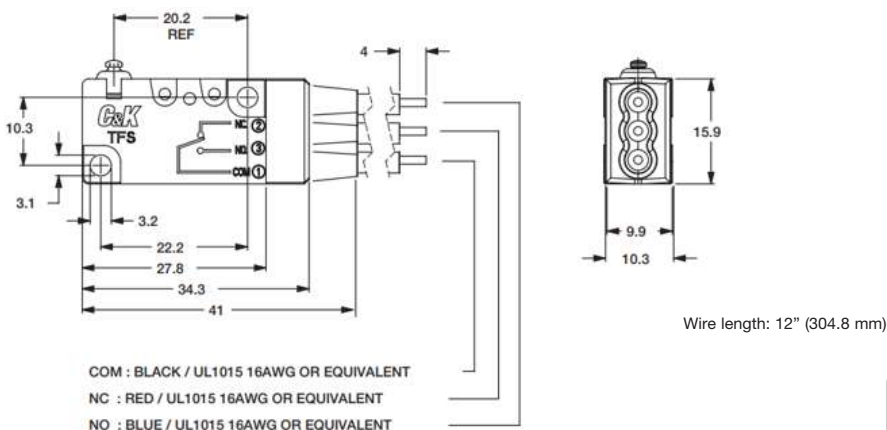
SWITCH CHARACTERISTICS	
OPERATING FORCE LBS MAX	8

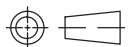
TERMINATIONS

40 0.187" QUICK CONNECT



W WIRE UL1015



 Third Angle
Projection
Dimensions are shown: Inches (mm)
Specifications and dimensions subject to change

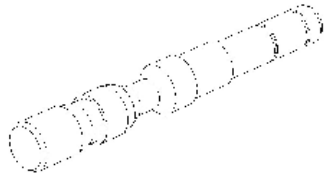


NEW

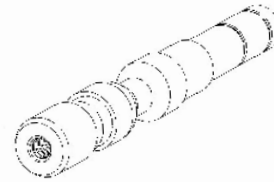
SL Series Sealed Interlock Door Switches

PLUNGERS

2 STAINLESS STEEL, NOT TAPPED



4 STAINLESS STEEL, TAPPED 4-40 X 0.375 (9.52) MIN. DEPTH



ELECTRICAL RATING

- 01** 0.1A @ 125/250 VAC OR 30VDC
- 03** 3A @ 125/250 VAC OR 30VDC
- 06** 6A @ 125/250 VAC OR 30VDC
- 10** 10A @ 125/250 VAC OR 5A@ 30VDC

Electrical Rating Code	AMPS	Wire Type 16AWG
01	0.1	.
03	3	.
06	6	.
10	10	.



Snap-acting