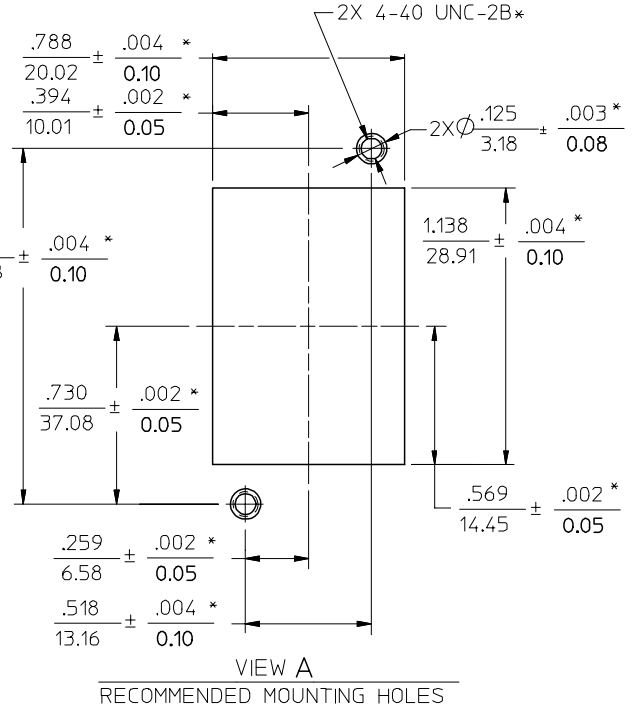
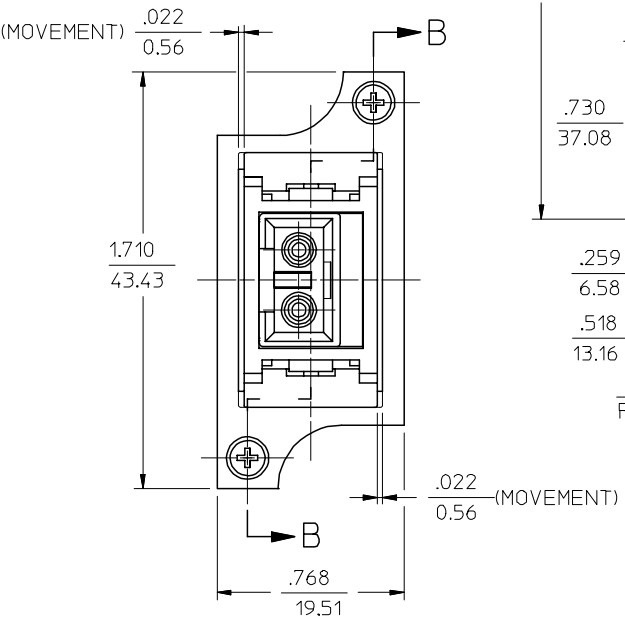
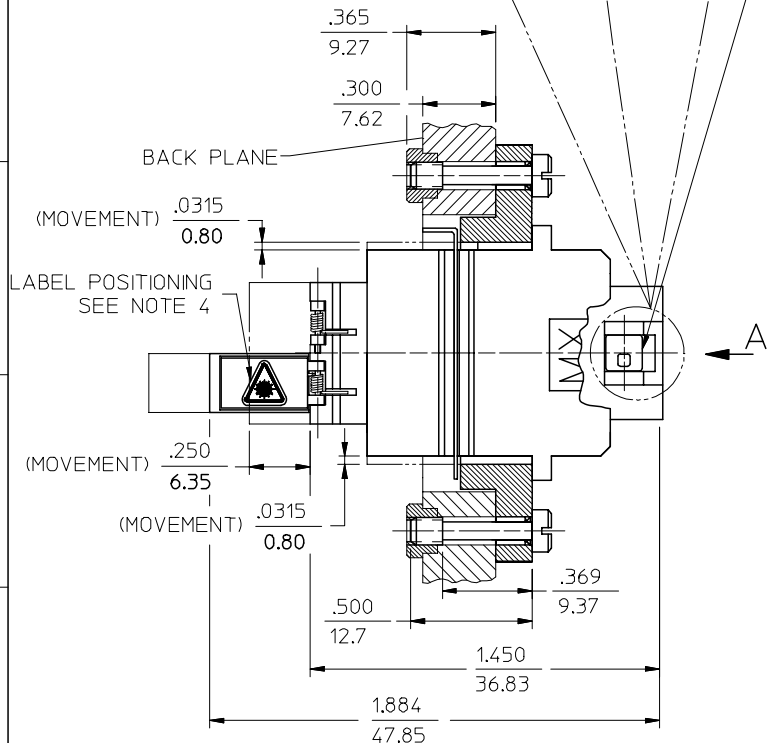
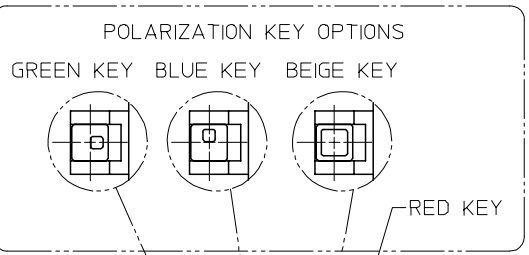


BLC ADAPTER P/N	SPLIT SLEEVE MATERIAL	COLOR
106145-2200	Ph. Bronze	BLACK
106145-2100	Zr	BLACK
106145-2500		GREEN



- NOTES:
- ALL DIM. ARE FOR REFERENCE ONLY, EXCEPT WHEN MARKED WITH (*).
 - POLARIZATION KEYS AND LABELS ARE PACKED UNASSEMBLED WITH ADAPTER ASSEMBLY IN POLY BAG.
 - ADHESIVE LABELS TO BE POSITIONED ON LC DOORS BY USER. THE ORIENTATION OF THE LABELS SHOULD BE SUCH THAT THE LASER WARNING SYMBOL IS EASILY IDENTIFIED.

ENTER DESCRIPTION EC NO: MF2006-0307 DRW: PGIBL IN CHKD: 2005/12/01 APPR: IGUMIN 2005/12/01	QUALITY SYMBOLS 	GENERAL TOLERANCES (UNLESS SPECIFIED)		DIMENSION STYLE	SCALE	DESIGN UNITS	THIRD ANGLE PROJECTION		
				IN/MM	2:1	INCH			
		4 PLACES	3 PLACES	2 PLACES	1 PLACE	DRAWN BY		DATE	TITLE
		± ---	± ---	± ---	± ---	PGIBL IN		2005/10/21	BLC ADAPTER ASSEMBLY (2 POSITION)
				APPROVED BY	DATE				
				ANGULAR ±1/2°					
				DRAFT WHERE APPLICABLE MUST REMAIN WITHIN DIMENSIONS					
				MATERIAL NO.	DOCUMENT NO.				
				SEE TABLE	SD-106145-2X00				
				SIZE	THIS DRAWING CONTAINS INFORMATION THAT IS PROPRIETARY TO MOLEX INCORPORATED AND SHOULD NOT BE USED WITHOUT WRITTEN PERMISSION		SHEET NO.		
				B			1 OF 01		