



# 1842 MHz Cavity Bandpass Filter

Part Number: AB1842B752



**ANATECH ELECTRONICS INC**  
RF & Microwave Filters & Products

## Electrical specifications

**Passband:** 1805-1880 MHz  
**Center frequency:** 1842.5 MHz  
**Insertion loss @ CF:** 0.5 dB max  
**Return loss:** 15 dB  
**Attenuation:** >70 dB @ Fc+/- 70 MHz  
**Power Handling:** 40W CW

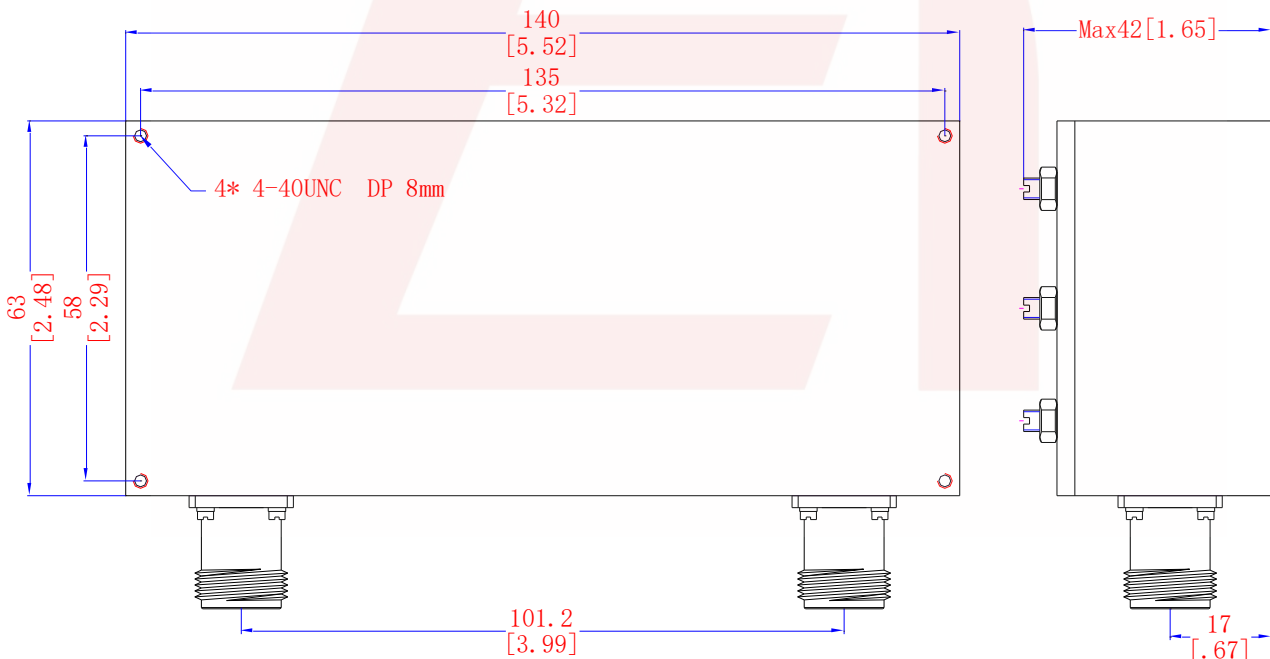
## Mechanical

**Mounting Method:** Threaded Mounting Holes  
**Connector Type:** N-type Female  
**Dimensions:** 5.52 x 2.48 x 1.65 in

## Environmental

**Operating Temperature:** -45 to +85° C  
**Storage Temperature:** -55 to +95° C  
**Shock:** 20 G. 11ms  
**Vibration:** 20 G. 5 to 200 MHz

## Outline Drawing:



DS-B752-10082020-Rev1



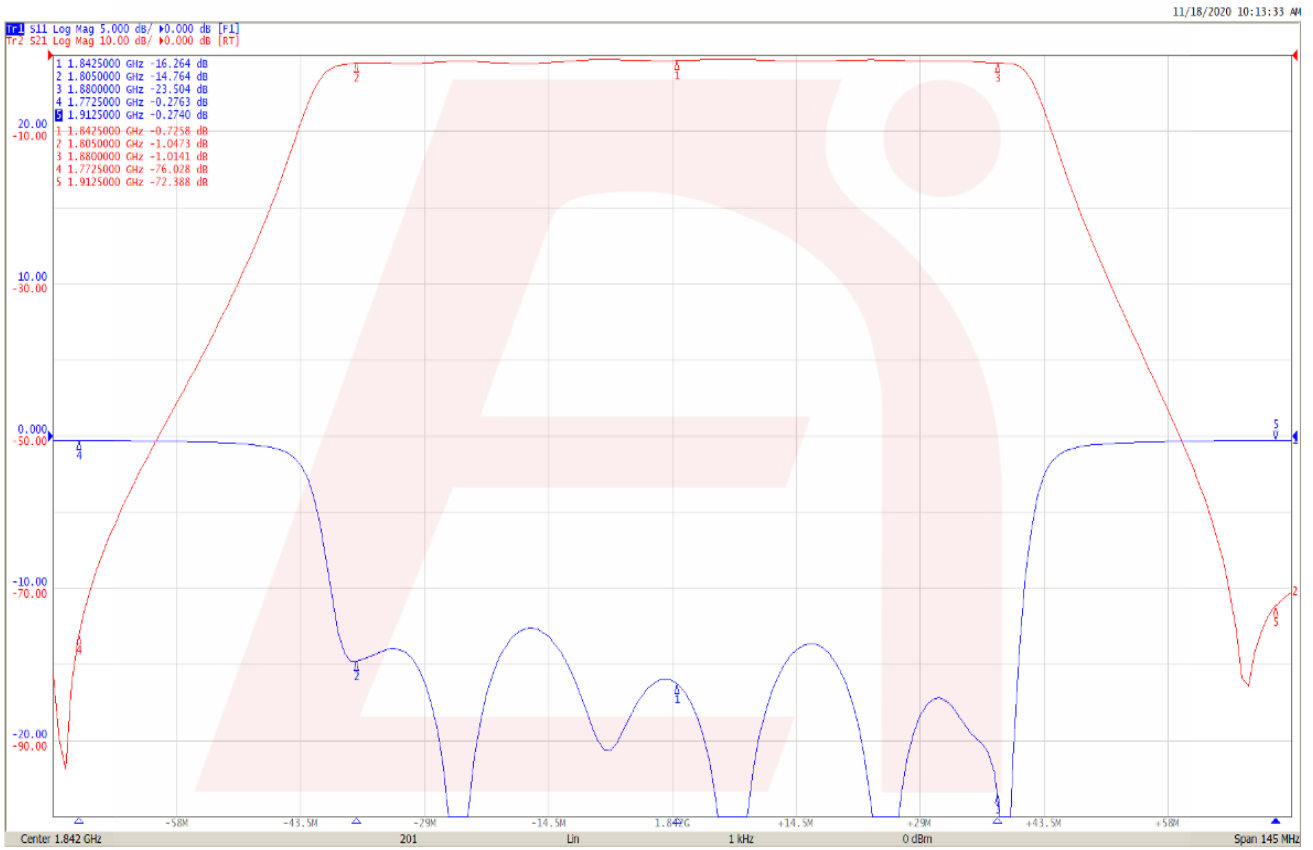
**ANATECH ELECTRONICS INC**  
RF & Microwave Filters & Products

# 1842 MHz Cavity Bandpass Filter

Part Number: AB1842B752



## Response Plot:



DS-B752-10082020-Rev1