

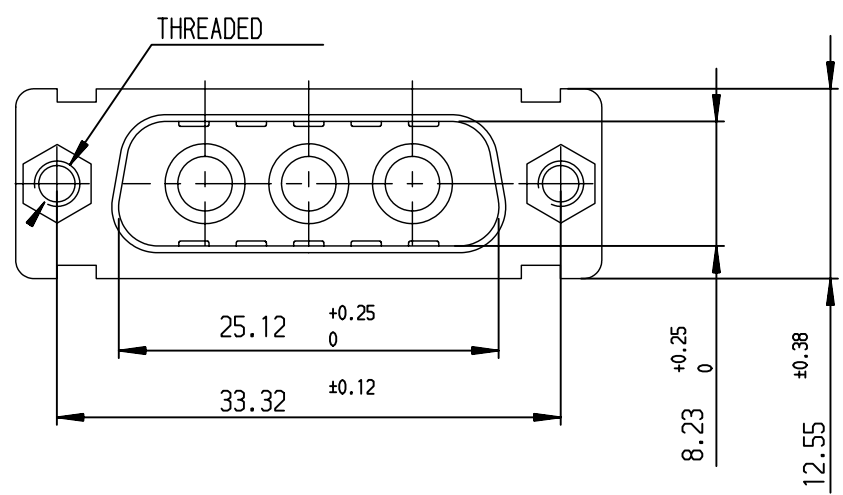
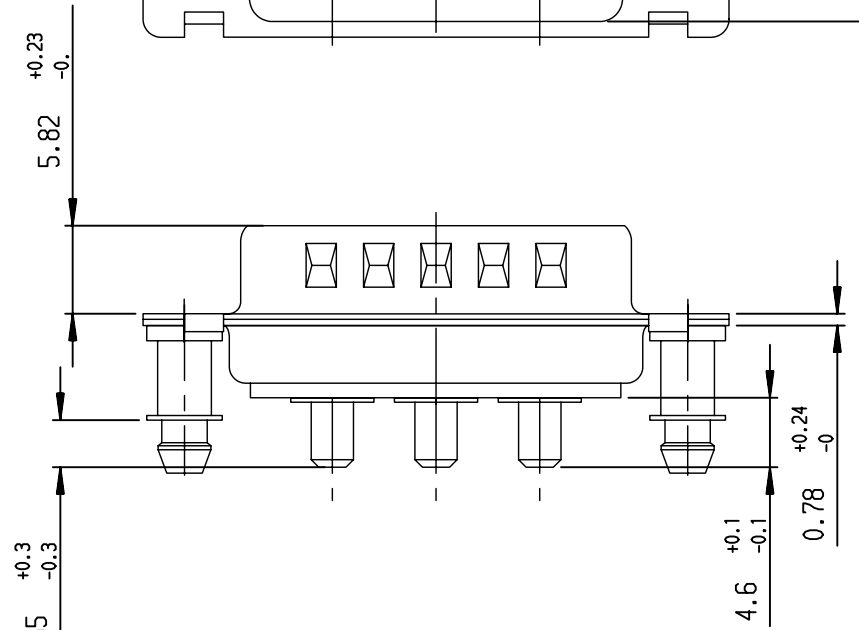
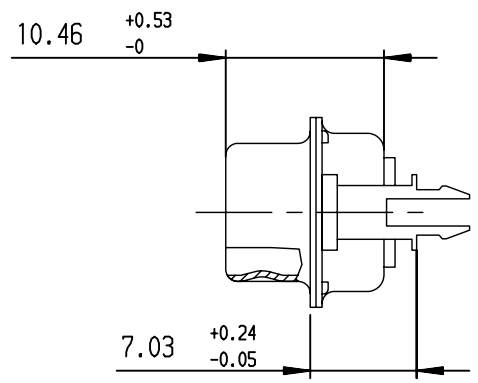
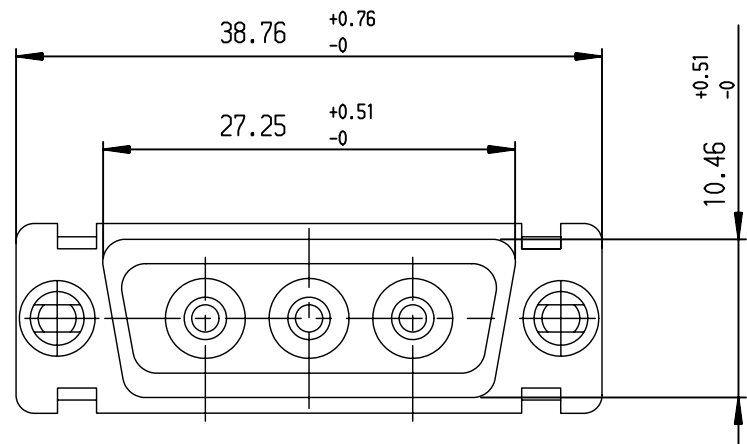
1

2

3

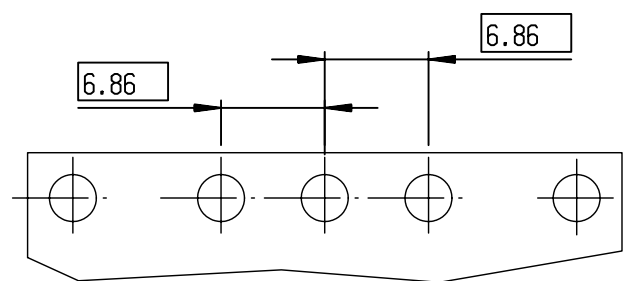
4

GENERAL CHARACTERISTICS : SEE DRAWING C01-8639-0001



DA03W3P300G40	UNC 4.40
DAL3W3P300G40	M3
PART NUMBER	Threaded A

LAYOUT DIMENSIONS (after plating)
CONNECTOR SIDE VIEW



European Views

www.fciconnect.com		surface ISO 1302 ✓	tolerance std ISO 406 ISO 1101	projection mm
TOLERANCES UNLESS OTHERWISE SPECIFIED				
Dr	JARRY	1997/04/11	ANGULAR	0.X ±0.1
Eng	JARRY	1997/04/11	LINEAR	0.XX ±0.1
Chr	M PESSON	1997/04/11	0.XX' ±2'	0.XXX ±0.1
Appr	M PESSON	1997/04/11	Product family	D-SUB
title PIN CONNECTOR SUB D WITH POWERS CONTACTS				size A3
catalog no				Scale 2
dwg no C01-8639-1516				ECN LS06-0208
Rev. D				Spec ref -
CUSTOMER				sheet 1 of 1

rev	ecn no	dr	date
C	-	BAR	2003/11/07
D	LS06-0208	LGO	2006/12/12
-	-	-	-
-	-	-	-
-	-	-	-
-	-	-	-



Copyright FCI.