

CA-16P1N129006 - Coupler connector



1620128

<https://www.phoenixcontact.com/us/products/1620128>

Please be informed that the data shown in this PDF document is generated from our online catalog. Please find the complete data in the user documentation. Our general terms of use for downloads are valid.



M23, Coupler connector, series: CA, straight, shielded: yes, for standard and SPEEDCON interlock, No. of pos.: 16, Direction of rotation: Standard, contact connection type: Pin, Solder connection, cable diameter range: 4 mm ... 6 mm, coding: N, Alternative product in accordance with RoHS II without Exemption 6c (Pb <0.1%) item no.: 1244018

Your advantages

- Safe use in the field, thanks to high degree of protection
- Connector for flexible on-site assembly
- Consistent EMC protection for reliable transmission of signals
- Solder connection: proven connection technology for various litz wires

Commercial data

Item number	1620128
Packing unit	1 pc
Minimum order quantity	1 pc
Note	Made to order (non-returnable)
Sales key	AB33
Product key	ABRAEG
GTIN	4046356819169
Weight per piece (including packing)	97.5 g
Weight per piece (excluding packing)	93.885 g
Customs tariff number	85366990
Country of origin	DE

CA-16P1N129006 - Coupler connector



1620128

<https://www.phoenixcontact.com/us/products/1620128>

Technical data

Product properties

Product type	Circular connector (cable-side)
--------------	---------------------------------

Connector

Insulating body

Coding	N
Insulation body material	PBT
Contact material	CuZn
Contact surface material	Ni/Au
Insertion/withdrawal cycles	100
Connection method	Solder connection
Contact switching type	Pin
Application	Signal
Number of positions	16
Direction of rotation	Standard
Connection profile	16
Rated voltage	48 V AC 74 V DC
Rated surge voltage	1.5 kV
Overvoltage category	III
Degree of pollution	3
Contact diameter Signal contacts	1 mm
Litz wire cross-section Signal contacts max.	1 mm ²
Nominal current per signal contact	8 A

Housing

Housing material	Turned parts: copper zinc alloy (CuZn), die-cast parts: zinc (GD-Zn)
Type of locking	for standard and SPEEDCON interlock
Pg screw connection	none
Degree of protection (plugged in)	IP67
Thread type	M23

Seal

External cable diameter	4 mm ... 6 mm
Seal material	NBR

Environmental and real-life conditions

Ambient conditions

Ambient temperature (operation)	-40 °C ... 125 °C
---------------------------------	-------------------

CA-16P1N129006 - Coupler connector

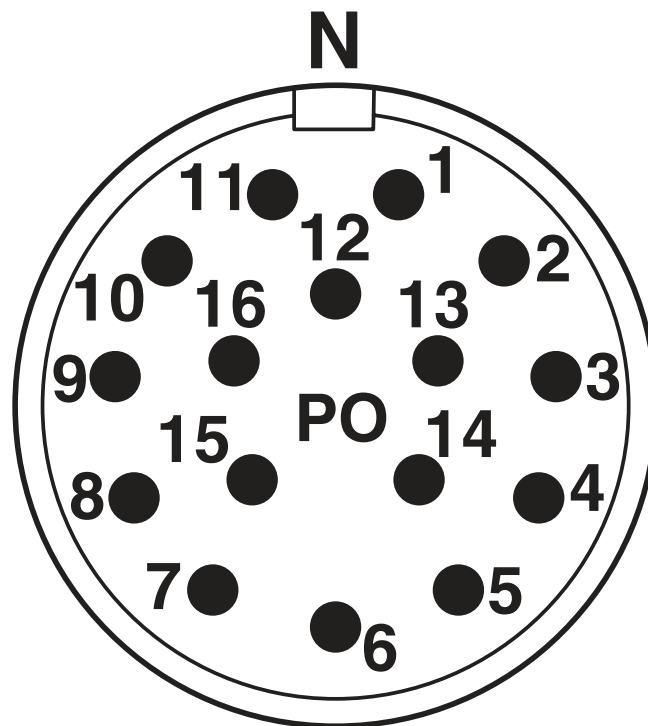


1620128

<https://www.phoenixcontact.com/us/products/1620128>

Drawings

Schematic diagram

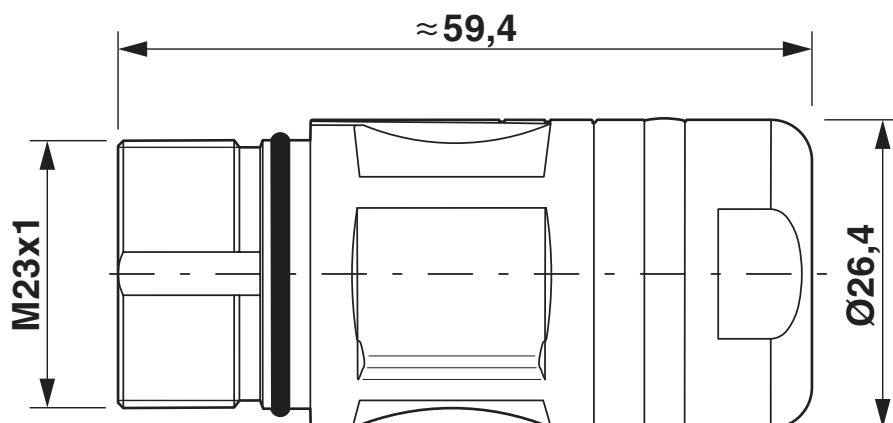


CA-16P1N129006 - Coupler connector

1620128

<https://www.phoenixcontact.com/us/products/1620128>

Dimensional drawing



CA-16P1N129006 - Coupler connector





1620128

<https://www.phoenixcontact.com/us/products/1620128>

Approvals

To download certificates, visit the product detail page: <https://www.phoenixcontact.com/us/products/1620128>

 cUL Recognized Approval ID: E335019-20141210				
	Nominal voltage U_N	Nominal current I_N	Cross section AWG	Cross section mm^2
	48 V	5 A	- 18	-

 UL Recognized Approval ID: E335019-20141210				
	Nominal voltage U_N	Nominal current I_N	Cross section AWG	Cross section mm^2
	48 V	8 A	- 18	-

cULus Recognized				
-------------------------	--	--	--	--

CA-16P1N129006 - Coupler connector



1620128

<https://www.phoenixcontact.com/us/products/1620128>

Classifications

ECLASS

ECLASS-11.0	27440102
ECLASS-12.0	27440116
ECLASS-13.0	27440116

ETIM

ETIM 8.0	EC002635
----------	----------

UNSPSC

UNSPSC 21.0	39121400
-------------	----------

CA-16P1N129006 - Coupler connector



1620128

<https://www.phoenixcontact.com/us/products/1620128>

Environmental product compliance

REACH SVHC	Lead 7439-92-1
China RoHS	Environmentally Friendly Use Period = 50 years
	For information on hazardous substances, refer to the manufacturer's declaration available under "Downloads"

CA-16P1N129006 - Coupler connector

1620128

<https://www.phoenixcontact.com/us/products/1620128>

Accessories

SF-Z0019 - Protective cap

1607449

<https://www.phoenixcontact.com/us/products/1607449>



Plastic protection cap, with eye, IP40 for connectors with M23 external thread, RF, SF series

RC-Z2059 - Protective cap

1604225

<https://www.phoenixcontact.com/us/products/1604225>



Plastic protection cap for connectors with M23 external thread

CA-16P1N129006 - Coupler connector

1620128

<https://www.phoenixcontact.com/us/products/1620128>

RC-Z2469 - Protective cap

1611797

<https://www.phoenixcontact.com/us/products/1611797>



Plastic protection cap, antistatic, for RF, SF, CA, RC series connectors, with M23 external thread

RF-Z0014 - Color-coding

1620588

<https://www.phoenixcontact.com/us/products/1620588>

Color-coding, color: green



CA-16P1N129006 - Coupler connector

1620128

<https://www.phoenixcontact.com/us/products/1620128>



RF-Z0015 - Color-coding

1620592

<https://www.phoenixcontact.com/us/products/1620592>

Color-coding, color: orange



RF-Z0016 - Color-coding

1620593

<https://www.phoenixcontact.com/us/products/1620593>

Color-coding, color: black



CA-16P1N129006 - Coupler connector

1620128

<https://www.phoenixcontact.com/us/products/1620128>



RF-Z0003 - Square mounting flange

1607905

<https://www.phoenixcontact.com/us/products/1607905>



Square mounting flange, Axial seal, 4xM3, flange dimensions: 35 mm x 35 mm, series: RF, Alternative product in accordance with RoHS II without Exemption 6c (Pb <0.1%) item no.: 1242369

Phoenix Contact 2023 © - all rights reserved

<https://www.phoenixcontact.com>

Phoenix Contact USA
586 Fulling Mill Road
Middletown, PA 17057, United States
(+717) 944-1300
info@phoenixcon.com