

10 9 8 7 6 5 4 3 2 1

F

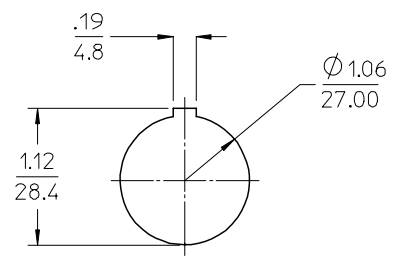
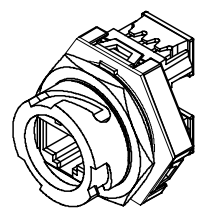
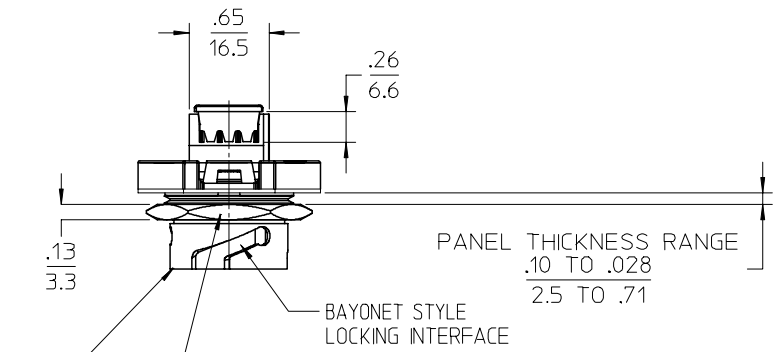
E

D

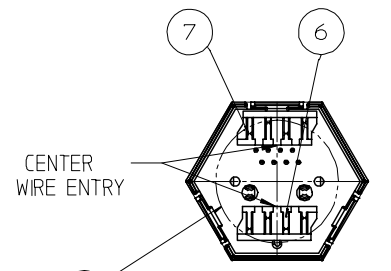
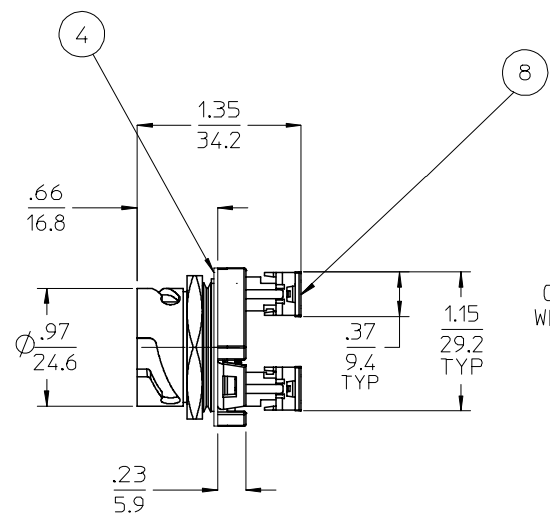
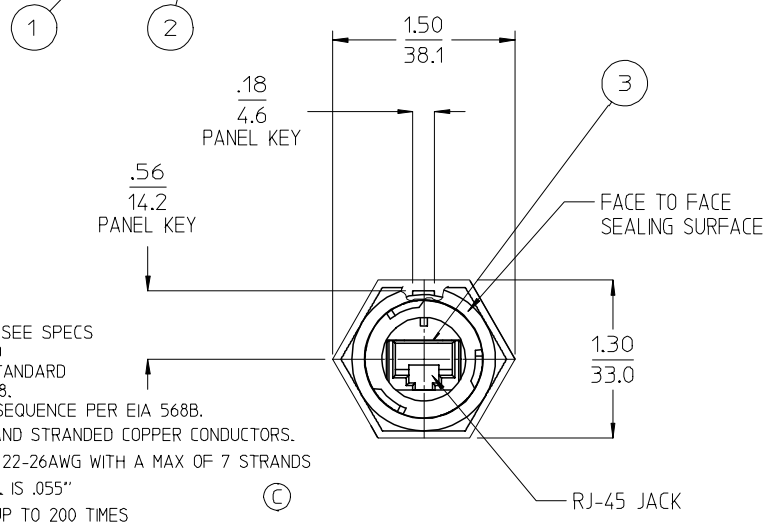
C

B

A



KNOCK OUT SIZE



- REAR -  
STUFFER CAP  
REMOVED FOR CLARITY

NOTES:

1. MATERIAL: SEE TABLE
2. FINISHES: SEE TABLE
3. PRODUCT SPECIFICATION: SEE SPECS
4. PACKAGING: AS REQUIRED
5. MATES WITH: INDUSTRY STANDARD
6. FORMERLY SD-84702-0008.
7. WIRING POLARIZATION & SEQUENCE PER EIA 568B.
8. COMPATIBLE WITH SOLID AND STRANDED COPPER CONDUCTORS.
9. CONDUCTOR RANGES ARE 22-26AWG WITH A MAX OF 7 STRANDS PER BUNDLE. LIMITING O.D. IS .055"
10. CAN BE RETERMINATED UP TO 200 TIMES

9	A/R	POTTING COMPOUND (NOT SHOWN)	EPOXY	BLACK
8	2	STUFFER CAP (MPN #201-345)	THERMOPLASTIC	WHITE
7	1	PUNCHDOWN BLOCK	THERMOPLASTIC	WHITE
6	1	PUNCHDOWN BLOCK	THERMOPLASTIC	WHITE
5	1	PCB	FR-4	GREEN
4	1	PANEL GASKET	NEOPRENE	BLACK
3	1	RJ-45 JACK W/PCB MTG	POLYESTER	BLACK
2	1	LOCK NUT	POLYESTER	BLACK
1	1	RECEPTACLE HOUSING	POYESTER	BLACK
ITEM	QTY.	DESCRIPTION	MATERIAL	FINISH

ADDED NOTES 8.9.10	QUALITY SYMBOLS
EC NO: ETC2006-0133	▽=0
DRWN:SRADLEY 2005/12/17	▽=0
CHKD:RSTONE 2005/12/19	
APPR:RDEROSS 2005/12/16	
DESCRIPTION	
REV	

GENERAL TOLERANCES (UNLESS SPECIFIED)
4 PLACES ± --- ± ---
3 PLACES ± --- ± .005
2 PLACES ± 0.13 ± .01
1 PLACE ± 0.13 ± ---
ANGULAR ± 2 °
DRAFT WHERE APPLICABLE MUST REMAIN WITHIN DIMENSIONS

DIMENSION STYLE IN/MM	
DRAWN BY	DATE
S. GILBERT	03/07/30
CHECKED BY	DATE
P. WAITZ	03/11/20
APPROVED BY	DATE
GHR	04/03/08
MATERIAL NO.	DOCUMENT NO.
847020008	SD-84702-005
SIZE B	THIS DRAWING CONTAINS INFORMATION THAT IS PROPRIETARY TO MOLEX INCORPORATED AND SHOULD NOT BE USED WITHOUT WRITTEN PERMISSION

SCALE 4:1	DESIGN UNITS INCH	THIRD ANGLE PROJECTION
TITLE		
PANEL MTG. RECEPTACLE RJ-45 PUNCHDOWN CIC FULLY POTTED ETHERNET		
MOLEX INCORPORATED		
DOCUMENT NO. SD-84702-005		SHEET NO. 1 OF 1

9 8 7 6 5 4 3 2 1