

Ratings

Voltage: 600 V
 Temperature: -40~105 °C
 Flammability: VW-1

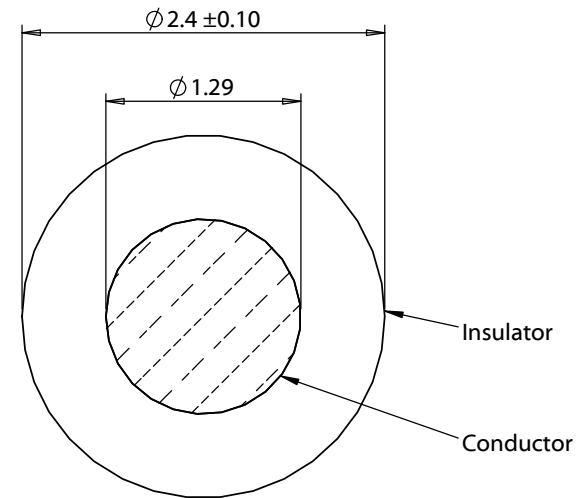
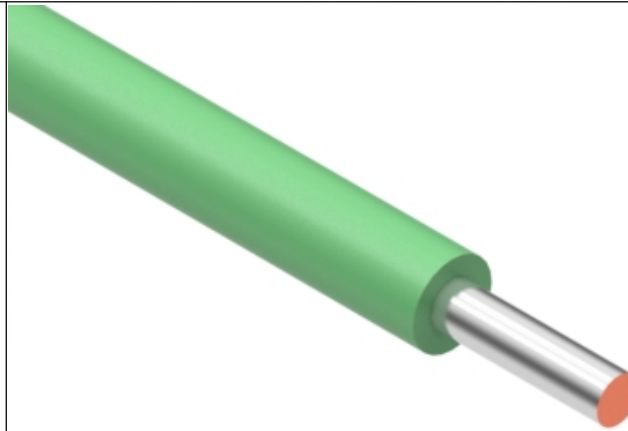
Conductor

Conductor count: 1
 Gauge: 16 AWG 1.31 mm²
 Material: tinned copper
 Strand size: \varnothing 1.29 mm (solid)
 Resistance at 20 °C: 14 Ω /km max

Insulator

Material: Polyphenylene Ether, Modified (mPPE)
 Color: green
 Diameter: \varnothing 2.4 \pm 0.10 mm
 Nominal thickness: 0.52 mm
 Resistance at 20 °C: 100 M Ω /km min

Wire marking: E339579 UL AWM STYLE 11028 16 AWG 105°C
 600V VW-1 --- cUL AWM I A/B 105°C 600V FT1 TENSILITY



Revision:	Date:	Description:	Prepared:	Notes:	TENSILITY tel 1.541.323.3228 800 877.670.7118 fax 1.541.323.4202 web tensility.com
A	6/2/2021	Initial release	AW <small>Digitally signed by AW Date: 2021.06.03 11:25:33 -07'00'</small>	RoHS compliant	
			Verified:	Phthalate and halogen free	Size: Part number: A 30-02057
			JC <small>Digitally signed by JC Date: 2021.06.04 14:28:48 -07'00'</small>	Description:	
			Dimensions are in millimeters. Tolerances: X: \pm 0.5 mm X.X: \pm 0.3 mm X.XX: \pm 0.05 mm	Wire, hook-up, tinned solid core, 16 AWG, UL 11028, 600V, 105C, 2.4 mm, mPPE, green	Scale: 20:1
					Sheet 1 of 1

5

4

3

2

1